



PARTS CATALOGUE

05/05/2011

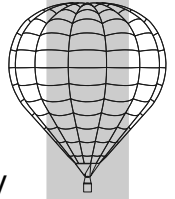
(issue 6)

DEALER



ULTRAMAGIC,S.A.
Aerodrom Igualada-Odena
08700 IGUALADA (SPAIN)
tel: +34 93 8042202
fax: +34 93 8035604
e-mail : admin@ultramagic.com

All prices are ex works in Euros and are subject to VAT where applicable.
Prices subject to change without notice.



INTRODUCTION

This Ultramagic Balloon Parts Catalogue has been designed to help you to easily recognise parts that you may need for your Ultramagic Balloon. Balloon parts should always be fitted in accordance with the appropriate Maintenance Manual. Information on who is authorised to carry out work on your balloon is contained in the Maintenance Manual or will be determined by your local aviation authority. However should you have any queries whatsoever then please contact your dealer or Ultramagic Factory Customer Services Department who will be only too pleased to help.

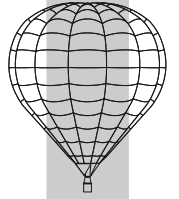
Each item in this catalogue has a dedicated Ultramagic catalogue number and where required a part number. These numbers should always be quoted when ordering. Should you require an item, which is not included in this catalogue, then please call your dealer or the factory for further assistance. Always use the part number when ordering quoting also the balloon type and serial number.

Please note: this catalogue and its illustrations have been compiled for the sole purpose of assisting identification and ordering spare parts and accessories. Ultramagic can accept no responsibility for the incorrect identification of parts. Ultramagic reserve the right to change, substitute or delete parts identified in this catalogue without prior notice. Certain parts shown may have to be ordered especially and may not be held in stock.

Please note: that because of various regulations certain items in this catalogue will only be supplied to approved repair stations. Also certain items may only be available to special order. Such items are shown in the price list column by the letters POA which means price on application.

See the following pages for a list of the sections with explanations of how to read and recognise the catalogue numbers.

Catalogue Sections



***SECTION 1
ENVELOPE MATERIALS**

SUBSECTION	CATALOGUE NUMBER SUFFIX:
FABRIC	ENV F
NOMEX	ENV N
LOAD TAPE	ENV T
CORDURA	ENV CO
REPAIR TAPE	ENV R
VELCRO	ENV V
THREAD	ENV TH
ROPES	ENV R
COMPONENTS	ENV C Photographs
WIRES	ENV W

***SECTION 2: MK-21 BURNER PARTS**

CATALOGUE NUMBER SUFFIX: **BU21**

This section has drawings with a figure number showing each part. To easily identify a part, the catalogue number consists of BU21 followed by the figure number and then the item number from the drawing.

***SECTION 2B:
POWERPLUS MAXI BURNER PARTS**

CATALOGUE NUMBER SUFFIX: **PPM**

***SECTION 2B:
POWERPLUS SPORT DOUBLE BURNER PARTS**

CATALOGUE NUMBER SUFFIX: **PPD**

***SECTION 3: MK-21 SINGLE BURNER PARTS**

CATALOGUE NUMBER SUFFIX: **BU21S**

This section uses the same catalogue number system as section 2 - MK21. Where parts are not listed in section 3 it means they are common to the standard MK21 double burner and can be found in section 2.

***SECTION 3B:
POWERPLUS SPORT SINGLE BURNER PARTS**

CATALOGUE NUMBER SUFFIX: **PPS**

Where parts are not listed in section 3B it means they are common to the standard PowerPlus Mini Double burner and can be found in section 2B MINI.

***SECTION 4: HOSES AND FITTINGS**

CATALOGUE NUMBER SUFFIX: **HF**

NOTE: Catalogue items HF-01 to HF-18 consist of various hoses with or without cylinder connections. The exact length of the hose required must also be quoted as well as the type using the catalogue number.

***SECTION 5: LOAD FRAME**

CATALOGUE NUMBER SUFFIX: **LF**

***SECTION 6: CYLINDER PARTS**

CATALOGUE NUMBER SUFFIX: **C**

***SECTION 7: BASKET PARTS**

CATALOGUE NUMBER SUFFIX: **BA**

***SECTION 8: MK10 BURNER PARTS**

CATALOGUE NUMBER SUFFIX: **BU10**

***SECTION 9: FAN PARTS**

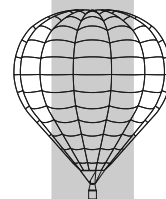
CATALOGUE NUMBER SUFFIX: **F**

***SECTION 10: SOLO / DUO PARTS**

CATALOGUE NUMBER SUFFIX: **SL / DU**

***SECTION A: ACCESSORIES**

CATALOGUE NUMBER SUFFIX: **AC**



1
E
N
V
E
L
O
P
E
M
A
T
E
R
I
A
L
S



ENV C-1 Karabiner Stubai 3000 kg



ENV C-2 Pulley small - 1SH



ENV C-4 Quick link 4mm - parachute



ENV C-5 Quick link 5mm - FDS



ENV C-6 St Stl Ring - FDS& Vents



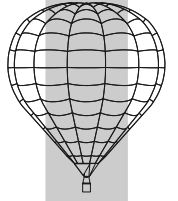
ENV C-7 Pulley Vents st stl



ENV C-20 Pulley medium 4SH



ENV C-21 Pulley big st stl



1
E
N
V
E
L
O
P
E

M
A
T
E
R
I
A
L
S



ENV C-8 SS Spring Hook - Control lines



ENV C-9 Aluminium Karabiner - Scoop



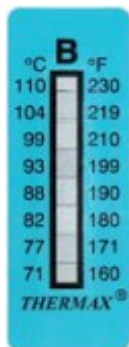
ENV C-10 Plated quick link - Scoop



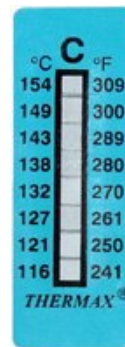
ENV C-11 SS Karabiner link ring
Machined



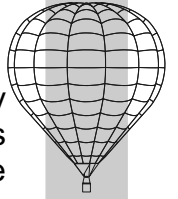
ENV C-12 Temperature flag and link



ENV C-13 Temp tag B



ENV C-14 Temp tag C

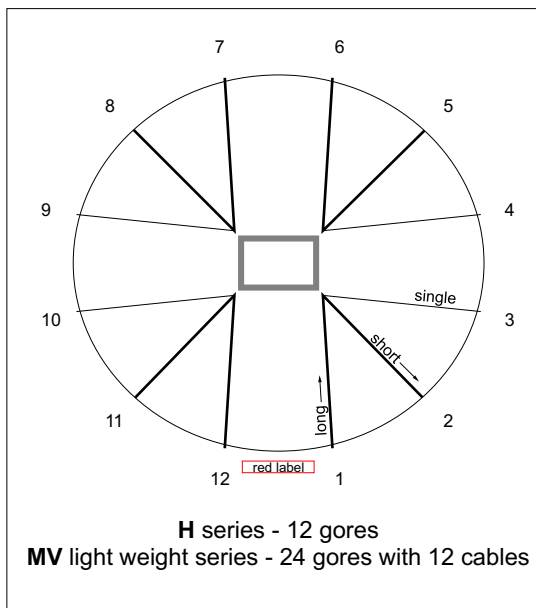


Envelope wires

Special care should be taken when ordering envelope flying wires, as lengths vary depending on the position on the envelope. However there are 4 identical sets of wires on each envelope terminating at each corner of the load frame. The exception to this rule is where an 8 pole system is used with larger baskets/envelope combinations but there are still 4 sets of wires around the envelope. The wires can be a single wire or consist of a pair, again depending on the position on the envelope wire. Where the wire to be replaced is part of a pair then both parts must be replaced.

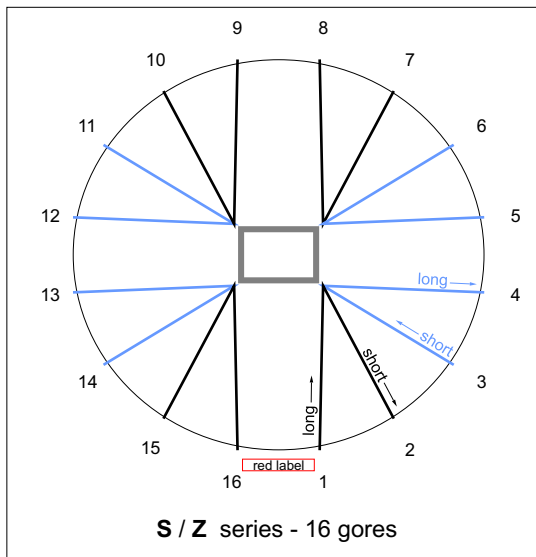
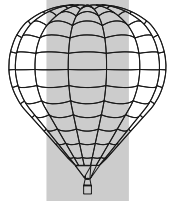
The following information must be given when ordering wires making use of the following drawings.

1. Envelope size
2. Envelope type
3. Envelope serial number
4. Burner frame type
5. Wire number or numbers (Using drawings below)
6. State whether the wire is single or one of pair.
7. Length of wire measuring from inside of eyelet to eyelet with wire fully stretched.
8. Part number for pricing.
9. **Special Note:** Where wires are to be fitted by means of “quick links”, a special note should be made of this when ordering.



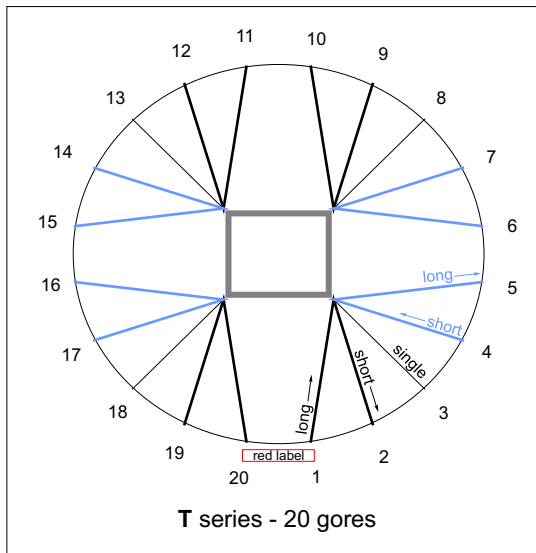
Most suitable envelopes:

- * QSQ0 650x500: H-31, H-42, M-42
- * QSQ2 700x530: H-56, H-65, H-77
MV-56, MV-65
- * QM2 750x750: H-56, H-65, H-77



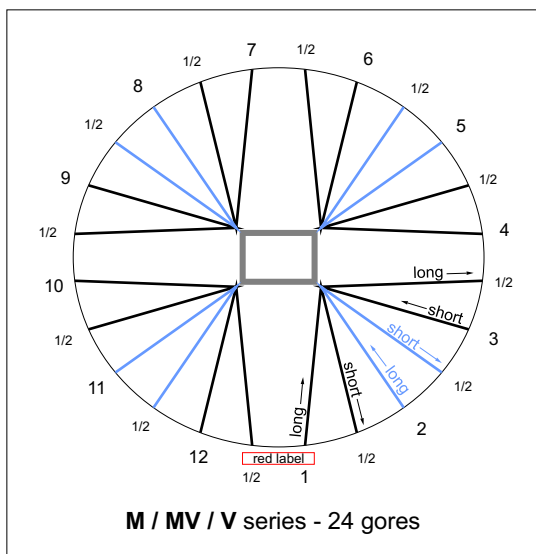
Most suitable envelopes:

- * QSQ2 700x520: S-90
- * QSQ3 800x700: S-90, S-105, S-130
Z-90
- * QSQ7 980x880: S-130, S-160
- * QM2 750x750: S-90, S-130
- * QM3 1000x1000: S-130



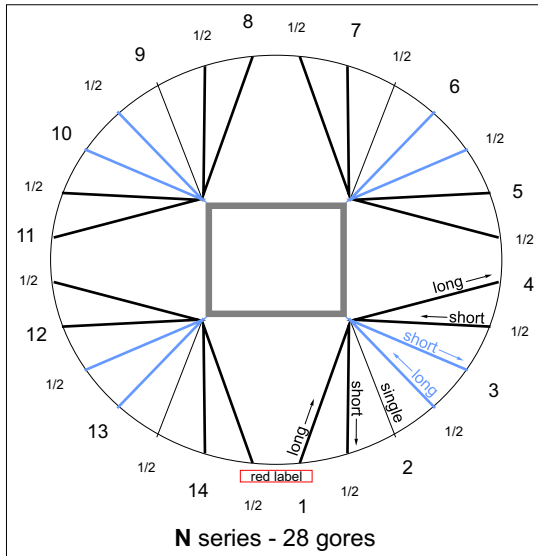
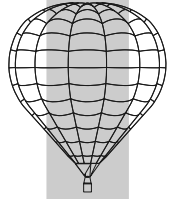
Most suitable envelopes:

- * QSQ7 980x880: T-150, T-180
- * QSQ4 1180x1060: T-180, T-210
QM3L
- * QM3 1000x1000: T-180
- * QM4 1000x1500: T-180



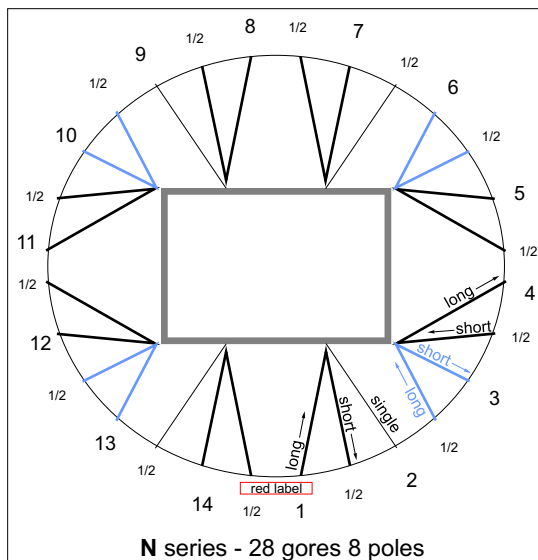
Most suitable envelopes:

- * QSQ2 700x530: M-56, M-65, M-77, M-90, M-105
MV-56, MV-65, MV-77
V-56, V-65, V-77, V-90, V-105
- * QSQ3 800x700: M-77, M-90, M-105, M-120, M-130
V-90, V-105
- * QSQ7 980x880: M-105, M-120, M-130, M-145, M-160
- * QSQ4 1180x1060: M-105, M-120, M-130, M-145, M-160
QM3L
- * QM2 750x750: M-56, M-65, M-77, M-90, M-105
MV-56, MV-65, MV-77
V-56, V-65, V-77, V-90, V-105
- * QM3 1000x1000: M-145



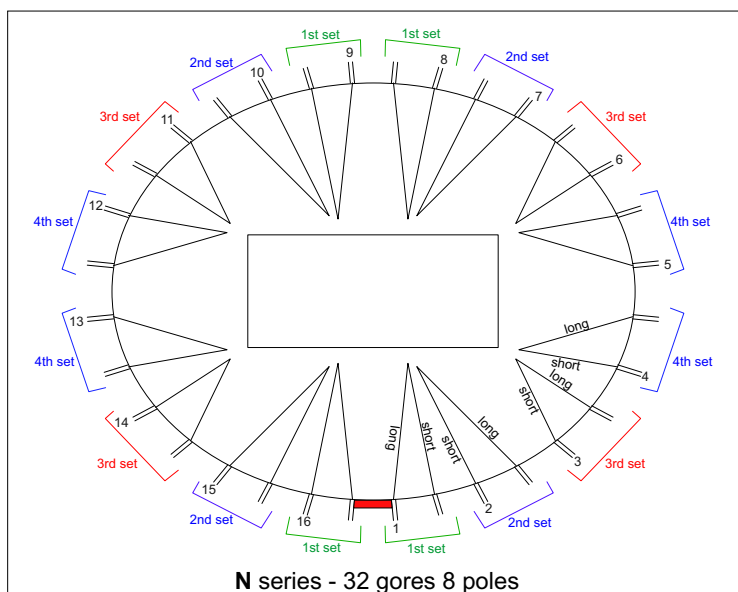
Most suitable envelopes:

- * QSQ7 980x880: N-180
- * QSQ4 1180x1060: N-180
QM3L N-210, N-250, N-300, N-355
- * QSQ6 1600x1350: N-250, N-300, N-355
- * QM3 1000x1000: N-180, N-210, N-250
- * QM4 1000x1500: N-250



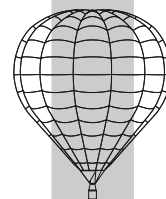
Most suitable envelopes:

- * QSQ8 2000x1350: N-300, N-355, N-425
QM5L

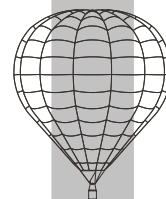


Most suitable envelopes:

- * QM6 3000x1400: N-500

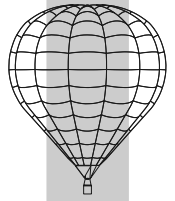


Cat. no.	Part Number	Description	Unit
ENV F-1	EM-R4-0575	Rip stop fabric - white	1 metre
ENV F-5	EM-R4-0400	Rip stop fabric - black	1 metre
ENV F-6	EM-R4-0555	Rip stop fabric - steel grey	1 metre
ENV F-7	EM-R4-0380	Rip stop fabric - beige	1 metre
ENV F-8	EM-R4-0390	Rip stop fabric - yellow	1 metre
ENV F-9	EM-R4-0510	Rip stop fabric - sand	1 metre
ENV F-10	EM-R4-0420	Rip stop fabric - orange	1 metre
ENV F-11	EM-R4-0440	Rip stop fabric - red	1 metre
ENV F-12	EM-R4-0560	Rip stop fabric - wine	1 metre
ENV F-13	EM-R4-0550	Rip stop fabric - pink	1 metre
ENV F-14	EM-R4-0480	Rip stop fabric - magenta	1 metre
ENV F-15	EM-R4-0460	Rip stop fabric - sky blue (azure)	1 metre
ENV F-16	EM-R4-0430	Rip stop fabric - medium blue	1 metre
ENV F-17	EM-R4-0360	Rip stop fabric - royal blue	1 metre
ENV F-18	EM-R4-0470	Rip stop fabric - dark blue (navy)	1 metre
ENV F-19	EM-R4-0490	Rip stop fabric - lime green	1 metre
ENV F-20	EM-R4-0410	Rip stop fabric - green	1 metre
ENV F-21	EM-R4-0500	Rip stop fabric - bottle green (hollybush)	1 metre
ENV F-22	EM-R4-0570	Rip stop fabric - brown / gold	1 metre
ENV F-23	EM-R4-0030	Rip stop fabric - gold	1 metre
ENV F-24	EM-R4-0040	Rip stop fabric - silver	1 metre
ENV F-25	EM-R5-0465	Hyperlast fabric - white	1 metre
ENV F-27	EM-R5-0290	Hyperlast fabric - black	1 metre
ENV F-28	EM-R5-0470	Hyperlast fabric - steel grey	1 metre
ENV F-29	EM-R5-0420	Hyperlast fabric - beige	1 metre
ENV F-30	EM-R5-0280	Hyperlast fabric - yellow	1 metre
ENV F-31	EM-R5-0350	Hyperlast fabric - sand	1 metre
ENV F-32	EM-R5-0270	Hyperlast fabric - orange	1 metre
ENV F-33	EM-R5-0250	Hyperlast fabric - red	1 metre
ENV F-34	EM-R5-0440	Hyperlast fabric - wine	1 metre
ENV F-35	EM-R5-0430	Hyperlast fabric - pink	1 metre
ENV F-36	EM-R5-0340	Hyperlast fabric - magenta	1 metre
ENV F-37	EM-R5-0320	Hyperlast fabric - sky blue (azure)	1 metre
ENV F-38	EM-R5-0260	Hyperlast fabric - royal blue	1 metre
ENV F-39	EM-R5-0370	Hyperlast fabric - dark blue (navy)	1 metre
ENV F-40	EM-R5-0300	Hyperlast fabric - lime green	1 metre
ENV F-41	EM-R5-0310	Hyperlast fabric - green	1 metre
ENV F-42	EM-R5-0360	Hyperlast fabric - bottle green (hollybush)	1 metre
ENV F-44	EM-R5-0010	Hyperlast fabric - silver	1 metre
ENV F-45	EM-R5-0400	Hyperlast fabric - medium blue	1 metre



Cat. no.	Part Number	Description	Unit
ENV N-1	EM-R3-0050	Nomex - white	1 metre
ENV N-2	EM-R3-0090	Nomex - black	1 metre
ENV N-3	EM-R3-0070	Nomex - grey	1 metre
ENV N-4	EM-R3-0080	Nomex - yellow	1 metre
ENV N-5	EM-R3-0110	Nomex - golden yellow	1 metre
ENV N-6	EM-R3-0100	Nomex - orange	1 metre
ENV N-7	EM-R3-0130	Nomex - red	1 metre
ENV N-8	EM-R3-0060	Nomex - wine	1 metre
ENV N-9	EM-R3-0010	Nomex - sky blue	1 metre
ENV N-10	EM-R3-0020	Nomex - royal blue	1 metre
ENV N-11	EM-R3-0040	Nomex - mid blue	1 metre
ENV N-12	EM-R3-0030	Nomex - navy blue	1 metre
ENV N-13	EM-R3-0120	Nomex - green	1 metre
ENV N-14	EM-R3-0140	Nomex - dark green	1 metre
ENV T-1	EM-03-0110	Vertical load tape 18mm white (M, MV, V, N<250)	1 metre
ENV T-2	EM-03-0130	Vertical load tape 18mm black (M, MV, V, N<250)	1 metre
ENV T-3	EM-03-0080	Vertical load tape 25mm white (H, S, T, N≥250)	1 metre
ENV T-4	EM-03-0090	Vertical load tape 25mm black (H, S, T, N≥250)	1 metre
ENV T-5	EM-03-0010	Ultramagic branded webbing - red	1 metre
ENV T-6	EM-03-0020	Ultramagic branded webbing - blue	1 metre
ENV T-7	EM-03-0050	Ultramagic branded webbing - black	1 metre
ENV T-8	EM-03-0060	Horizontal load tape 18mm - white	1 metre
ENV T-9	EM-03-0070	Horizontal load tape 18mm - black	1 metre
ENV T-10	EM-03-0125	Vertical load tape thin 18mm white (envelopes ≥56)	1 metre
ENV T-11	EM-03-0120	Vertical load tape thin 18mm black (envelopes ≥56)	1 metre
ENV CO-1	EM-R1-0010	Cordura - dark blue	1 metre
ENV CO-2	EM-R1-0040	Cordura - red	1 metre
ENV CO-3	EM-R1-0030	Cordura - black	1 metre
ENV CO-4	EM-R1-0020	Cordura - wine	1 metre
ENV CO-5	EM-R2-0030	Cordura - green	1 metre
ENV RT-6	EM-09-0050	fabric repair tape - white	4.5m
ENV RT-7	EM-09-0060	fabric repair tape - sky blue	4.5m
ENV RT-8	EM-09-0070	fabric repair tape - royal blue	4.5m
ENV RT-9	EM-09-0075	fabric repair tape - grey	4.5m
ENV RT-10	EM-09-0080	fabric repair tape - lemon yellow	4.5m
ENV RT-13	EM-09-0100	fabric repair tape - black	4.5m
ENV RT-15	EM-09-0120	fabric repair tape - orange	4.5m
ENV RT-16	EM-09-0130	fabric repair tape - green	4.5m
ENV RT-17	EM-09-0140	fabric repair tape - dark green	4.5m
ENV RT-18	EM-09-0150	fabric repair tape - red	4.5m

Cat. no.	Part Number	Description	Unit
ENV V-1	EM-07-0160	50mm velcro - white - soft	1 metre
ENV V-2	EM-07-0310	50mm velcro - white - hard	1 metre
ENV V-3	EM-07-0180	50mm velcro - black - soft	1 metre
ENV V-4	EM-07-0320	50mm velcro - black - hard	1 metre
ENV V-5	EM-07-0170	50mm velcro - yellow - soft	1 metre
ENV V-6	EM-07-0340	50mm velcro - yellow - hard	1 metre
ENV V-7	EM-07-0190	50mm velcro - red - soft	1 metre
ENV V-8	EM-07-0330	50mm velcro - red - hard	1 metre
ENV V-9	EM-07-0040	25mm velcro - white - soft	1 metre
ENV V-10	EM-07-0050	25mm velcro - sky blue - soft	1 metre
ENV V-11	EM-07-0070	25mm velcro - royal blue - soft	1 metre
ENV V-12	EM-07-0080	25mm velcro - wine - soft	1 metre
ENV V-13	EM-07-0090	25mm velcro - grey - soft	1 metre
ENV V-14	EM-07-0100	25mm velcro - lemon yellow - soft	1 metre
ENV V-15	EM-07-0110	25mm velcro - navy blue - soft	1 metre
ENV V-16	EM-07-0120	25mm velcro - black - soft	1 metre
ENV V-17	EM-07-0130	25mm velcro - orange - soft	1 metre
ENV V-18	EM-07-0140	25mm velcro - green - soft	1 metre
ENV V-19	EM-07-0150	25mm velcro - red - soft	1 metre
ENV V-20	EM-07-0200	25mm velcro - white - hard	1 metre
ENV V-27	EM-07-0270	25mm velcro - black - hard	1 metre
ENV V-30	EM-07-0300	25mm velcro - red - hard	1 metre
ENV TH-1	EM-06-0020	Polyester 30 thread - white	spool
ENV TH-2	EM-06-0030	Polyester 30 thread - blue	spool
ENV TH-3	EM-06-0040	Polyester 30 thread - grey	spool
ENV TH-4	EM-06-0050	Polyester 30 thread - black	spool
ENV TH-5	EM-06-0060	Polyester 30 thread - red	spool
ENV TH-7	EM-06-0061	Nomex 40 thread - white	spool
ENV TH-8	EM-06-0062	Nomex 40 thread - black	spool
ENV R-1	EM-04-0080	2.5mm kevlar/polyester para rigging cord	1 metre
ENV R-2	EM-04-0090	3.0mm kevlar para rigging cord	1 metre
ENV R-4	EM-04-0015	4.0mm blue kevlar core vent line	1 metre
ENV R-5	EM-04-0025	4.0mm black kevlar core vent line	1 metre
ENV R-6	EM-04-0135	8.0mm red kevlar core FDS control line	1 metre
ENV R-7	EM-04-0041	8.0mm white/blue control line	1 metre
ENV R-8	EM-04-0120	8.0mm white kevlar core rip line	1 metre
ENV R-10	EM-04-0111	8.0mm black polyester control line	1 metre
ENV R-11	EM-04-0142	8.0mm white/red kevlar core parachute control line	1 metre
ENV R-12	EM-04-0011	5.0mm blue kevlar core vent line	1 metre
ENV R-13	EM-04-0021	5.0mm black kevlar core vent line	1 metre



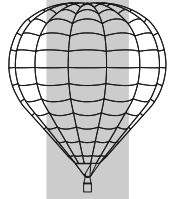
1 ENVELOPE MATERIALS

Cat. no.	Part Number	Description	Unit
Page 1.1			
ENV C-1	EM-01-0140	Karabiner - Stubai 3000kg	1
ENV C-2	EM-01-0200	Pulley small 1SH	1
ENV C-4	EM-01-0110	Quick link 4mm stainless steel - parachute	1
ENV C-5	EM-01-0120	Quick link 5mm stainless steel - FDS	1
ENV C-6	EM-01-0015	Ring - stainless steel - FDS and vents	1
ENV C-7	EM-01-0222	Pulley vents stainless steel	1
ENV C-8	EM-01-0151	Spring hook stainless steel - control lines	1
ENV C-9	EM-01-0130	Karabiner - aluminium - scoop	1
ENV C-10	EM-01-0100	Quick link 4mm plated - scoop	1
ENV C-11	EM-01-0040	Ultramagic karabiner link ring	1
ENV C-12	EM-C-0070	Temp flag link 125C° / 257F°	1
ENV C-13	EM-C-0220	Temp tag 116 degrees range B	1
ENV C-14	EM-C-0210	Temp tag 160 degrees range C	1
ENV C-20	EM-01-0206	Pulley medium 4SH	1
ENV C-21	EM-01-0223	Pulley big stainless steel	1

Wire Note: Envelope type, Size and Serial number as well as Length and wire number must also be quoted.

Page 1.4

ENV W-1	12 gore envelope wire - single (4mm)	1
ENV W-2	12 gore envelope wire - double (4mm)	1 pair
ENV W-3	16 gore envelope wire - double (4mm)	1 pair
ENV W-4	20 gore envelope wire - single (4mm)	1
ENV W-5	20 gore envelope wire - double (4mm)	1 pair
ENV W-6	24 gore envelope wire - double (3mm)	1 pair
ENV W-7	28 gore envelope wire - single (up to 210) (3mm)	1
ENV W-8	28 gore envelope wire - double (up to 210) (3mm)	1 pair
ENV W-9	28 gore envelope wire - single (above 210) (4mm)	1
ENV W-10	28 gore envelope wire - double (above 210) (4mm)	1 pair



ITEM	DESCRIPTION	PART No	ITEM	DESCRIPTION	PART No
11	IGNITER ASSEMBLY	BU21/1/11	25	M6 x 16 ST STL CAP HEAD SCREW	BU21/1/25
10	PILOT REGULATOR VALVE ASSEMBLY	BU21/1/10	24	HANGER ASSEMBLY	BU21/1/24
9	LIQUID VALVE ASSEMBLY	BU21/1/9	23	GIMBAL BLOCK ASSEMBLY	BU21/1/23
8L	LEFT MAIN VALVE ASSEMBLY	BU21/1/8L	18	RIGHT VALVE BLOCK	BU21/1/18
8R	RIGHT MAIN VALVE ASSEMBLY	BU21/1/8R	17	LEFT VALVE BLOCK	BU21/1/17
7	HANDLE TUBE	BU21/1/7	16	FUEL INLET POST	BU21/1/16
6	FUEL CONNECTOR (REGO or TEMA)	SEE HOSES	15	SLURPER TUBE ASSEMBLY	BU21/1/15
5	FUEL HOSE ASSEMBLY (for REGO or TEMA)	SEE HOSES	14	PILOT LIGHT ASSEMBLY	BU21/1/14
2	VAPOURISATION COIL	BU21/1/2	13	LIQUID FIRE JET ASSEMBLY	BU21/1/13
1	BURNER CAN	BU21/1/1	12	PRESSURE GAUGE ASSEMBLY	BU21/1/12

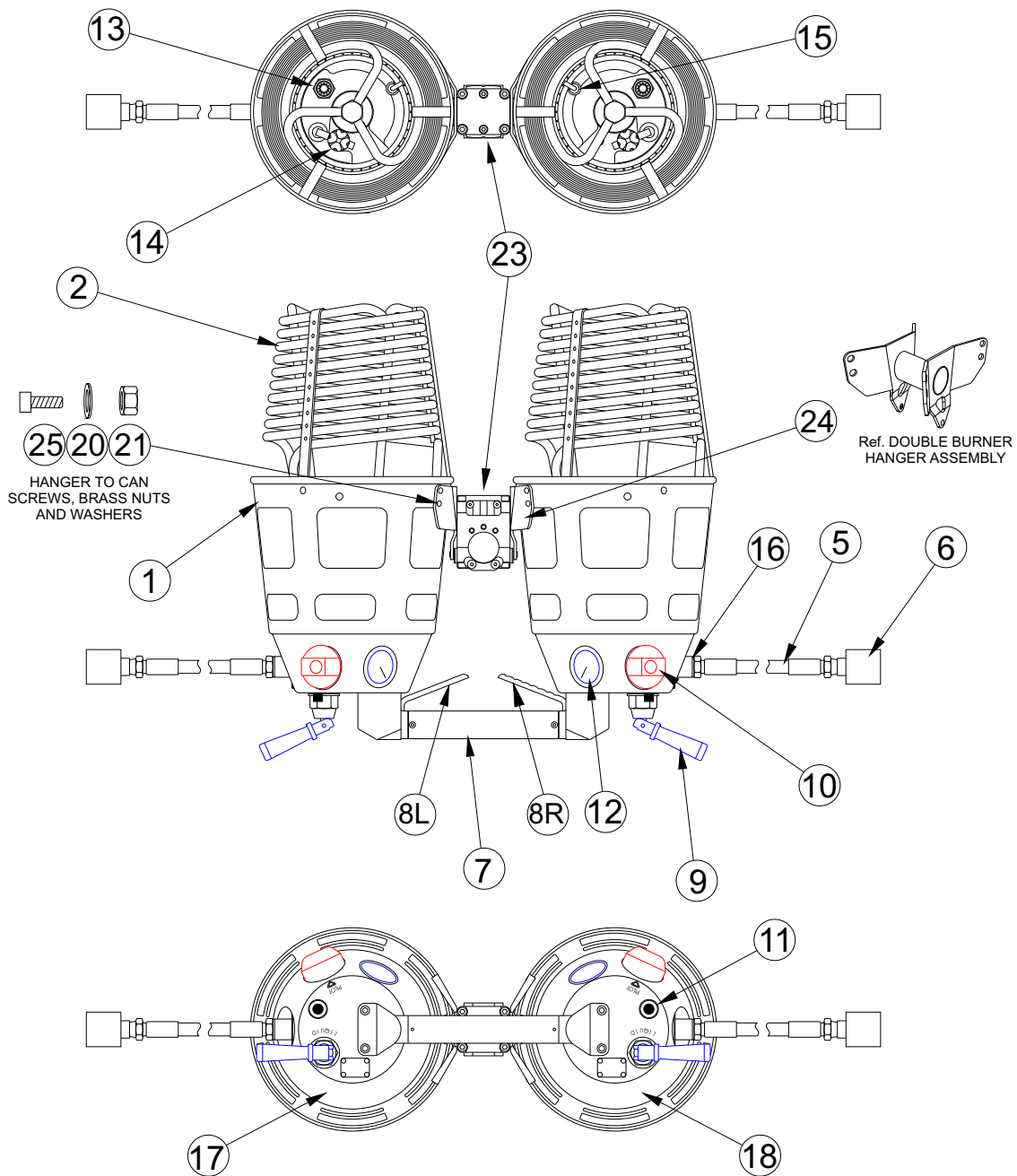
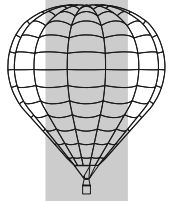


FIGURE 1
MK-21 DOUBLE BURNER CONFIGURATION
(GIMBAL BLOCK)



2

**MK21
BURNER
PARTS**

ITEM	DESCRIPTION	PART No	ITEM	DESCRIPTION	PART No
10	PILOT REGULATOR VALVE ASSEMBLY	BU21/1/10	22	M8 x 80 ST STS CONICAL SINK SCREW	BU21/1/22
9	LIQUID VALVE ASSEMBLY	BU21/1/9	21	M6 BRASS LOCK NUT	BU21/1/21
8L	LEFT MAIN VALVE ASSEMBLY	BU21/1/8L	20	M6 STAINLESS STEEL WASHER	BU21/1/20
8R	RIGHT MAIN VALVE ASSEMBLY	BU21/1/8R	19	M6 x 16 ST STL CONICAL SINK SCREW	BU21/1/19
7	HANDLE TUBE	BU21/1/7	18	RIGHT VALVE BLOCK	BU21/1/18
6	FUEL CONNECTOR (REGO or TEMA)	SEE HOSES	17	LEFT VALVE BLOCK	BU21/1/17
5	FUEL HOSE ASSEMBLY (for REGO or TEMA)	SEE HOSES	16	FUEL INLET POST	BU21/1/16
4	CROSS TUBE ASSEMBLY	BU21/1/4	15	SLURPER TUBE ASSEMBLY	BU21/1/15
3	ST STL SUPPORT BAR	BU21/1/3	14	PILOT LIGHT ASSEMBLY	BU21/1/14
2	VAPOURISATION COIL	BU21/1/2	13	LIQUID FIRE JET ASSEMBLY	BU21/1/13
1	BURNER CAN	BU21/1/1	12	PRESSURE GAUGE ASSEMBLY	BU21/1/12
			11	IGNITER ASSEMBLY	BU21/1/11

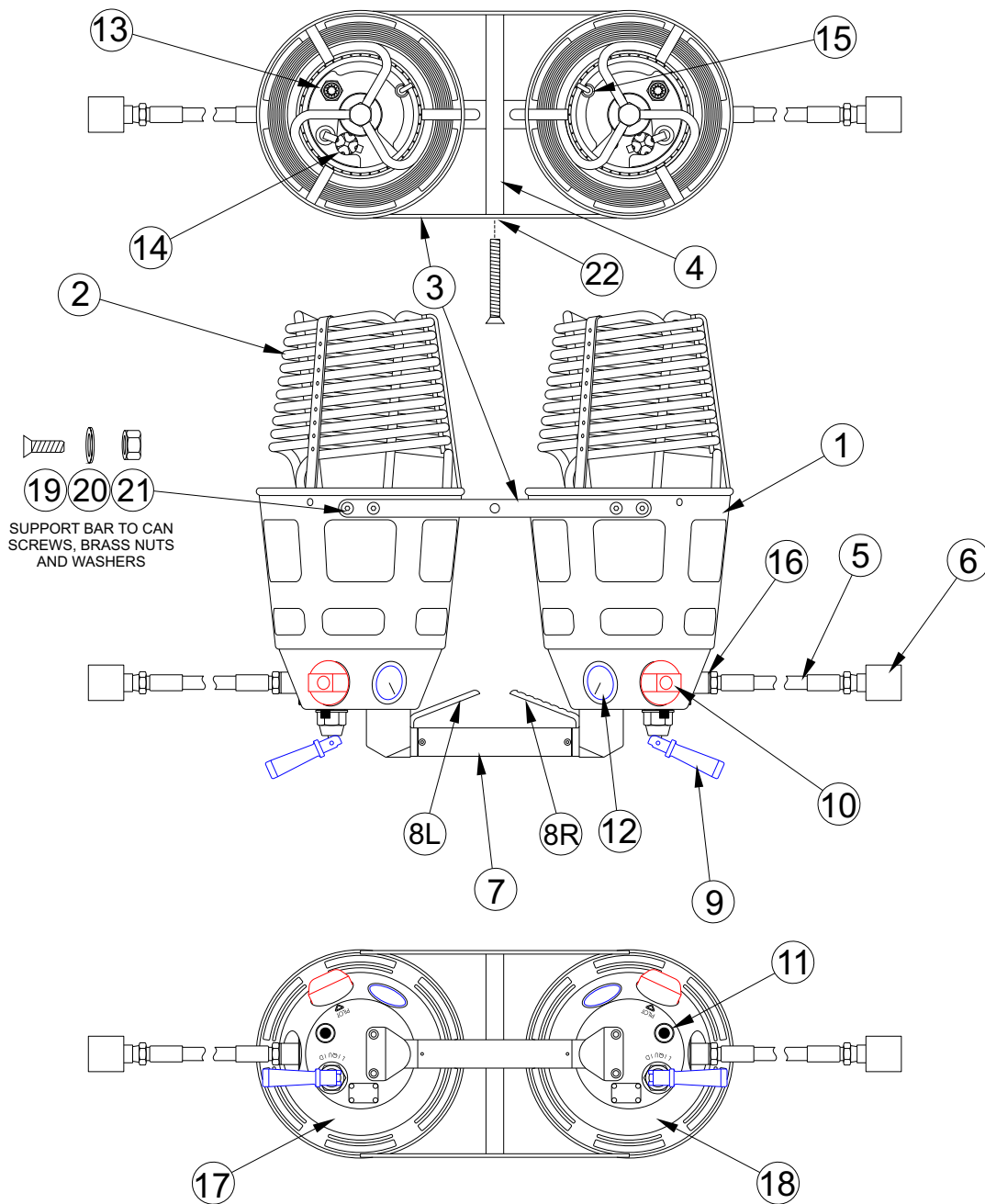
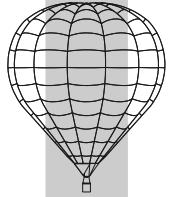
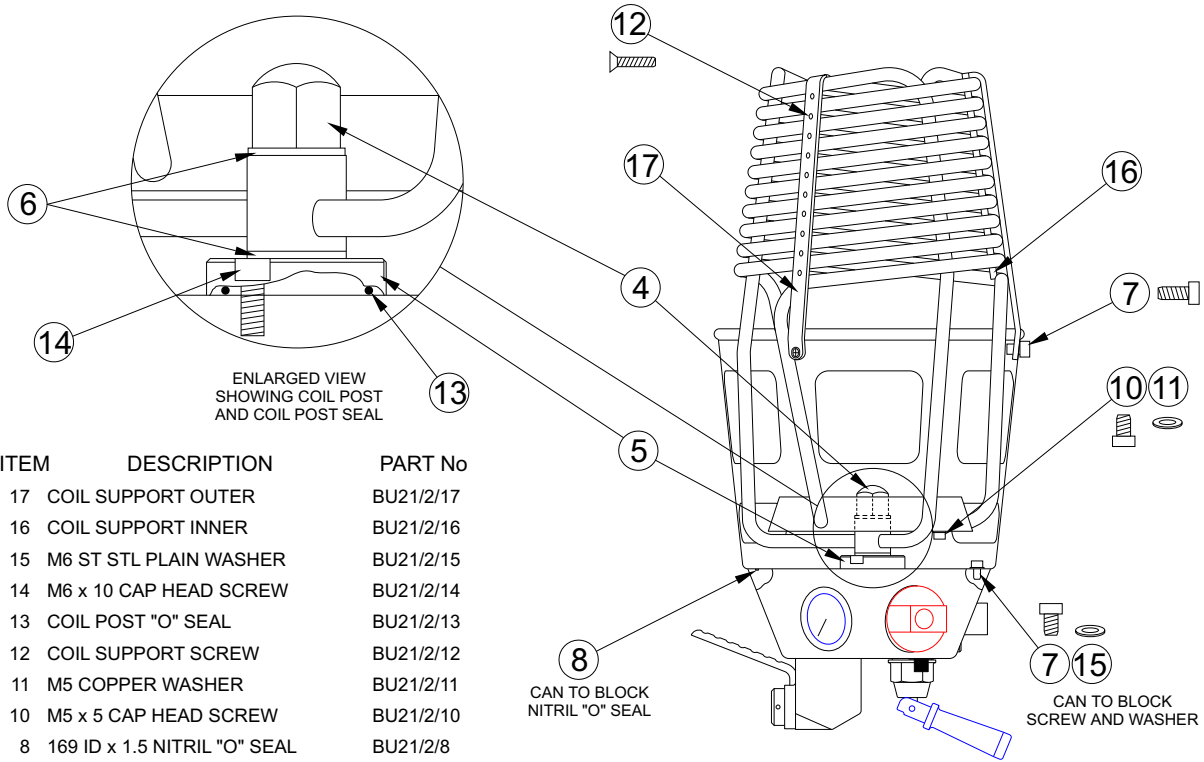
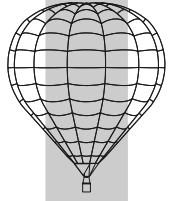


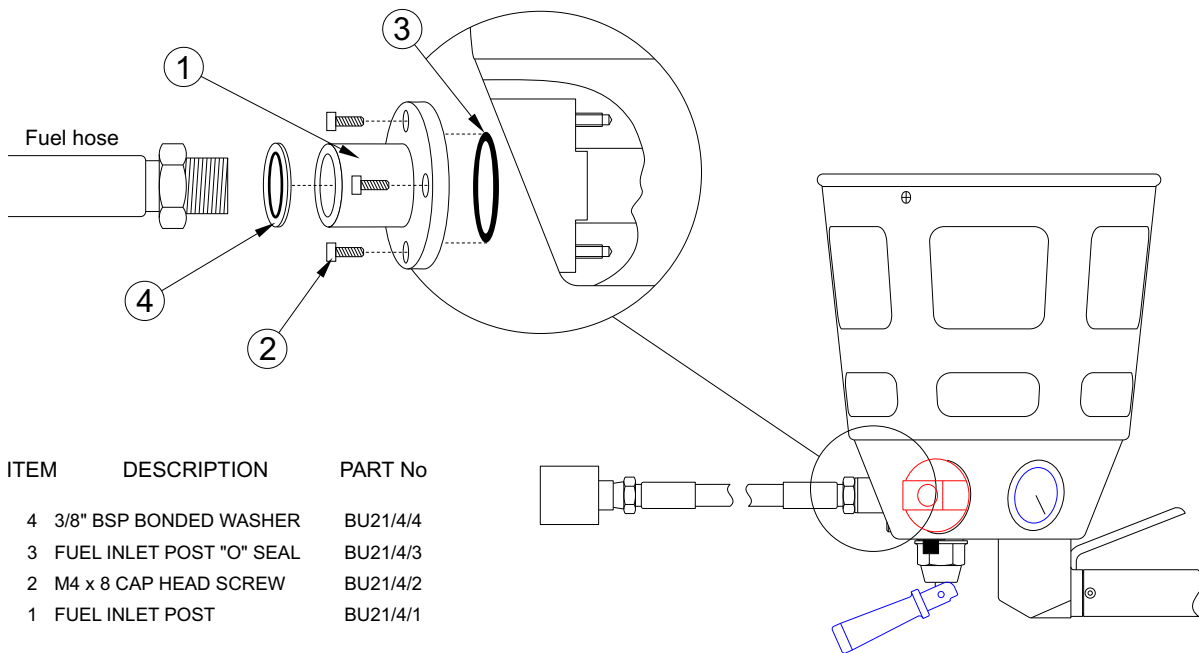
FIGURE 1A
 MK-21 DOUBLE BURNER CONFIGURATION
 (OLD STYLE)





ITEM	DESCRIPTION	PART No
17	COIL SUPPORT OUTER	BU21/2/17
16	COIL SUPPORT INNER	BU21/2/16
15	M6 ST STL PLAIN WASHER	BU21/2/15
14	M6 x 10 CAP HEAD SCREW	BU21/2/14
13	COIL POST "O" SEAL	BU21/2/13
12	COIL SUPPORT SCREW	BU21/2/12
11	M5 COPPER WASHER	BU21/2/11
10	M5 x 5 CAP HEAD SCREW	BU21/2/10
8	169 ID x 1.5 NITRIL "O" SEAL	BU21/2/8
7	M6 x 8 CAP HEAD SCREW	BU21/2/7
6	3/8" BSP BONDED WASHER	BU21/2/6
5	COIL POST	BU21/2/5
4	COIL POST NUT	BU21/2/4

FIGURE 2
COIL AND CAN MOUNTING ARRANGEMENT



ITEM	DESCRIPTION	PART No
4	3/8" BSP BONDED WASHER	BU21/4/4
3	FUEL INLET POST "O" SEAL	BU21/4/3
2	M4 x 8 CAP HEAD SCREW	BU21/4/2
1	FUEL INLET POST	BU21/4/1

FIGURE 4
FUEL INLET POST CONFIGURATION

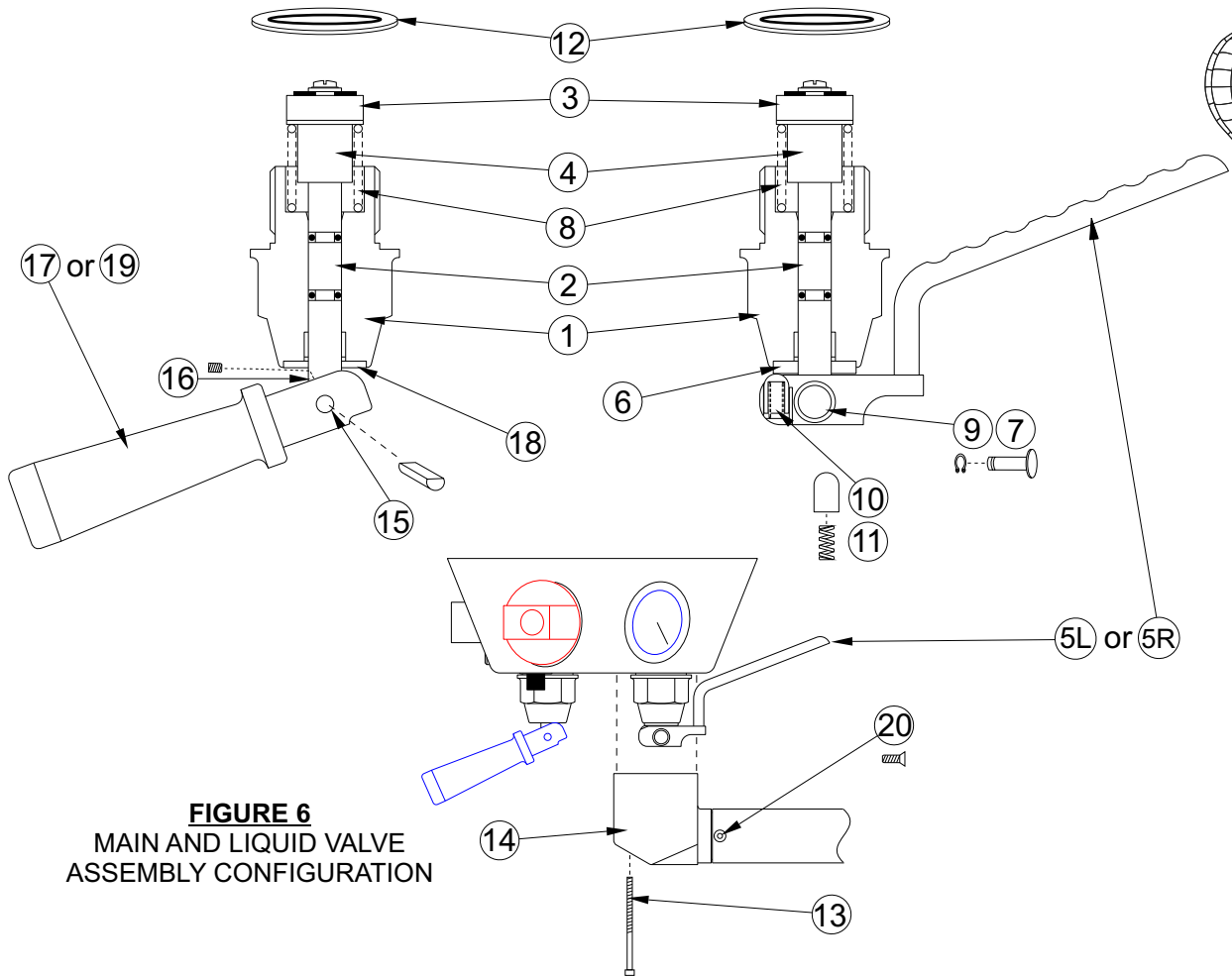


FIGURE 6
MAIN AND LIQUID VALVE
ASSEMBLY CONFIGURATION

ITEM	DESCRIPTION	PART No	ITEM	DESCRIPTION	PART No
10	SPRING CAP	BU21/6/10	20	M3 x 6 ST STL C.SINK HEX DRIVE SCREW	BU21/6/20
9	M4 STD EXTERNAL CIRCLIP	BU21/6/9	19	LIQUID VALVE HANDLE (DEAD MAN'S, BLUE)	BU21/6/19
8	STAINLESS STEEL SPRING	BU21/6/8	18	NYLON THRUST WASHER	BU21/6/18
7	PIVOT PIN (MAIN VALVE)	BU21/6/7	17	LIQUID VALVE HANDLE (BLUE)	BU21/6/17
6	NYLON THRUST WASHER	BU21/6/6 A-C	16	M2.5 x 3 LONG ST STL GRUB SCREW	BU21/6/16
5L	LEFT MAIN VALVE HANDLE	BU21/6/5L	15	PIVOT PIN (LIQUID VALVE)	BU21/6/15
5R	RIGHT MAIN VALVE HANDLE	BU21/6/5R	14	VALVE POST	BU21/6/14
4	VALVE SEAT SLEEVE	BU21/6/4	13	M6 x 50 ST STL CAP HEAD SCREW	BU21/6/13
3	VALVE SEAT ASSEMBLY	BU21/6/3	12	3/4" BSP BONDED WASHER	BU21/6/12
2	VALVE STEM ASSEMBLY	BU21/6/2	11	STAINLESS STEEL SPRING	BU21/6/11
1	VALVE BONNET ASSEMBLY	BU21/6/1			

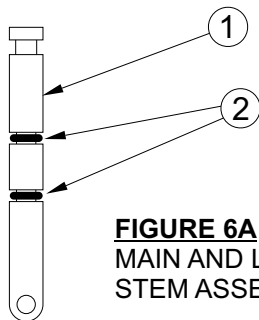


FIGURE 6A
MAIN AND LIQUID VALVE
STEM ASSEMBLY

ITEM	DESCRIPTION	PART No
2	M4 x 2 THICK NITRIL "O" SEAL	BU21/6A/2
1	VALVE STEM	BU21/6A/1

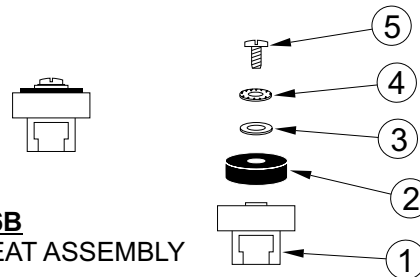
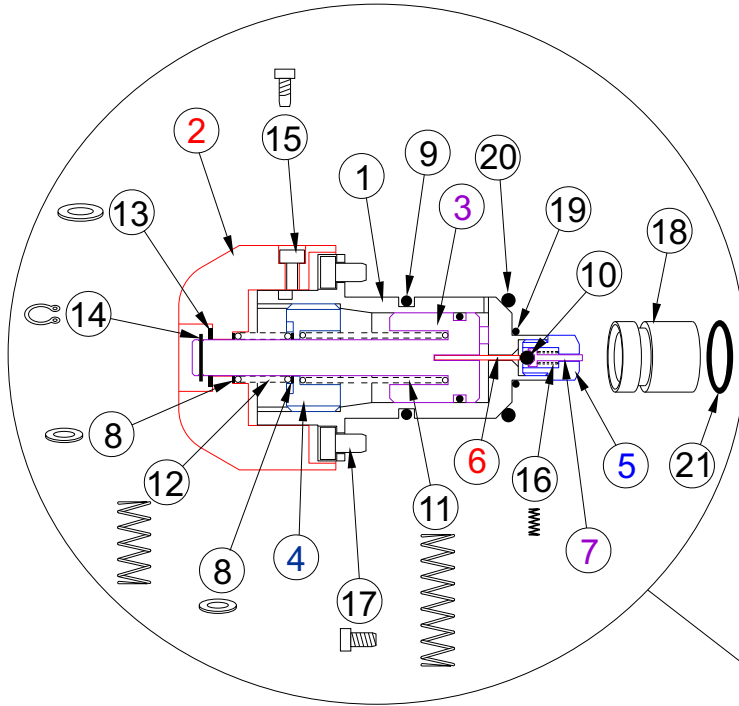
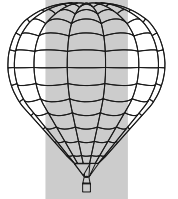


FIGURE 6B
VALVE SEAT ASSEMBLY

ITEM	DESCRIPTION	PART No
5	M3x6 ST STL SOCKET HEAD SCREW	BU21/6B/5
4	M3 ST STL CRINKLE WASHER	BU21/6B/4
3	SPECIAL WASHER	BU21/6B/3
2	VALVE SEAT SEAL	BU21/6B/2
1	VALVE SEAT	BU21/6B/1

2 MK21 BURNER PARTS



ITEM	DESCRIPTION	PART No
21	12 x 1.5 THICK NITRIL "O" SEAL	BU21/7/21
20	21 x 3 THICK NITRIL "O" SEAL	BU21/7/20
19	8 x 2 THICK NITRIL "O" SEAL	BU21/7/19
18	REGULATOR FILTER	BU21/7/18
17	M4 x 8 CAP HEAD SCREW	BU21/7/17
16	ST STL SPRING TYPE D20520	BU21/7/16
15	M3 MODIFIED SCREW	BU21/7/15
14	M8 STD EXTERNAL CIRCLIP	BU21/7/14
13	THRUST WASHER (LARGE)	BU21/7/13
12	ST STL KNOB SPRING	BU21/7/12
11	ST STL SPRING TYPE D22220	BU21/7/11
10	VITON BALL	BU21/7/10
9	22 x 2.5 THICK NITRIL "O" SEAL	BU21/7/9
8	THRUST WASHER	BU21/7/8
7	REGULATOR BALL GUIDE	BU21/7/7
6	REGULATOR PUSH ROD	BU21/7/6
5	REGULATOR GUIDE HOUSING	BU21/7/5
4	REGULATOR SPRING RETAINER	BU21/7/4
3	PISTON ASSEMBLY	BU21/7/3
2	REGULATOR KNOB	BU21/7/2
1	REGULATOR BODY	BU21/7/1

FIGURE 7
PILOT REGULATOR VALVE ASSEMBLY

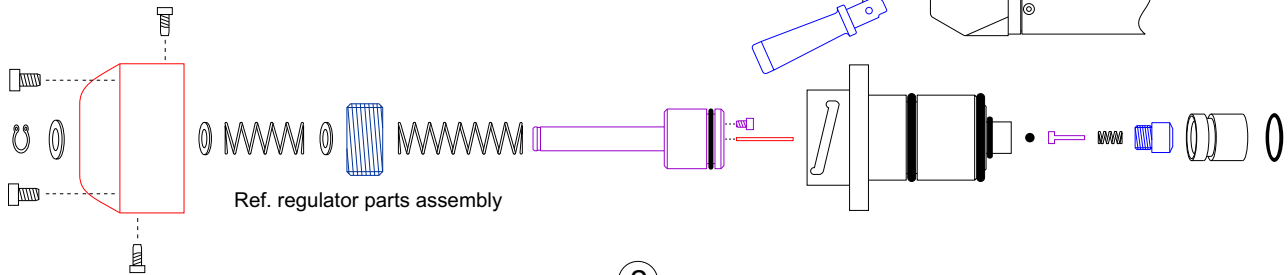


FIGURE 7A
PILOT REGULATOR VALVE PISTON ASSEMBLY

ITEM	DESCRIPTION	PART No
3	M2 x 5 ST STL CAP HEAD SCREW	BU21/7A/3
2	M16 x 2 THICK VITON "O" SEAL	BU21/7A/2
1	REGULATOR PISTON	BU21/7A/1

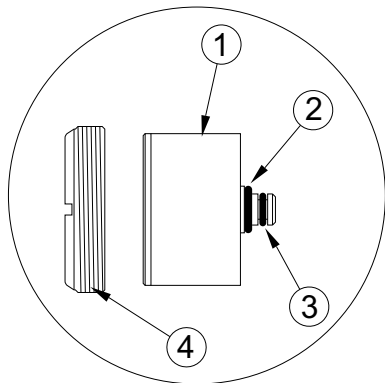
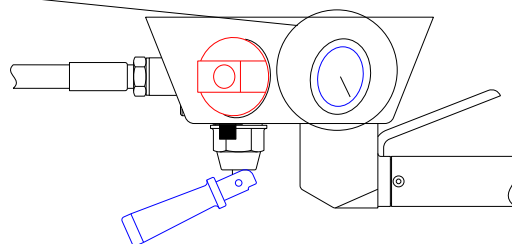
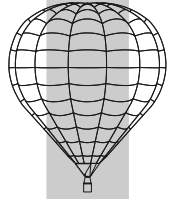


FIGURE 8
PREASSURE GAUGE ASSEMBLY

ITEM	DESCRIPTION	PART No
4	PRESSURE GAUGE RETAINING RING	BU21/8/4
3	Ø4.47 x 1.78 THICK NITRIL "O" SEAL	BU21/8/3
2	Ø8 x 2 THICK NITRIL "O" SEAL	BU21/8/2
1	PRESSURE GAUGE OUTLINE SPEC	BU21/8/1





**2
MK21
BURNER
PARTS**

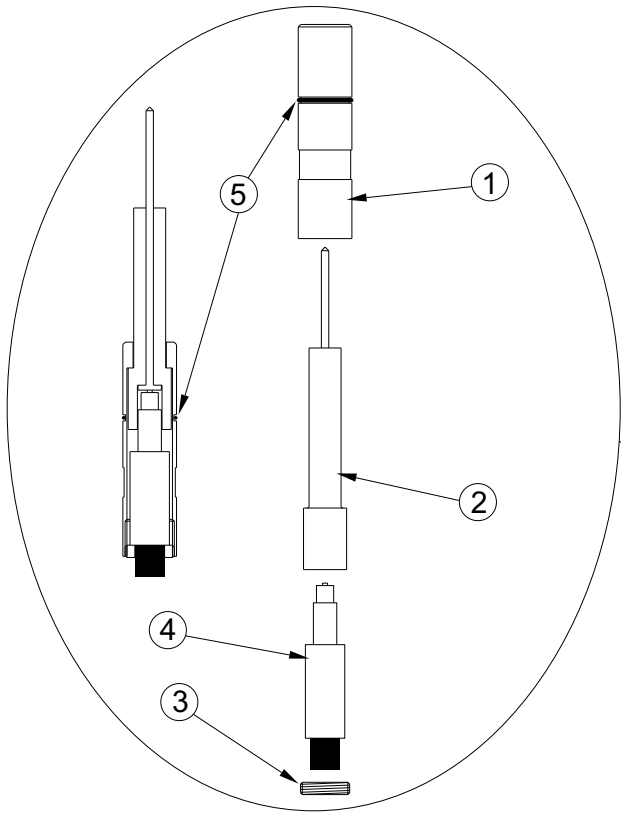


FIGURE 9
IGNITER ASSEMBLY

ITEM	DESCRIPTION	PART No
6	M6 x 6 ST STL GRUB SCREW	BU21/9/6
5	Ø19 x 1.5 THICK NITRIL "O" SEAL	BU21/9/5
4	MODIFIED IGNITER	BU21/9/4
3	IGNITER END CAP	BU21/9/3
2	IGNITER CERAMIC	BU21/9/2
1	IGNITER HOUSING	BU21/9/1

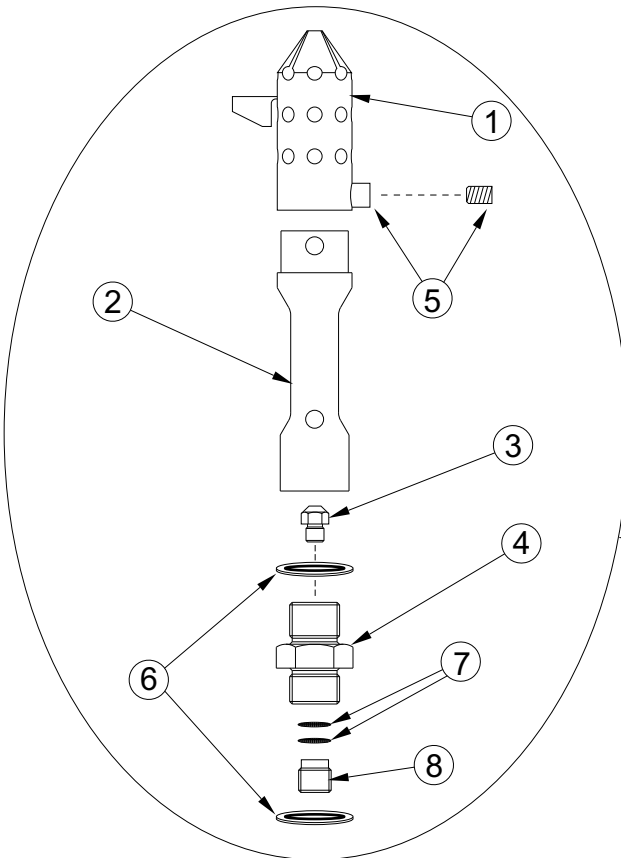
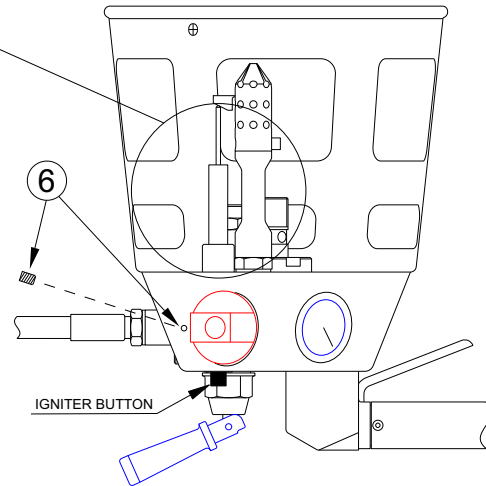
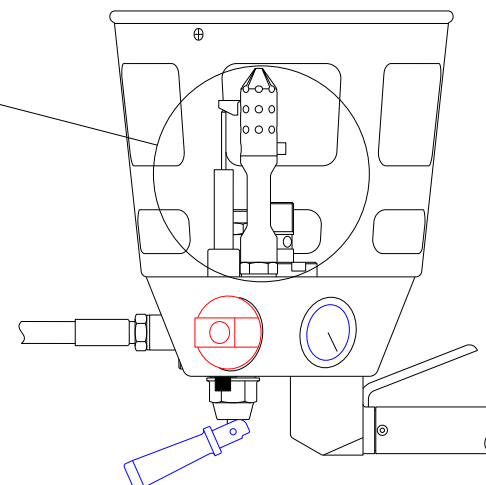
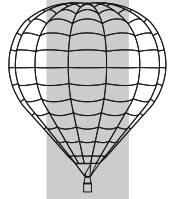


FIGURE 10
PILOT LIGHT ASSEMBLY

ITEM	DESCRIPTION	PART No
8	FILTER RETAINING NUT	BU21/10/8
7	MESH FILTER	BU21/10/7
6	3/8" BSP BONDED WASHER	BU21/10/6
5	M6 x 6 ST STL HEX DRIVE GRUB SCREW	BU21/10/5
4	PILOT LIGHT BULKHEAD COUPLING	BU21/10/4
3	PILOT LIGHT JET	BU21/10/3
2	PILOT LIGHT STEM	BU21/10/2
1	PILOT LIGHT ELEMENT ASSEMBLY	BU21/10/1





**2
MK21
BURNER
PARTS**

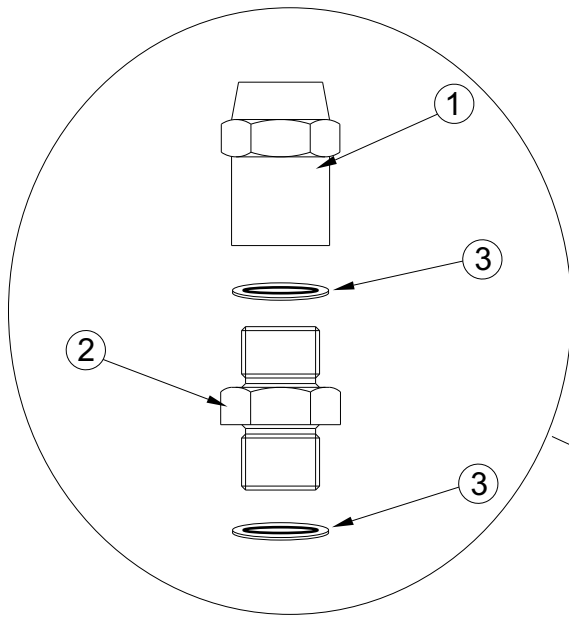


FIGURE 11
LIQUID FIRE JET ASSEMBLY

ITEM	DESCRIPTION	PART No
3	3/8" BSP BONDED WASHER	BU21/11/3
2	LIQUID FIRE ADAPTOR	BU21/11/2
1	LIQUID JET BODY	BU21/11/1

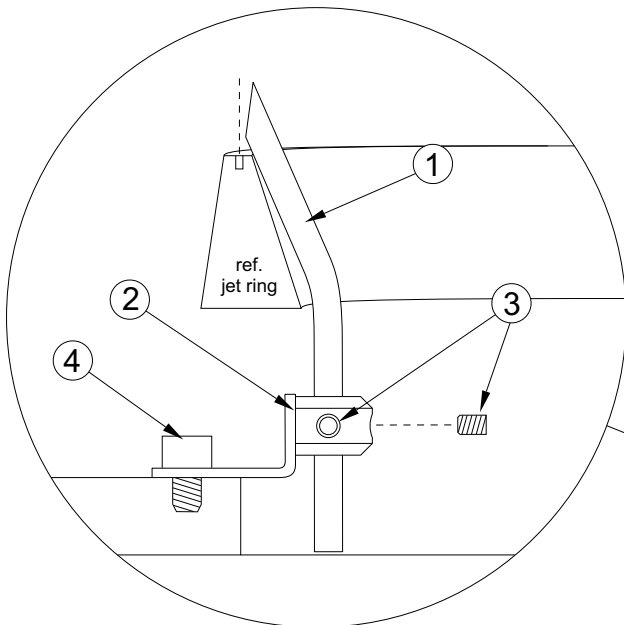
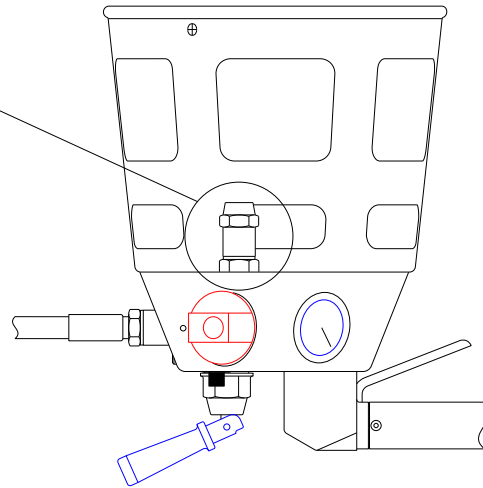
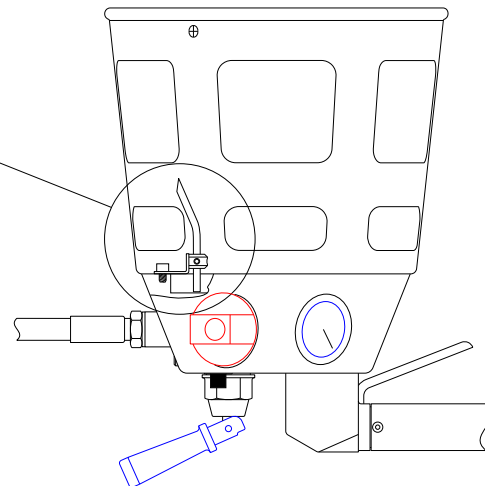
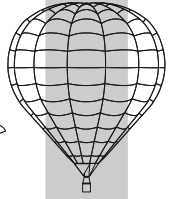


FIGURE 12
SLURPER TUBE ASSEMBLY

ITEM	DESCRIPTION	PART No
4	M6 x 8 ST STL CAP HEAD SCREW	BU21/12/4
3	M4 x 4 ST STL FLAT NOSE GRUB SCREW	BU21/12/3
2	BOSS ASSEMBLY	BU21/12/2
1	SLURPER TUBE	BU21/12/1





2

MK21

BURNER PARTS

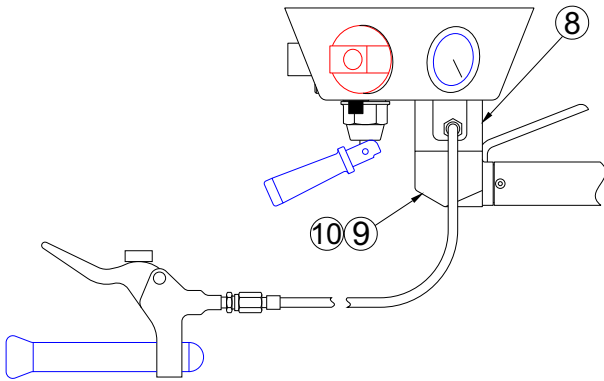
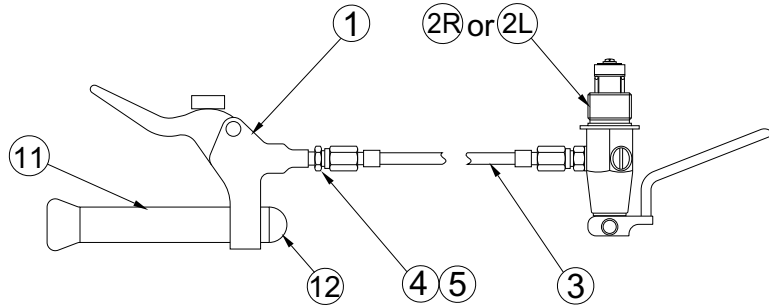
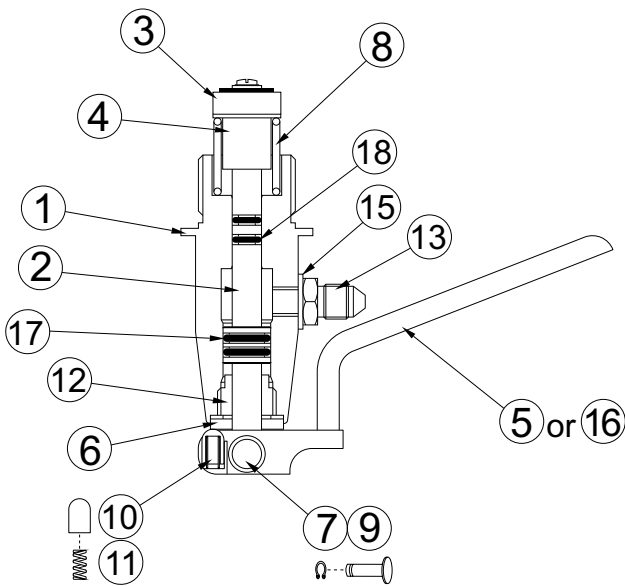


FIGURE 13
HYDRAULIC MAIN VALVE ASSEMBLY

ITEM	DESCRIPTION	PART No
12	CYLINDER HANDLE END CAP	BU21/13/12
11	TOMAC CYLINDER HANDLE	BU21/13/11
10	M6 x 70 ST STL CAP HEAD SCREW	BU21/13/10
9	HYDRAULIC VALVE POST	BU21/13/9
8	HYDRAULIC VALVE POST SPACER	BU21/13/8
6	MINERAL OIL TYPE V0250	BU21/13/6
5	LOCTITE 542 HYDRAULIC THREAD SEALANT	BU21/13/5
4	3/8" TO M8 x 0.75 ST STL ADAPTOR	BU21/13/4
3	HYDRAULIC HOSE ASSEMBLY	BU21/13/3
2L	HYDRAULIC VALVE ASSEMBLY - LEFT	BU21/13/2L
2R	HYDRAULIC VALVE ASSEMBLY - RIGHT	BU21/13/2R
1	RIGHT HAND TOMAC CYLINDER ASSEMBLY	BU21/13/1



ITEM	DESCRIPTION	PART No
18	M4 x 2 THICK NITRIL "O" SEAL	BU21/14/18
17	9 x 2 THICK NITRIL "O" SEAL	BU21/14/17
16	RIGHT MAIN VALVE HANDLE ASSY	BU21/14/16
15	M8 BONDED WASHER	BU21/14/15
14	BLANKING SCREW	BU21/14/14
13	3/8" UNF TO M8 ADAPTOR	BU21/14/13
12	HYDRAULIC VALVE BUSH	BU21/14/12
11	ST STL SPRING TYPE D20700	BU21/14/11
10	SPRING CAP	BU21/14/10
9	M4 STANDARD EXTERNAL CIRCLIP	BU21/14/9
8	ST STL VALVE SPRING	BU21/14/8
7	PIVOT PIN (MAIN VALVE)	BU21/14/7
6	NYLON THRUST WASHER (A-C)	BU21/14/6
5	LEFT MAIN VALVE HANDLE ASSY	BU21/14/5
4	VALVE SEAT SLEEVE	BU21/14/4
3	VALVE SEAT ASSY	BU21/14/3
2	HYDRAULIC VALVE STEM	BU21/14/2
1	HYDRAULIC VALVE BONNET	BU21/14/1

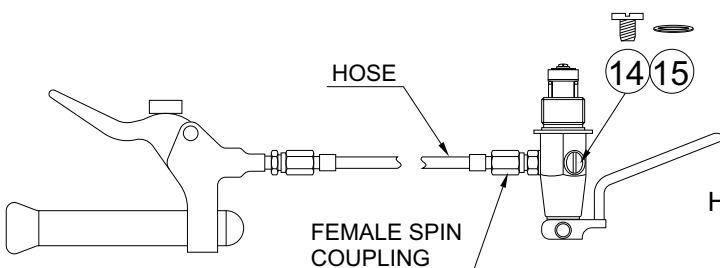
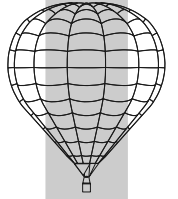


FIGURE 14
HYDRAULIC MAIN VALVE ASSEMBLY



2

MK21

BURNER PARTS

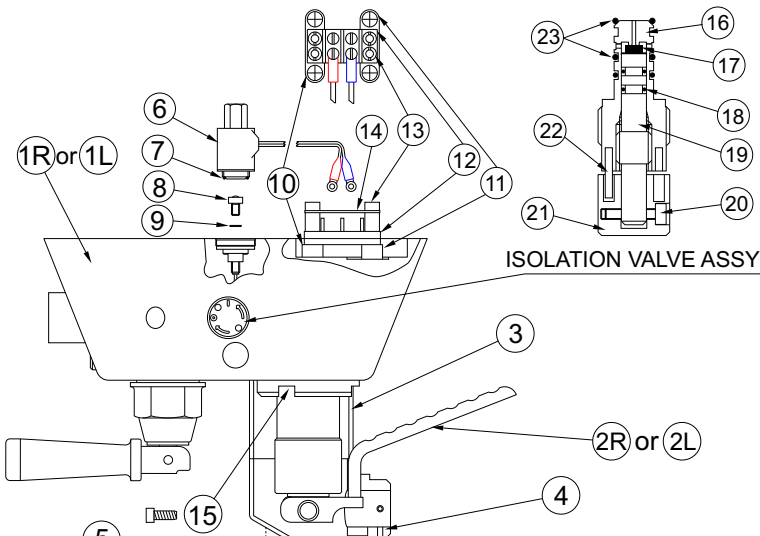


FIGURE 15
ELECTRIC VALVE BLOCK ASSEMBLY

ITEM	DESCRIPTION	PART No
23	M8 X 1.5 THICK NITRILE 'O' SEAL	BU21/15/23
22	M2 X 20 ST STL ROLL PIN	BU21/15/22
21	ISOLATION VALVE KNOB	BU21/15/21
20	M3 X 20 ST STL CAP HEAD SCREW	BU21/15/20
19	ISOLATION VALVE STEM	BU21/15/19
18	M4 X 1,5 THICK NITRILE 'O' SEAL	BU21/15/18
17	ISOLATION VALVE SEAT SEAL	BU21/15/17
16	ISOLATION VALVE BODY	BU21/15/16
15	M5 x 10 ST STL CAP HEAD SCREW	BU21/15/15
14	BARRIER STRIP HEAT SHIELD	BU21/15/14
13	HEAT SHIELD SPACER	BU21/15/13
12	2 WAY, HIGH BARRIER TERMINAL STRIP	BU21/15/12
11	BARRIER STRIP SPACER (OUTER)	BU21/15/11
10	BARRIER STRIP SPACER (INNER)	BU21/15/10
9	M4 BSP BONDED SEAL	BU21/15/9
8	SOLENOID ORIFICE	BU21/15/8
7	14 X 1.78 THICK NITRILE 'O' SEAL	BU21/15/7
6	ELECTRIC SOLENOID VALVE	BU21/15/6
5	M6 X 70 ST STL CAP HEAD SCREW	BU21/15/5
4	HYDRAULIC VALVE POST	BU21/15/4
3	FUEL ACTIVATED VALVE POST SPACER	BU21/15/3
2L	ELECTRIC VALVE ASSY - LEFT	BU21/15/2L
2R	ELECTRIC VALVE ASSY - RIGHT	BU21/15/2R
1L	ELECTRIC VALVE BLOCK - LEFT HAND	BU21/15/1L
1R	ELECTRIC VALVE BLOCK - RIGHT HAND	BU21/15/1R

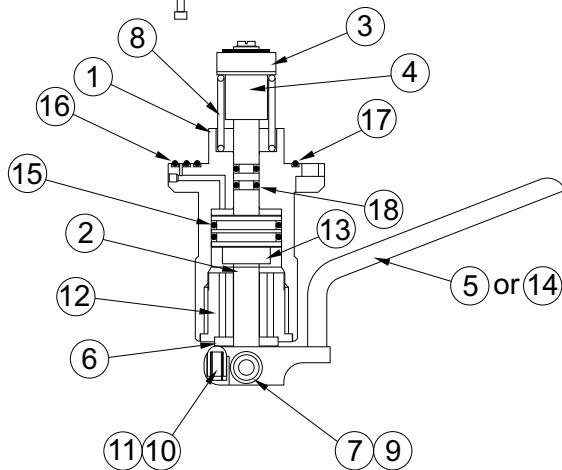


FIGURE 16
ELECTRIC MAIN VALVE HANDLE ASSEMBLY

ITEM	DESCRIPTION	PART No
18	M4 X 2 THICK NITRIL 'O' SEAL	BU21/16/18
17	30 X 1.5 THICK NITRIL 'O' SEAL	BU21/16/17
16	3 X 1.5 THICK NITRIL 'O' SEAL	BU21/16/16
15	18 X 2 THICK NITRIL 'O' SEAL	BU21/16/15
14	RIGHT MAIN VALVE HANDLE ASSY	BU21/16/14
13	NITRILE BUFFER	BU21/16/13
12	FUEL ACTIVATED VALVE BUSH	BU21/16/12
11	ST STL SPRING TYPE D20770	BU21/16/11
10	SPRING CAP	BU21/16/10
9	M4 STD EXTERNAL CIRCLIP	BU21/16/9
8	ST STL VALVE SPRING	BU21/16/8
7	PIVOT PIN (MAIN VALVE)	BU21/16/7
6	THRUST WASHER	BU21/16/6
5	LEFT MAIN VALVE HANDLE ASSY	BU21/16/5
4	VALVE SEAT SLEEVE	BU21/16/4
3	VALVE SEAT ASSEMBLY	BU21/16/3
2	FUEL ACTIVATED VALVE STEM	BU21/16/2
1	FUEL ACTIVATED VALVE BONNET	BU21/16/1

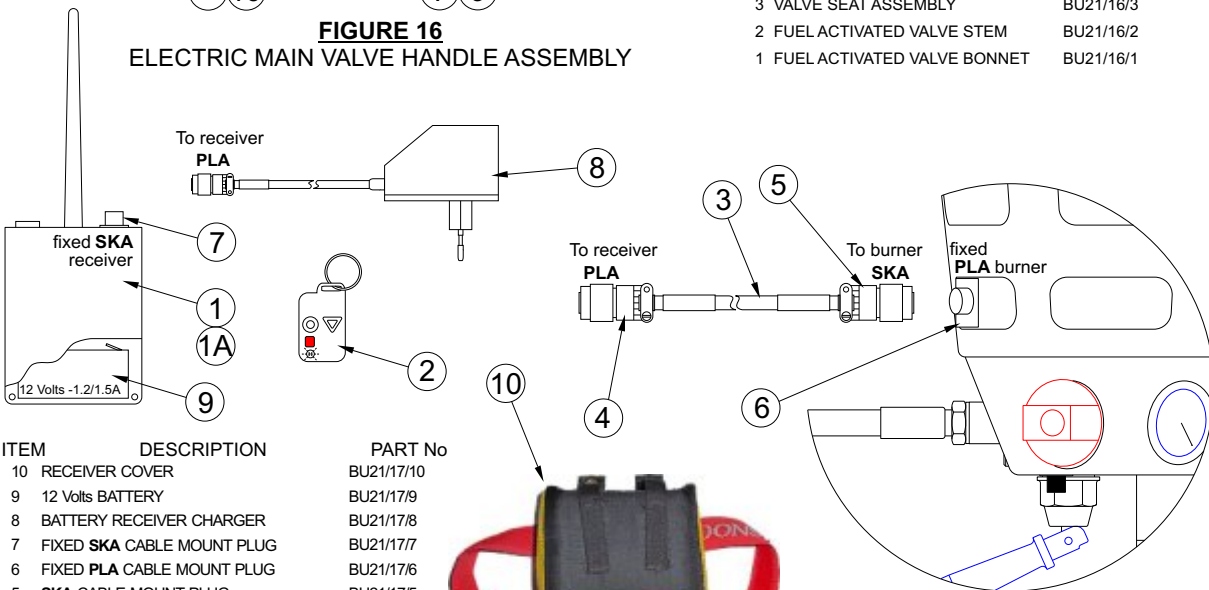
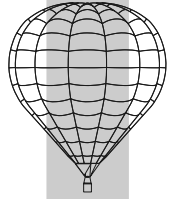


FIGURE 17
RECEIVER ASSEMBLY

ITEM	DESCRIPTION	PART No
10	RECEIVER COVER	BU21/17/10
9	12 Volts BATTERY	BU21/17/9
8	BATTERY RECEIVER CHARGER	BU21/17/8
7	FIXED SKA CABLE MOUNT PLUG	BU21/17/7
6	FIXED PLA CABLE MOUNT PLUG	BU21/17/6
5	SKA CABLE MOUNT PLUG	BU21/17/5
4	PLA CABLE MOUNT PLUG	BU21/17/4
3	RECEIVER TO BURNER LOOM ASSY	BU21/17/3
2	TRANSMITTER	BU21/17/2
1A	RECEIVER+ANTENNA+TRANSMITTER KIT	BU21/17/1A
1	COMPLETE BOX RECEIVER ASSY	BU21/17/1





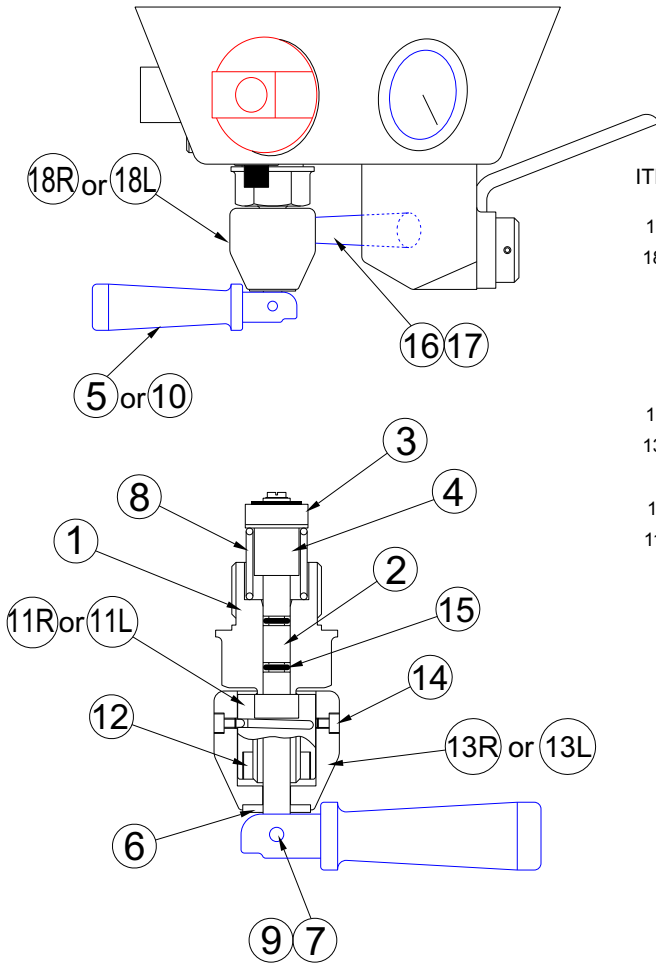
2

MK21

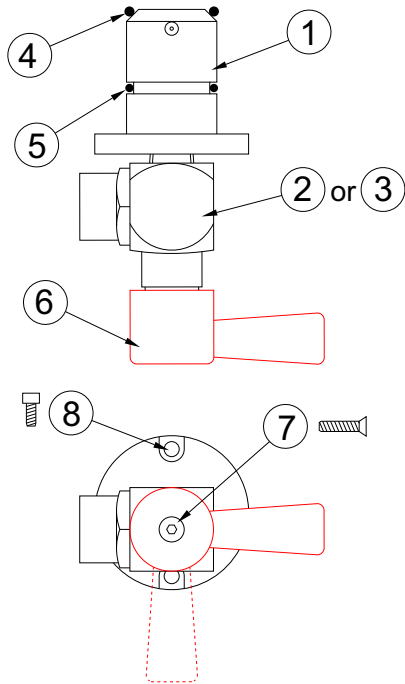
BURNER

PARTS

FIGURE 18
CRUISE CONTROL VALVE ASSEMBLY



ITEM	DESCRIPTION	PART No
18L	CRUISE CONTROL VALVE ASSY - LEFT HAND	BU21/18/18L
18R	CRUISE CONTROL VALVE ASSY - RIGHT HAND	BU21/18/18R
17	M6 x 45 ST STL CAP HEAD SCREW	BU21/18/17
16	HANDLE LEVER	BU21/18/16
15	M4 x 2 THICK NITRIL "O" SEAL	BU21/18/15
14	MODIFIED SCREW	BU21/18/14
13L	CAM FOLLOWER (LEFT)	BU21/18/13L
13R	CAM FOLLOWER (RIGHT)	BU21/18/13R
12	LOCK NUT	BU21/18/12
11L	CAM LEFT	BU21/18/11L
11R	CAM RIGHT	BU21/18/11R
10	LIQUID VALVE HANDLE (DEAD MAN'S)	BU21/18/10
9	M2,5 x 3 ST STL FLAT POINT GRUB SCREW	BU21/18/9
8	STAINLESS STEEL VALVE SPRING	BU21/18/8
7	PIVOT PIN	BU21/18/7
6	THRUST WASHER	BU21/18/6
5	LIQUID VALVE HANDLE	BU21/18/5
4	VALVE SEAT SLEEVE	BU21/18/4
3	VALVE SEAT ASSEMBLY	BU21/18/3
2	VALVE STEM (CRUISE CONTROL)	BU21/18/2
1	VALVE BONNET (CRUISE CONTROL)	BU21/18/1



ITEM	DESCRIPTION	PART No
9	VAPOUR HOSE	SEE HOSES
8	M4 x 8 ST STL CAP HEAD SCREW	BU21/22/8
7	M4 x 20 ST STL CONICAL SINK SCREW	BU21/22/7
6	BALL VALVE HANDLE RED	BU21/22/6
5	Ø22 x 2,5 THICK VALVE BODY "O" SEAL	BU21/22/5
4	Ø21 x 3 THICK VALVE BODY "O" SEAL	BU21/22/4
3	VAPOUR BALL VALVE 1/4"NPT - LEFT	BU21/22/3
2	VAPOUR BALL VALVE 1/4"NPT - RIGHT	BU21/22/2
1	VAPOUR VALVE BODY	BU21/22/1

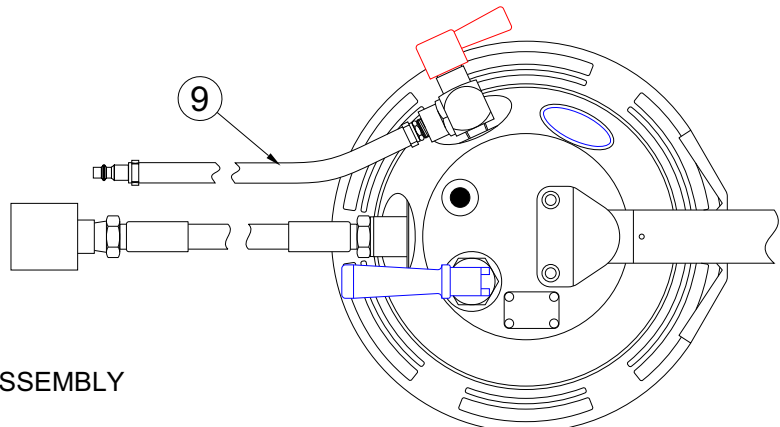


FIGURE 22
VAPOUR PILOT LIGHT ASSEMBLY

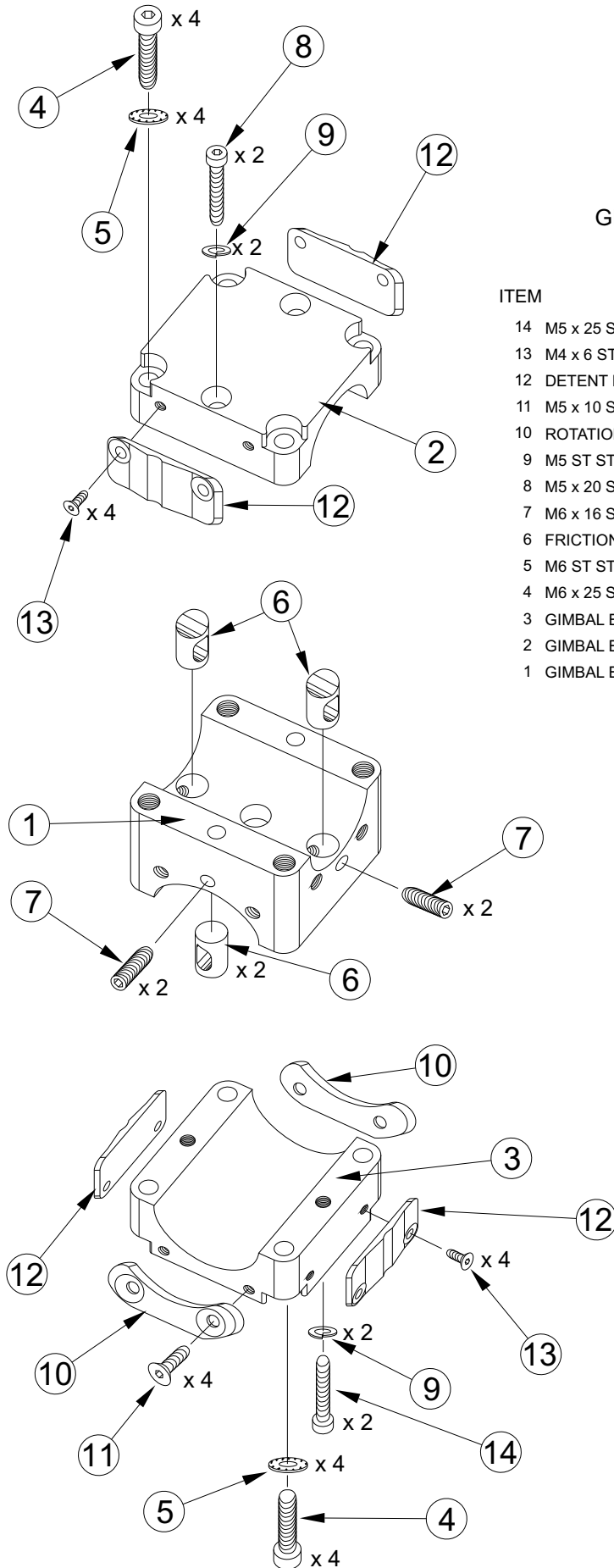
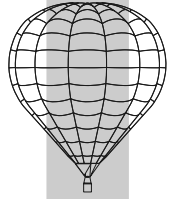
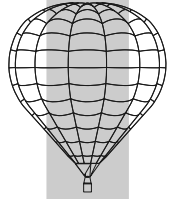


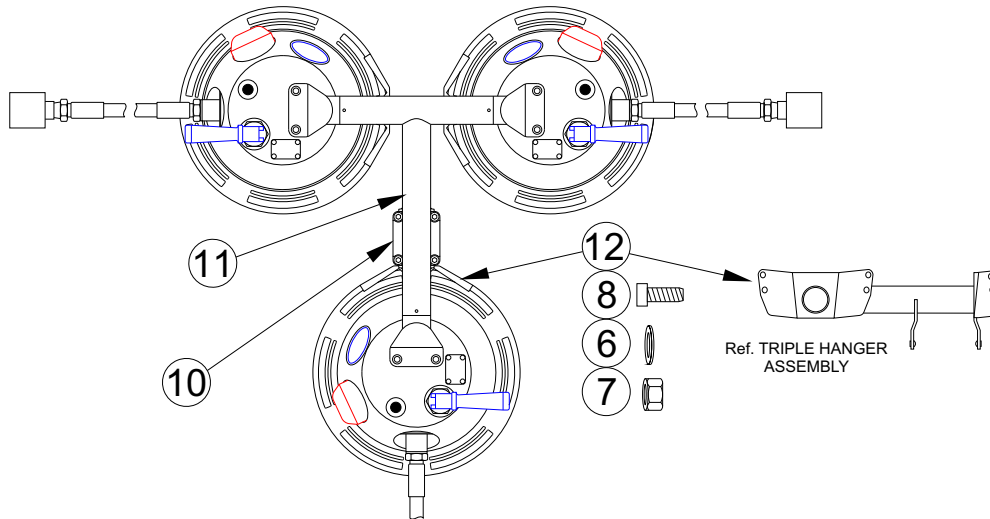
FIGURE 21
GIMBAL BLOCK ASSEMBLY

ITEM	DESCRIPTION	PART No
14	M5 x 25 ST STL CAP HEAD SCREW	BU21/21/14
13	M4 x 6 ST STL COUNTER SINK SCREW	BU21/21/13
12	DETENT BLOCK	BU21/21/12
11	M5 x 10 ST STL COUNTER SINK SCREW	BU21/21/11
10	ROTATION STOP ST STL	BU21/21/10
9	M5 ST STL SPRING LOCK WASHER	BU21/21/9
8	M5 x 20 ST STL CAP HEAD SCREW	BU21/21/8
7	M6 x 16 ST STL FLAT POINT GRUB SCREW	BU21/21/7
6	FRICITION BEARING	BU21/21/6
5	M6 ST STL CRINKLE WASHER	BU21/21/5
4	M6 x 25 ST STL CAP HEAD SCREW	BU21/21/4
3	GIMBAL BLOCK 35mm TUBE END CAP	BU21/21/3
2	GIMBAL BLOCK 30mm HANGER TUBE END CAP	BU21/21/2
1	GIMBAL BLOCK BODY	BU21/21/1



**2
MK21
BURNER
PARTS**

FIGURE 19
MK-21 TRIPLE BURNER CONFIGURATION
(GIMBAL BLOCK)



ITEM	DESCRIPTION	PART No	ITEM	DESCRIPTION	PART No
6	M6 ST STL PLAIN WASHER	BU21/19/6	12	TRIPLE HANGER ASSEMBLY	BU21/19/12
5	SWIVEL BOSS (old style)	BU21/19/5	11	TRIPLE HANDLE ASSEMBLY (gimbal block)	BU21/19/11
4	CENTRE PIECE ASSEMBLY (old style)	BU21/19/4	10	GIMBAL BLOCK ASSEMBLY	BU21/19/10
3	TRIPLE HANDLE ASSEMBLY (old style)	BU21/19/3	9	M6 ST STL GROWER WASHER	BU21/19/9
2	SUPPORT BAR (old style)	BU21/19/2	8	M6 x 16 ST STL CAP HEAD SCREW	BU21/19/8
1	QUAD SUPPORT BAR (old style)	BU21/19/1	7	M6 BRASS LOCK NUT	BU21/19/7

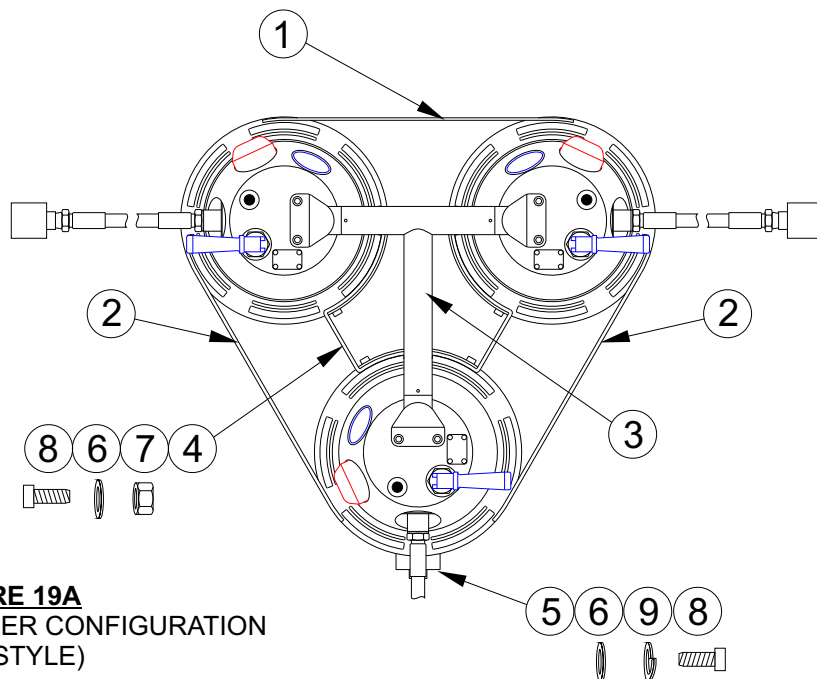


FIGURE 19A
MK-21 TRIPLE BURNER CONFIGURATION
(OLD STYLE)

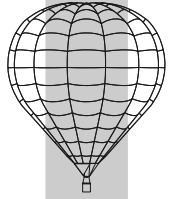
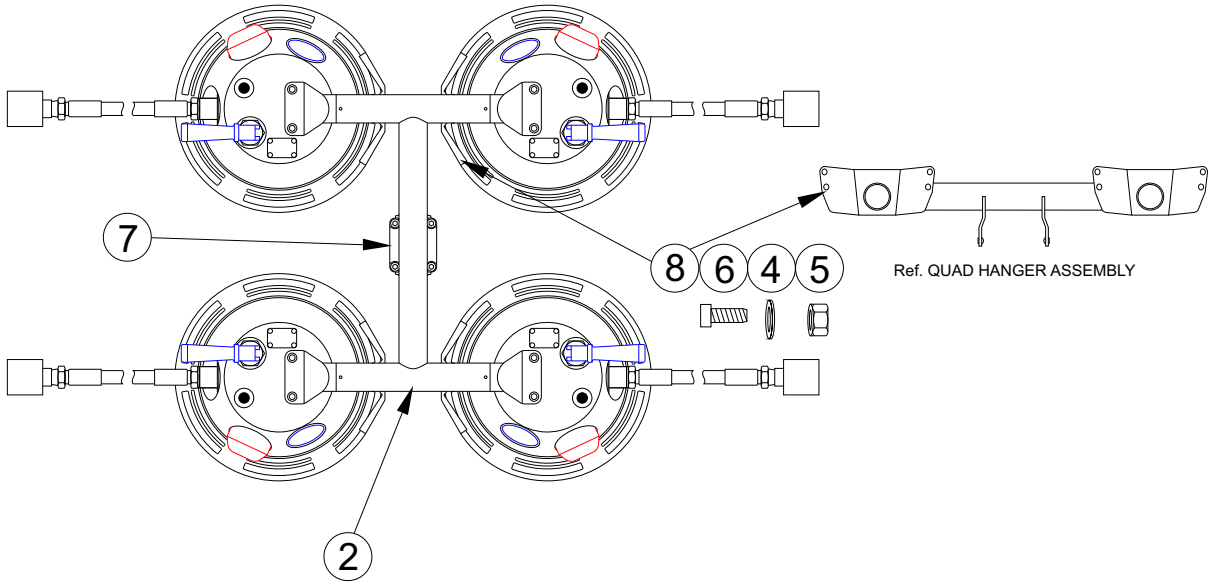


FIGURE 20
MK-21 QUAD BURNER CONFIGURATION
(GIMBAL BLOCK)



ITEM	DESCRIPTION	PART No	ITEM	DESCRIPTION	PART No
4	M6 ST STL PLAIN WASHER	BU21/20/4	8	QUAD HANGER ASSEMBLY (gimbal block)	BU21/20/8
3	QUAD HANGER ASSEMBLY (old style)	BU21/20/3	7	GIMBAL BLOCK ASSEMBLY	BU21/20/7
2	QUAD HANDLE ASSEMBLY	BU21/20/2	6	M6 x 16 ST STL CAP HEAD SCREW	BU21/20/6
1	QUAD SUPPORT BAR	BU21/20/1	5	M6 BRASS LOCK NUT	BU21/20/5

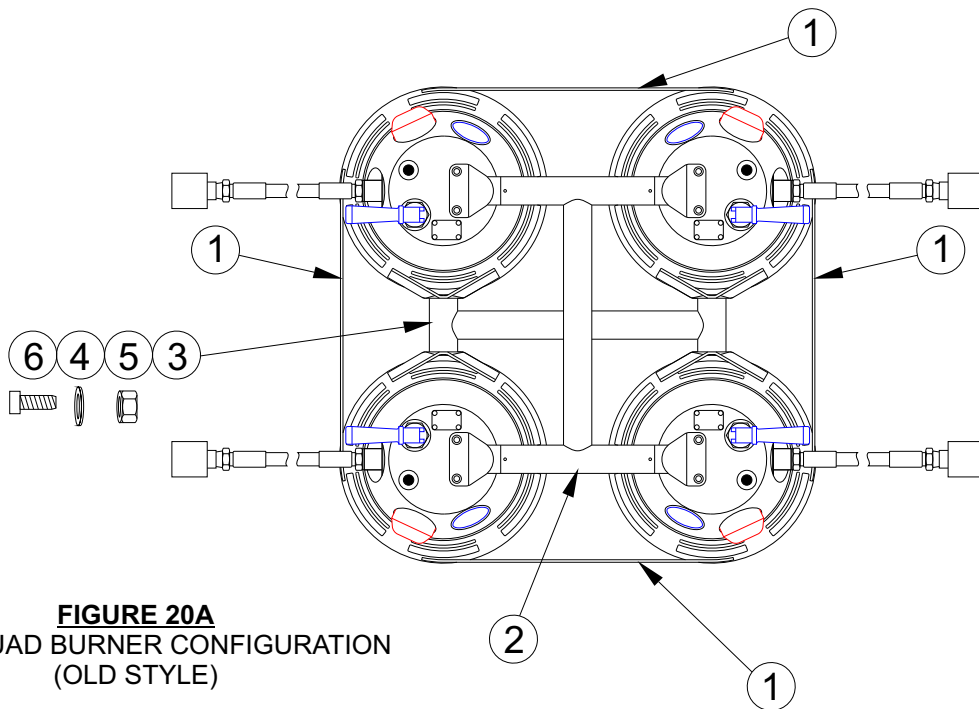
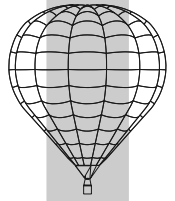
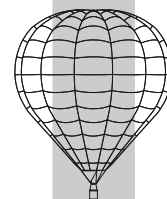


FIGURE 20A
MK-21 QUAD BURNER CONFIGURATION
(OLD STYLE)



**2
M
K
2
1
B
U
R
N
E
R
P
A
R
T
S**

Cat. no.	Part Number	Description	Unit
Page 2.1/2.2	Fig. 1 & 1A	MK-21 double burner configuration	
BU21/1/1	CR-22-0600	Burner can	1
BU21/1/2	CR-22-0500	Vapourisation coil	1
BU21/1/3	CR-22-0012	Support bar - stainless steel	1
BU21/1/4	CR-22-0002	Cross tube assembly	1
BU21/1/7	CR-22-0011	Handle tube	1
BU21/1/8L	CR-22-1200	Main Valve assembly - Left hand - Fig.6	1
BU21/1/8R	CR-22-1400	Main Valve assembly - Right hand - Fig.6	1
BU21/1/9	CR-22-1100	Liquid Valve assembly - Fig.6	1
BU21/1/10	CR-22-0800	Pilot regulator valve assembly - Fig.7	1
BU21/1/11	CR-22-0900	Igniter assembly - Fig.9	1
BU21/1/12	CR-22-1300	Pressure gauge assembly - Fig.8	1
BU21/1/13	CR-22-1000	Liquid fire jet assembly - Fig.11	1
BU21/1/14	CR-22-0700	Pilot light assembly - Fig.10	1
BU21/1/15	CR-22-1500	Slurper tube assembly - Fig.12	1
BU21/1/16	CR-22-0313	Fuel inlet post	1
BU21/1/17	CR-22-0411	Left valve block	1
BU21/1/18	CR-22-0311	Right valve block	1
BU21/1/19	CR-03-0040	M6 x 16 stainless steel conical sink screw	1
BU21/1/20	MA-FE-0090	M6 stainless steel plain washer	1
BU21/1/21	CR-03-0170	M6 brass lock nut	1
BU21/1/22	MA-FE-0295	M8 x 80 stainless steel conical sink screw	1
BU21/1/23	CR-22-2500	Gimbal block assembly - Fig.21	1
BU21/1/24	CR-22-2600	Double burner hanger assembly	1
BU21/1/25	CR-09-0080	M6 x 16 stainless steel cap head screw	1
Page 2.3	Fig.2	Coil mounting arrangement	
BU21/2/4	CR-22-0319	Coil post nut	1
BU21/2/5	CR-22-0318	Coil post	1
BU21/2/6	MA-FE-0600	3/8" BSP bonded washer	1
BU21/2/7	MA-FE-0506	M6 x 8 cap head screw	1
BU21/2/8	MA-FE-0601	169 ID x 1.5 nitrile "O" seal	1
BU21/2/10	MA-FE-0507	M5 x 5 cap head screw	1
BU21/2/11	MA-FE-0611	M5 copper washer	1
BU21/2/12	MA-FE-0508	Coil support screw	1
BU21/2/13	MA-FE-0615	Coil post "O" seal	1
BU21/2/14	MA-FE-0509	M6 x 10 stainless steel cap head screw	1
BU21/2/15	MA-FE-0090	M6 stainless steel plain washer	1
BU21/2/16	CR-22-0514	Coil support inner	1
BU21/2/17	CR-22-0513	Coil support outer	1
Page 2.3	Fig.4	Fuel inlet post configuration	
BU21/4/1	CR-22-0313	Fuel inlet post	1
BU21/4/2	MA-FE-0505	M4 x 8 Cap head screw	1
BU21/4/3	MA-FE-0602	Fuel inlet post "O" seal	1
BU21/4/4	MA-FE-0600	3/8" BSP bonded washer	1
Page 2.4	Fig.6	Main and Liquid valve assembly configurations	
BU21/6/1	CR-22-1101	Valve bonnet assembly	1
BU21/6/2	CR-22-1103	Valve stem assembly	1
BU21/6/3	CR-22-1102	Valve seat assembly	1
BU21/6/4	CR-22-1113	Valve seat sleeve	1
BU21/6/5R	CR-22-1401	Right main valve handle assembly	1
BU21/6/5L	CR-22-1201	Left main valve handle assembly	1
BU21/6/6	CR-22-1114	Nylon thrust washer	1
BU21/6/7	CR-22-1211	Pivot pin - Main valve	1

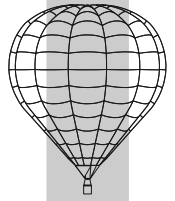


2

MK21

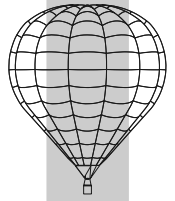
BURNER PARTS

Cat. no.	Part Number	Description	Unit
Page 2.4	Fig. 6	Main and Liquid valve assembly configurations	
BU21/6/8	MA-FE-0701	Stainless steel valve spring - D22700	1
BU21/6/9	MA-FE-0530	M4 standard external circlip	1
BU21/6/10	CR-22-1212	Spring cap	1
BU21/6/11	MA-FE-0700	Spring - stainless steel - D20770	1
BU21/6/12	MA-FE-0603	3/4" BSP bonded washer	1
BU21/6/13	MA-FE-0504	M6 x 50 cap head screw - stainless steel	1
BU21/6/14	CR-22-0312	Valve post	1
BU21/6/15	CR-22-1117	Pivot pin - Liquid valve	1
BU21/6/16	MA-FE-0503	M2.5 x 3 long stainless steel grub screw	1
BU21/6/17	CR-22-1116	Liquid valve handle	1
BU21/6/18	CR-22-1114	Nylon thrust washer	1
BU21/6/19	CR-22-1119	Liquid valve handle (dead man's)	1
BU21/6/20	MA-FE-0514	M3 x 6 st stl counter sink hex drive screw	1
Page 2.4	Fig. 6A	Main and Liquid valve stem assembly	
BU21/6A/1	CR-22-1111	Valve stem	1
BU21/6A/2	MA-FE-0612	M4 x 2 thick nitrile "O" seal	1
Page 2.4	Fig. 6B	Valve seat assembly	
BU21/6B/1	CR-22-1112	Valve seat	1
BU21/6B/2	CR-22-1115	Valve seat seal	1
BU21/6B/3	CR-22-1118	Special washer st stl	1
BU21/6B/4	MA-FE-0520	M3 st stl crinkle washer	1
BU21/6B/5	MA-FE-0517	M3 x 6 st stl socket head screw	1
Page 2.5	Fig. 7	Pilot regulator valve assembly	
BU21/7/1	CR-22-0811	Regulator body	1
BU21/7/2	CR-22-0812	Regulator knob	1
BU21/7/3	CR-22-0801	Piston assembly	1
BU21/7/4	CR-22-0817	Regulator spring retainer	1
BU21/7/5	CR-22-0815	Regulator guide housing	1
BU21/7/6	CR-22-0814	Regulator push rod	1
BU21/7/7	CR-22-0816	Regulator ball guide	1
BU21/7/8	CR-22-0818	Thrust washer - 8.2x11x0.5	1
BU21/7/9	MA-FE-0605	22 x 2.5 thick nitrile "O" seal	1
BU21/7/10	MA-FE-0707	1/8" 70 Sh viton ball	1
BU21/7/11	MA-FE-0706	Piston spring - stainless steel - D22220	1
BU21/7/12	MA-FE-0705	Knob spring - stainless steel - D12210	1
BU21/7/13	CR-22-0819	Thrust washer - large 8.2x13x1	1
BU21/7/14	MA-FE-0531	8mm diameter standard external circlip	1
BU21/7/15	CR-22-0820	M3 stainless steel modified screw	1
BU21/7/16	MA-FE-0702	Spring - stainless steel - D20520	1
BU21/7/17	MA-FE-0505	M4 x 8 cap head screw - stainless steel	1
BU21/7/18	CR-22-0321	Regulator sintered bronze filter	1
BU21/7/19	MA-FE-0607	Ø8 x 2 thick nitrile "O" seal	1
BU21/7/20	MA-FE-0622	Ø21 x 3 thick nitrile "O" seal	1
BU21/7/21	MA-FE-0625	Ø12 x 1.5 thick nitrile "O" seal	1
Page 2.5	Fig.7A	Pilot regulator valve piston assembly	
BU21/7A/1	CR-22-0813	Regulator piston	1
BU21/7A/2	MA-FE-0630	M16 x 2 thick viton "O" seal	1
BU21/7A/3	MA-FE-0518	M2 x 5 Cap head screw - stainless steel	1
Page 2.5	Fig. 8	Pressure gauge assembly	
BU21/8/1	CR-22-1310	Pressure gauge	1
BU21/8/2	MA-FE-0607	Ø8 x 2 thick nitrile "O" seal	1
BU21/8/3	MA-FE-0606	Ø4.47 x 1.78 thick nitrile "O" seal	1
BU21/8/4	CR-22-0317	Pressure gauge retaining ring	1



**2
M
K
2
1
B
U
R
N
E
R
P
A
R
T
S**

Cat. no.	Part Number	Description	Unit
Page 2.6	Fig. 9	Igniter assembly	
BU21/9/1	CR-22-0910	Igniter housing	1
BU21/9/2	CR-22-0913	Igniter ceramic	1
BU21/9/3	CR-22-0912	Igniter end cap	1
BU21/9/4	CR-22-0914	Modified igniter	1
BU21/9/5	MA-FE-0608	Ø19 x 1.5 thick nitrile "O" seal	1
BU21/9/6	MA-FE-0502	M6 x 6 grub screw - stainless steel	1
Page 2.6	Fig. 10	Pilot light assembly	
BU21/10/1	CR-22-0701	Pilot light element assembly	1
BU21/10/2	CR-22-0712	Pilot light stem	1
BU21/10/3	CR-22-0713	Pilot light jet	1
BU21/10/4	CR-22-0714	Pilot light bulkhead coupling	1
BU21/10/5	MA-FE-0502	M6 x 6 stainless steel drive grub screw	1
BU21/10/6	MA-FE-0600	3/8" BSP bonded washer	1
BU21/10/7	CR-22-0716	Mesh filter	1
BU21/10/8	CR-22-0717	Filter retaining nut	1
Page 2.7	Fig. 11	Liquid fire jet assembly	
BU21/11/1	CR-22-1011	Liquid jet body	1
BU21/11/2	CR-22-1010	Liquid fire adaptor	1
BU21/11/3	MA-FE-0600	3/8" BSP bonded washer	1
Page 2.7	Fig. 12	Slurper tube assembly	
BU21/12/1	CR-22-1510	Slurper tube	1
BU21/12/2	CR-22-1501	Boss assembly	1
BU21/12/3	MA-FE-0501	M4 x 4 grub screw - stainless steel -flat nose	1
BU21/12/4	MA-FE-0506	M6 x 8 stainless steel cap head screw	1
Page 2.8	Fig. 13	Hydraulic main valve assembly	
BU21/13/1	CR-C-2001	Right hand tomac cylinder assembly	1
BU21/13/2R	CR-22-2001	Hydraulic valve assembly - Right hand	1
BU21/13/2L	CR-22-2001	Hydraulic valve assembly - Left hand	1
BU21/13/3	CR-22-2004	Hydraulic hose assembly	1
BU21/13/4	CR-22-2014	3/8" to M8 x 0.75 adaptor - stainless steel	1
BU21/13/5	CR-C-2002	Loctite 542 hydraulic thread sealant	1
BU21/13/6	CR-C-2003	Mineral oil type V0250	1
BU21/13/8	CR-22-2018	Hydraulic valve post spacer	1
BU21/13/9	CR-22-2017	Hydraulic valve post	1
BU21/13/10	MA-FE-0500	M6 x 70 stainless steel cap head screw	1
BU21/13/11	CR-22-2015	Tomac cylinder handle	1
BU21/13/12	CR-22-2016	cylinder handle end cap	1
Page 2.8	Fig. 14	Hydraulic main valve assembly	
BU21/14/1	CR-22-2010	Hydraulic valve bonnet	1
BU21/14/2	CR-22-2011	Hydraulic valve stem	1
BU21/14/3	CR-22-1102	Valve seat assembly	1
BU21/14/4	CR-22-1113	Valve seat sleeve	1
BU21/14/5	CR-22-1201	Left main valve handle assembly	1
BU21/14/6	CR-22-1114	Nylon thrust washer (A - C)	1
BU21/14/7	CR-22-1211	Pivot pin (main valve)	1
BU21/14/8	MA-FE-0701	Spring type D22700 - stainless steel	1
BU21/14/9	MA-FE-0530	M4 standard external circlip	1
BU21/14/10	CR-22-1212	Spring cap	1
BU21/14/11	MA-FE-0700	Spring type D20770 - stainless steel	1
BU21/14/12	CR-22-2012	Hydraulic valve bush	1
BU21/14/13	CR-22-2014	3/8" to M8 brass adaptor	1



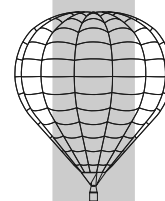
2

**M
K
2
1**

**B
U
R
N
E
R

P
A
R
T
S**

Cat. no.	Part Number	Description	Unit
Page 2.8	Fig.14	Hydraulic main valve assembly	
BU21/14/14	CR-22-2013	Blanking screw	1
BU21/14/15	MA-FE-0653	M8 bonded washer	1
BU21/14/16	CR-22-1401	Right main valve handle assembly	1
BU21/14/17	MA-FE-0651	9 x 2 thick nitrile "O" seal	1
BU21/14/18	MA-FE-0612	M4 x 2 thick nitrile "O" seal	1
Page 2.9	Fig.15	Electric valve block assembly	
BU21/15/1R	CR-22-1625	Electric valve bloc - Right hand	1
BU21/15/1R	CR-22-1725	Electric valve bloc - Left hand	1
BU21/15/2R	CR-22-2100	Electric valve assembly - Right hand	1
BU21/15/2L	CR-22-2101	Electric valve assembly - Left hand	1
BU21/15/3	CR-22-1618	Fuel activated valve post spacer	1
BU21/15/4	CR-22-2017	Hydraulic valve post	1
BU21/15/5	MA-FE-0500	M6 x 70 stainless steel cap head screw	1
BU21/15/6	CR-22-1610	Electric solenoid valve	1
BU21/15/7	MA-FE-0606	14 x 1,78 thick nitrile "O" seal	1
BU21/15/8	CR-22-1716	Solenoid orifice	1
BU21/15/9	CR-09-0157	M4 BSP bonded seal	1
BU21/15/10	CR-22-1713	Barrier strip spacer (inner)	1
BU21/15/11	CR-22-1714	Barrier strip spacer (outer)	1
BU21/15/12	CR-EL-0210	2 way, high barrier terminal strip	1
BU21/15/13	CR-22-1715	Heat shield spacer	1
BU21/15/14	CR-22-1712	Barrier strip heat shield	1
BU21/15/15	CR-01-0030	M5 x 10 st stl cap head screw	1
BU21/15/16	CR-22-2310	Isolation valve body	1
BU21/15/17		Isolation valve seat seal	1
BU21/15/18	CR-09-0156	M4 x 1,5 thick nitrile "O" seal	1
BU21/15/19	CR-22-2311	Isolation valve stem	1
BU21/15/20	MA-FE-0910	M3 x 20 stainless steel cap head screw	1
BU21/15/21	CR-22-2312	Isolation valve knob	1
BU21/15/22	MA-FE-0802	M2 x 20 stainless steel roll pin	1
BU21/15/23	CR-09-0155	M8 x 1.5 thick nitrile "O" seal	1
Page 2.9	Fig.16	Electric main valve assembly	
BU21/16/1	CR-22-2110	Fuel activated valve bonnet	1
BU21/16/2	CR-22-2111	Fuel activated valve stem	1
BU21/16/3	CR-22-1102	Valve seat assembly	1
BU21/16/4	CR-22-1113	Valve seat sleeve	1
BU21/16/5	CR-22-1201	Left main valve handle assembly	1
BU21/16/6	CR-22-1114	Thrust washer	1
BU21/16/7	CR-22-1211	Pivot pin (main valve)	1
BU21/16/8	MA-FE-0701	Stainless steel valve spring - D22700	1
BU21/16/9	MA-FE-0530	M4 standard external circlip to DIN 471	1
BU21/16/10	CR-22-1212	Spring cap	1
BU21/16/11	MA-FE-0700	Stainless steel spring - D20770	1
BU21/16/12	CR-22-2112	Fuel activated valve bush	1
BU21/16/13	CR-09-0130	Nitril buffer	1
BU21/16/14	CR-22-1401	Right main valve handle assembly	1
BU21/16/15	MA-FE-0618	18 x 2 thick nitrile "O" seal	1
BU21/16/16	MA-FE-0617	3 x 1,5 thick nitrile "O" seal	1
BU21/16/17	CR-EL-0330	30 x 1,5 thick nitrile "O" seal	1
BU21/16/18	MA-FE-0612	M4 x 2 thick nitrile "O" seal	1



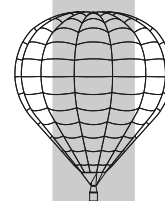
2

MK21

BURNER

PARTS

Cat. no.	Part Number	Description	Unit
Page 2.9	Fig.17	Receiver assembly	
BU21/17/1	CR-EL-0500	Complete box receiver assembly	1
BU21/17/1A	CR-EL-0040	Receiver + antenna + transmitter kit	1
BU21/17/2	CR-EL-0030	Transmitter	1
BU21/17/3	CR-EL-0003	Receiver to burner loom assembly	1
BU21/17/4	CR-EL-0120	PLA cable mount plug	1
BU21/17/5	CR-EL-0110	SKA cable mount plug	1
BU21/17/6	CR-EL-0100	Fixed PLA cable mount plug	1
BU21/17/7	CR-EL-0090	Fixed SKA cable mount plug	1
BU21/17/8	CR-EL-0060	Battery receiver charger	1
BU21/17/9	CR-EL-0050	12 Volts battery	1
BU21/17/10	CR-EL-0025	Receiver cover	1
Page 2.10	Fig.18	Cruise control valve assembly	
BU21/18/1	CR-22-2410	Valve bonnet	1
BU21/18/2	CR-22-2411	Valve stem	1
BU21/18/3	CR-22-1102	Valve seat assy	1
BU21/18/4	CR-22-1113	Valve seat sleeve	1
BU21/18/5	CR-22-1116	Liquid valve handle	1
BU21/18/6	CR-22-1114	Thrust washer	1
BU21/18/7	CR-22-1117	Pivot pin	1
BU21/18/8	MA-FE-0701	Stainless steel valve spring - D22700	1
BU21/18/9	MA-FE-0503	M2,5 x 3 stainless steel flat point grub screw	1
BU21/18/10	CR-22-1119	Liquid valve handle (dead man's)	1
BU21/18/11R	CR-22-2416	Cam right hand	1
BU21/18/11L	CR-22-2412	Cam left hand	1
BU21/18/12	CR-22-2414	Lock nut	1
BU21/18/13R	CR-22-2413	Cam follower (Right hand)	1
BU21/18/13L	CR-22-2417	Cam follower (Left hand)	1
BU21/18/14		M3 stainless steel modified screw	1
BU21/18/15	MA-FE-0612	M4 x 2 thick nitrile "O" seal	1
BU21/18/16	CR-25-0610	Handle lever (blue)	1
BU21/18/17	CR-08-0010	M6 x 45 stainless steel cap head screw	1
BU21/18/18R	CR-22-2400	Cruise control valve assembly - Right hand	1
BU21/18/18L	CR-22-2400	Cruise control valve assembly - Left hand	1
Page 2.10	Fig.22	Vapour pilot light assembly	
BU21/22/1	CR-22-2810	Vapour valve body	1
BU21/22/2	CR-22-2805	Vapour ball valve 1/4"NPT - Right hand	1
BU21/22/3	CR-22-2806	Vapour ball valve 1/4"NPT - Left hand	1
BU21/22/4	MA-FE-0622	Ø21 x 3 thick nitril valve body "O" seal	1
BU21/22/5	MA-FE-0605	Ø22 x 2,5 thick nitril valve body "O" seal	1
BU21/22/6	CR-C-0430	Ball valve handle colour red	1
BU21/22/7	CR-03-0030	M4 x 20 st stl conical sink screw	1
BU21/22/8	MA-FE-0505	M4 x 8 st std cap head screw	1



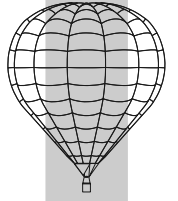
2

MK21

BURNER

PARTS

Cat. no.	Part Number	Description	Unit
Page 2.11	Fig.21	Gimbal block assembly	
BU21/21/1	CR-22-2510	Gimbal block body	1
BU21/21/2	CR-22-2512	Gimbal block 30mm hanger tube end cap	1
BU21/21/3	CR-22-2511	Gimbal block 35mm tube end cap	1
BU21/21/4	CR-C-0260	M6 x 25 stainless steel cap head screw	1
BU21/21/5	MA-FE-0860	M6 stainless steel crinkle washer	1
BU21/21/6	CR-22-2515	Friction bearing	1
BU21/21/7	MA-FE-0850	M6 x 16 stainless steel flat point grub screw	1
BU21/21/8	MA-FE-0170	M5 x 20 stainless steel cap head screw	1
BU21/21/9	MA-FE-0072	M5 stainless steel spring lock washer	1
BU21/21/10	CR-22-2516	Rotation stop stainless steel	1
BU21/21/11	MA-FE-0855	M5 x 10 stainless steel counter sink screw	1
BU21/21/12	CR-22-2517	Detent block	1
BU21/21/13	MA-FE-0865	M4 x 6 stainless steel counter sink screw	1
BU21/21/14	MA-FE-0840	M5 x 25 stainless steel cap head screw	1
Page 2.12	Fig.19 & 19A	MK-21 triple burner configuration	
BU21/19/1	CR-24-0012	Quad support bar (old style)	1
BU21/19/2	CR-22-0012	Support bar std (double burner / old style)	1
BU21/19/3	CR-23-0200	Triple handle assembly (old style)	1
BU21/19/4	CR-23-0001	Centre piece assembly (old style)	1
BU21/19/5	CR-23-0010	Swivel boss (old style)	1
BU21/19/6	MA-FE-0090	M6 stainless steel plain washer	1
BU21/19/7	CR-03-0170	M6 brass lock nut	1
BU21/19/8	CR-09-0080	M6 x 16 stainless steel cap head screw	1
BU21/19/9	MA-FE-0090	M6 stainless steel plain washer	1
BU21/19/10	CR-22-2500	Gimbal block assembly	1
BU21/19/11	CR-23-0200	Triple handle assembly (gimbal block)	1
BU21/19/12	CR-23-0100	Triple hanger assembly	1
Page 2.13	Fig.20 & 20A	MK-21 quad burner configuration	
BU21/20/1	CR-24-0012	Quad support bar (old style)	1
BU21/20/2	CR-24-0200	Quad handle assembly	1
BU21/20/3	CR-24-0100	Quad hanger assembly (old style)	1
BU21/20/4	MA-FE-0090	M6 stainless steel plain washer	1
BU21/20/5	CR-03-0170	M6 brass lock nut	1
BU21/20/6	CR-09-0080	M6 x 16 stainless steel cap head screw	1
BU21/20/7	CR-22-2500	Gimbal block assembly	1
BU21/20/8	CR-24-0100	Quad hanger assembly (gimbal block)	1



2B

POWERPLUS
MAXI
DOUBLE
BURNER
PARTS

ITEM	DESCRIPTION	PART No
1	ULTRAMAGIC GIMBAL BLOCK ASSEMBLY	BU21/1/23
2	RIGHT VALVE BLOCK	PPM/1/2
3	LEFT VALVE BLOCK	PPM/1/3
4	BAR HANDLE CONNECTION	PPM/1/4
5	M5x20 ST STL CAP HEAD SCREW	PPM/1/5
6	FUEL CONNECTOR (Rego or Tema)	SEE HOSES
7	FUEL HOSE ASSY (For Rego or Tema)	SEE HOSES

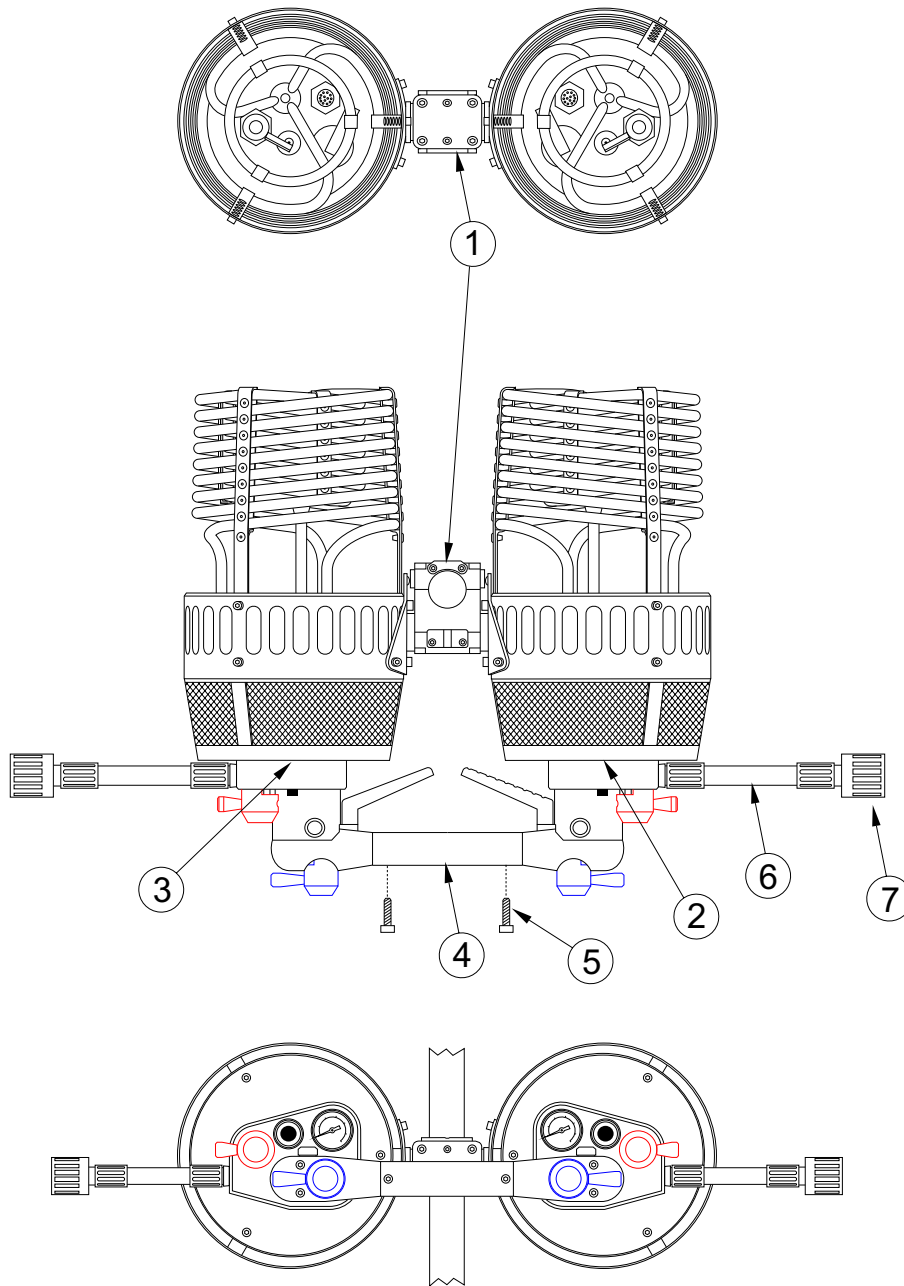
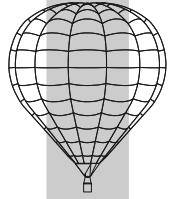


FIGURE 1 PPM
POWERPLUS MAXI DOUBLE BURNER ARRANGEMENT



2B

POWERPLUS
MAXI
DOUBLE
BURNER
PARTS

ITEM	DESCRIPTION	PART No
1	RIGHT SIDE BURNER COIL	PPM/2/1
2	LEFT SIDE BURNER COIL	PPM/2/2
3	BURNER CAN	PPM/2/3
4	CAN PROTECTION NET	PPM/2/4
5	GIMBAL MOUNTING BRACKET ASSY	PPM/2/5
6	LOWER JET RING	PPM/2/6
7	SLURPER TUBE ASSY	PPM/2/7
8	COIL "O" SEAL	PPM/2/8
9	SLURPER TUBE MODIFIED SCREW	PPM/2/9
10	M5x16 ST STL CAP HEAD SCREW	PPM/2/10
11	M5x12 ST STL CAP HEAD SCREW	PPM/2/11
12	M5 ST STL LOCK NUT	PPM/2/12
13	M5x25 ST STL CAP HEAD SCREW	PPM/2/13 </td
14	BI-METAL STRIP	PPM/2/14
15	M4x12 ST STL PAN HEAD SCREW	PPM/2/15

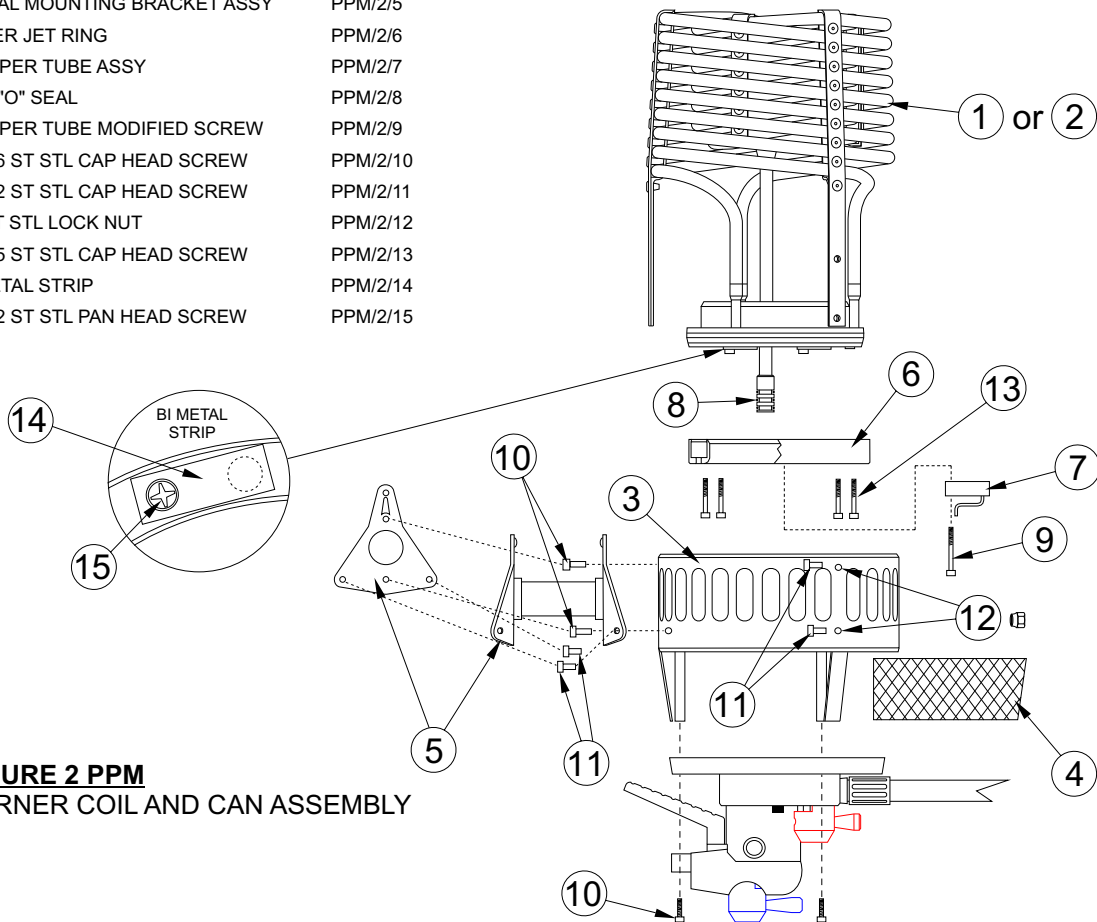


FIGURE 2 PPM
BURNER COIL AND CAN ASSEMBLY

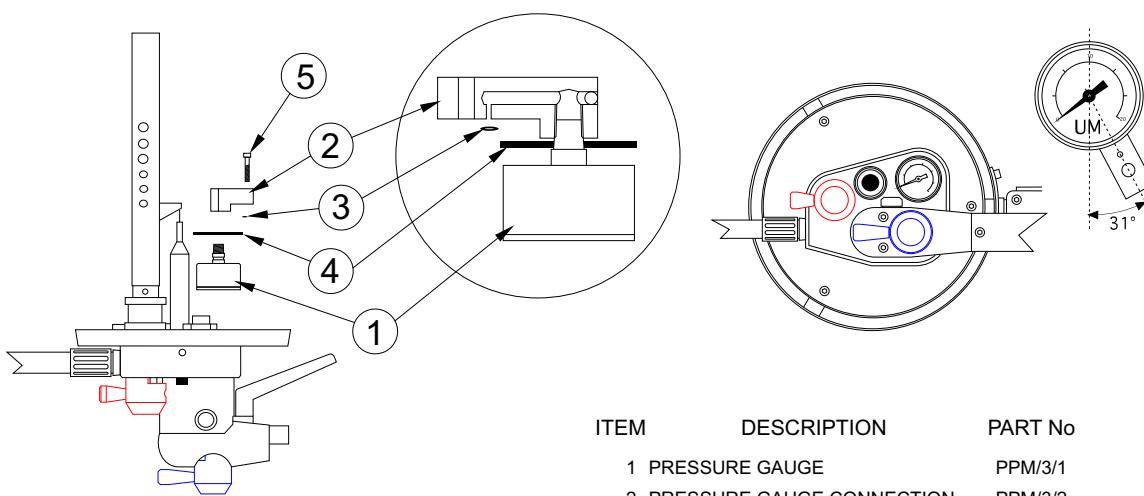
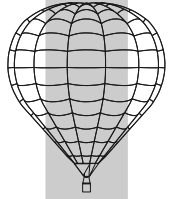


FIGURE 3 PPM
PRESSURE GAUGE ASSEMBLY

ITEM	DESCRIPTION	PART No
1	PRESSURE GAUGE	PPM/3/1
2	PRESSURE GAUGE CONNECTION	PPM/3/2
3	PRESSURE GAUGE "O" SEAL	PPM/3/3
4	PRESSURE GAUGE BODY SEAL	PPM/3/4
5	M5x25 ST STL CAP HEAD SCREW	PPM/3/5

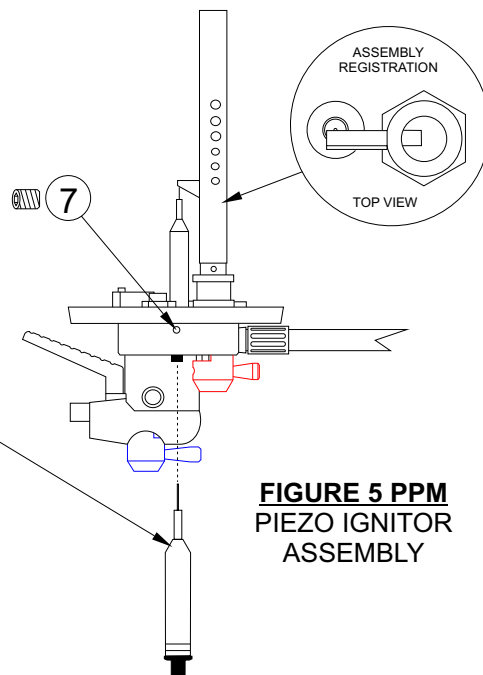
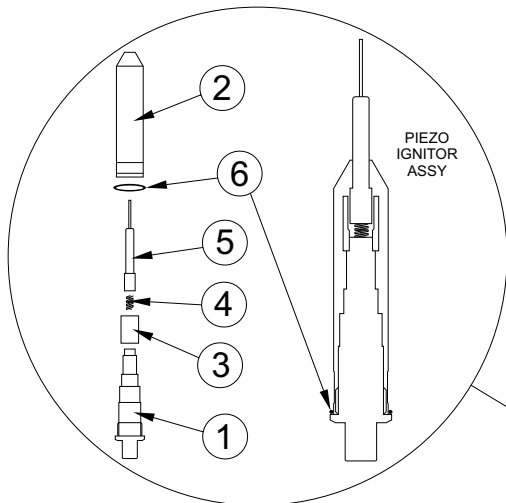
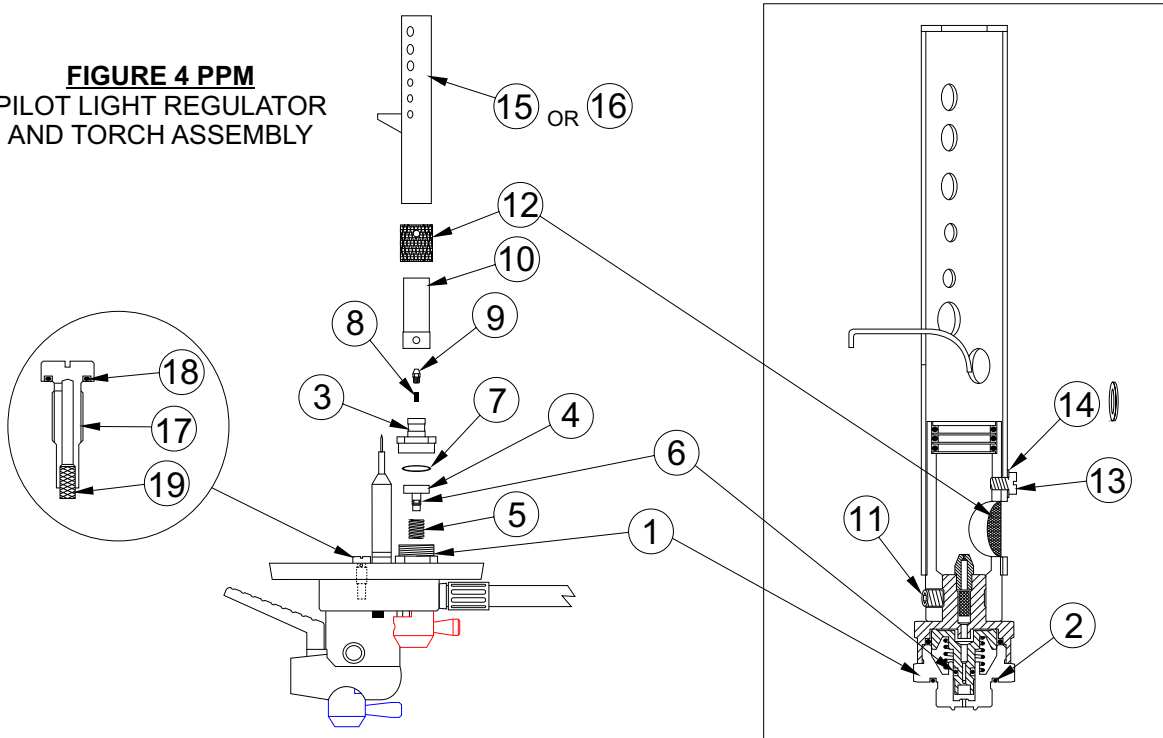


2B

POWERPLUS MAXI DOUBLE BURNER PARTS

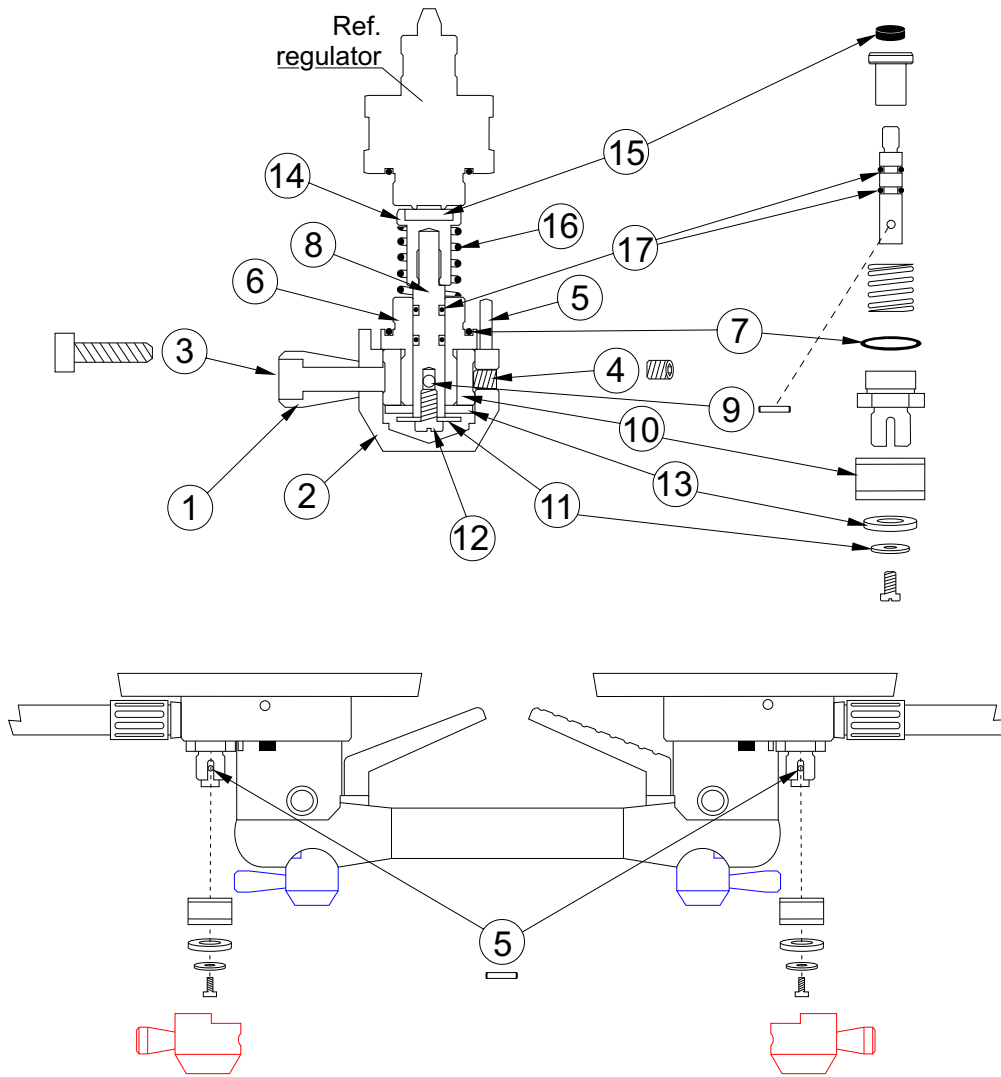
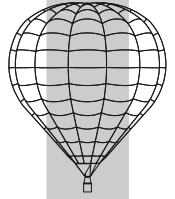
ITEM	DESCRIPTION	PART No	ITEM	DESCRIPTION	PART No
1	PILOT LIGHT REGULATOR LOWER BODY	PPM/4/1	11	M6x6 ST STL GRUB SCREW	PPM/4/11
2	LOWER BODY "O" SEAL	PPM/4/2	12	PILOT FLAME TUBE GAUZE	PPM/4/12
3	PILOT LIGHT REGULATOR UPPER BODY	PPM/4/3	13	M4x5 ST STL FLAT DRIVE SCREW	PPM/4/13
4	PILOT LIGHT REGULADOR PISTON	PPM/4/4	14	M4 ST STL WASHER	PPM/4/14
5	PILOT LIGHT REGULATOR SPRING	PPM/4/5	15	RIGHT TORCH UPPER TUBE	PPM/4/15
6	REGULATOR STEM PISTON "O" SEAL	PPM/4/6	16	LEFT TORCH UPPER TUBE	PPM/4/16
7	REGULATOR PISTON LARGE "O" SEAL	PPM/4/7	17	PILOT LIGHT INLET FILTER HOUSING	PPM/4/17
8	PILOT FLAME JET FILTER	PPM/4/8	18	FILTER HOUSING "O" SEAL	PPM/4/18
9	PILOT FLAME JET	PPM/4/9	19	PILOT LIGHT FUEL FILTER	PPM/4/19
10	PILOT FLAME LOWER TUBE	PPM/4/10			

**FIGURE 4 PPM
PILOT LIGHT REGULATOR
AND TORCH ASSEMBLY**



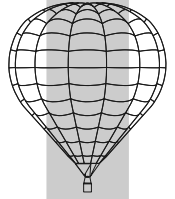
**FIGURE 5 PPM
PIEZO IGNITOR
ASSEMBLY**

ITEM	DESCRIPTION	PART No
1	PIEZO IGNITOR UNIT	PPM/5/1
2	PIEZO IGNITOR SUPPORT TUBE	PPM/5/2
3	PIEZO IGNITOR INSULATOR	PPM/5/3
4	PIEZO IGNITOR SPRING	PPM/5/4
5	PIEZO IGNITOR CERAMIC ELECTRODE	PPM/5/5
6	STOP WATER "O" SEAL	PPM/5/6
7	M6x8 ST STL GRUB SCREW	PPM/5/7



ITEM	DESCRIPTION	PART No	ITEM	DESCRIPTION	PART No
1	PILOT VALVE HANDLE	PPM/6/1	10	PILOT VALVE CAM	PPM/6/10
2	PILOT VALVE KNOB	PPM/6/2	11	STOP STEM WASHER	PPM/6/11
3	M6x20 ST STL CAP HEAD SCREW	PPM/6/3	12	M4x8 ST STL FLAT DRIVE SCREW	PPM/6/12
4	M6x6 ST STL GRUB SCREW	PPM/6/4	13	ANTI-FRICTION WASHER	PPM/6/13
5	ROTATION STOP PIN	PPM/6/5	14	PILOT VALVE SHUTTER	PPM/6/14
6	PILOT VALVE BONNET	PPM/6/6	15	SHUTTER SEAL PAD	PPM/6/15
7	PILOT VALVE BONNET "O" SEAL	PPM/6/7	16	PILOT VALVE SPRING	PPM/6/16
8	PILOT VALVE STEM	PPM/6/8	17	PILOT VALVE STEM "O" SEAL	PPM/6/17
9	ANTI-ROTATION PIN	PPM/6/9			

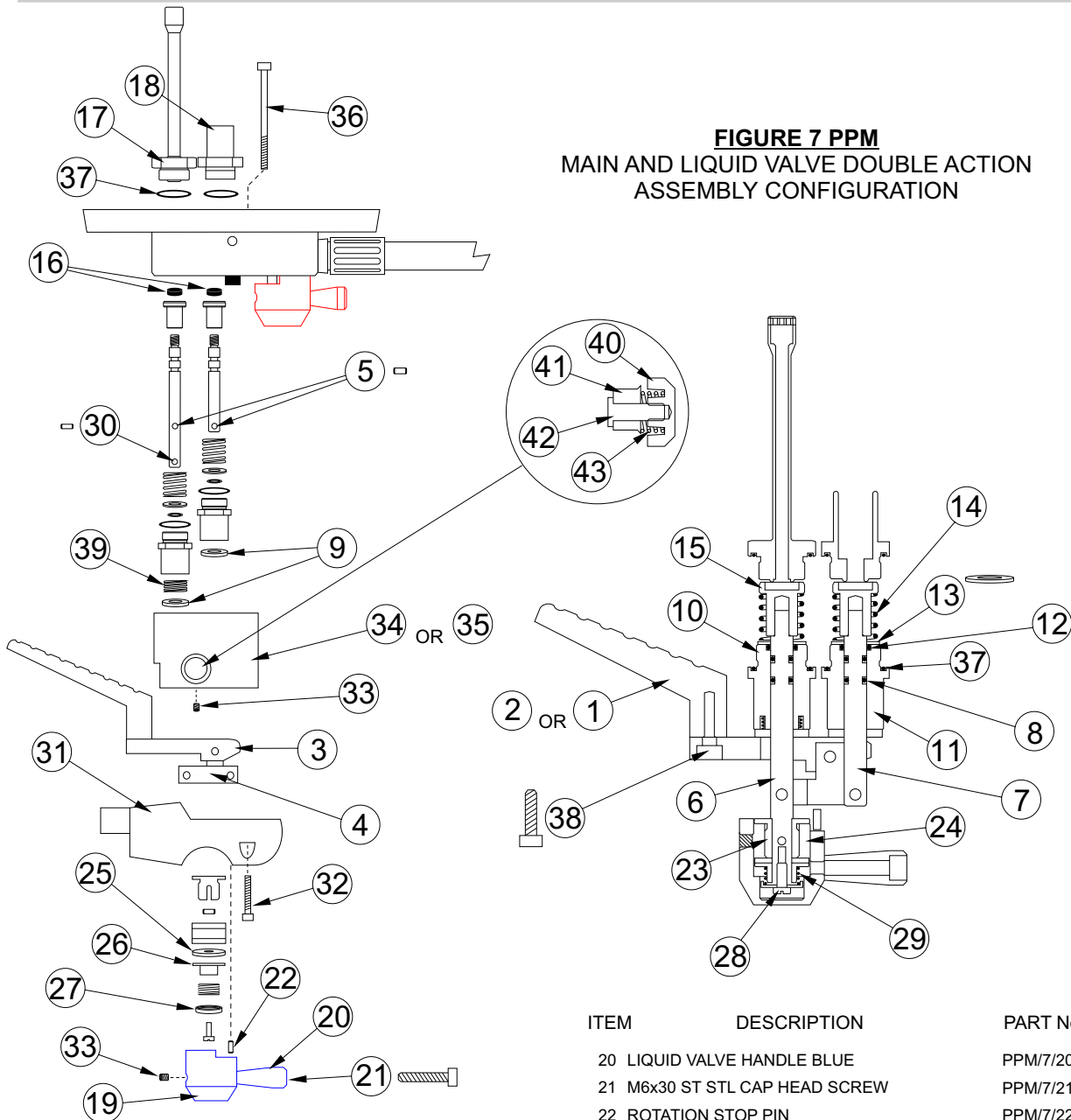
FIGURE 6 PPM
PILOT FLAME VALVE ASSEMBLY



2B

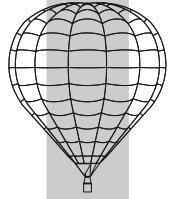
POWERPLUS
MAXI
DOUBLE
BURNER
PARTS

FIGURE 7 PPM
MAIN AND LIQUID VALVE DOUBLE ACTION
ASSEMBLY CONFIGURATION



ITEM	DESCRIPTION	PART No
1	BLAST VALVE RIGHT HANDLE	PPM/7/1
2	BLAST VALVE LEFT HANDLE	PPM/7/2
3	BLAST VALVE CAM	PPM/7/3
4	CONNECTION CAM / STEM	PPM/7/4
5	DOUBLE ACTION HANDLE PIN	PPM/7/5
6	LIQUID VALVE STEM	PPM/7/6
7	BLAST VALVE STEM	PPM/7/7
8	VALVE STEM "O" SEAL	PPM/7/8
9	BLAST / LIQUID ANTI-FRICTION WASHER	PPM/7/9
10	BLAST VALVE CENTRE BODY	PPM/7/10
11	LIQUID VALVE CENTRE BODY	PPM/7/11
12	PTFE ENERGIZED "O" SEAL	PPM/7/12
13	WASHER STOP PTFE SEAL	PPM/7/13
14	BLAST / PILOT / LIQUID VALVE SPRING	PPM/7/14
15	BLAST / PILOT / LIQUID VALVE SHUTTER	PPM/7/15
16	BLAST / PILOT / LIQUID VALVE SEAL PAD	PPM/7/16
17	LIQUID JET SLEEVE	PPM/7/17
18	BLAST VALVE SLEEVE	PPM/7/18
19	LIQUID VALVE EXTERNAL BODY BLUE	PPM/7/19

ITEM	DESCRIPTION	PART No
20	LIQUID VALVE HANDLE BLUE	PPM/7/20
21	M6x30 ST STL CAP HEAD SCREW	PPM/7/21
22	ROTATION STOP PIN	PPM/7/22
23	LIQUID VALVE BONNET	PPM/7/23
24	RING TO OPEN VALVE	PPM/7/24
25	LIQUID ANTI-FRICTION WASHER	PPM/7/25
26	LIQUID SPRING SUPPORT	PPM/7/26
27	LIQUID VALVE STOP STEM	PPM/7/27
28	M4x8 ST STL FLAT DRIVE SCREW	PPM/7/28
29	LIQUID VALVE BONNET SPRING	PPM/7/29
30	ANTI-ROTATION STEM PIN	PPM/7/30
31	BAR END CAP	PPM/7/31
32	M5x25 ST STL CAP HEAD SCREW	PPM/7/32
33	M6x6 ST STL GRUB SCREW	PPM/7/33
34	EXTERNAL BODY RIGHT	PPM/7/34
35	EXTERNAL BODY LEFT	PPM/7/35
36	M5x50 ST STL CAP HEAD SCREW	PPM/7/36
37	BLAST / LIQUID VALVE BODY "O" SEAL	PPM/7/37
38	M5x20 ST STL CAP HEAD SCREW	PPM/7/38
39	BLAST VALVE CENTRE BODY SPRING	PPM/7/39
40	SAFETY BUTTON	PPM/7/40
41	SAFETY BUTTON STEM	PPM/7/41
42	SAFETY BUTTON SUPPORT	PPM/7/42
43	SAFETY BUTTON SPRING	PPM/7/43



2B

POWERPLUS
MAXI
TRIPLE/
QUAD
BURNER

ITEM	DESCRIPTION	PART No
1	ULTRAMAGIC GIMBAL BLOCK ASSEMBLY	BU21/19/12
2	TRIPLE GIMBAL MOUNTING BRACKET ASSY	PPT/8/2
3	TRIPLE BAR HANDLE CONNECTION SHORT	PPT/8/3
4	TRIPLE BAR HANDLE CONNECTION LONG	PPT/8/4
5	M5x35 ST STL CAP HEAD SCREW	PPT/8/5
6	M5x16 ST STL CAP HEAD SCREW	PPT/8/6
7	M5x12 ST STL CAP HEAD SCREW	PPT/8/7
8	M5 ST STL LOCK NUT	PPT/8/8

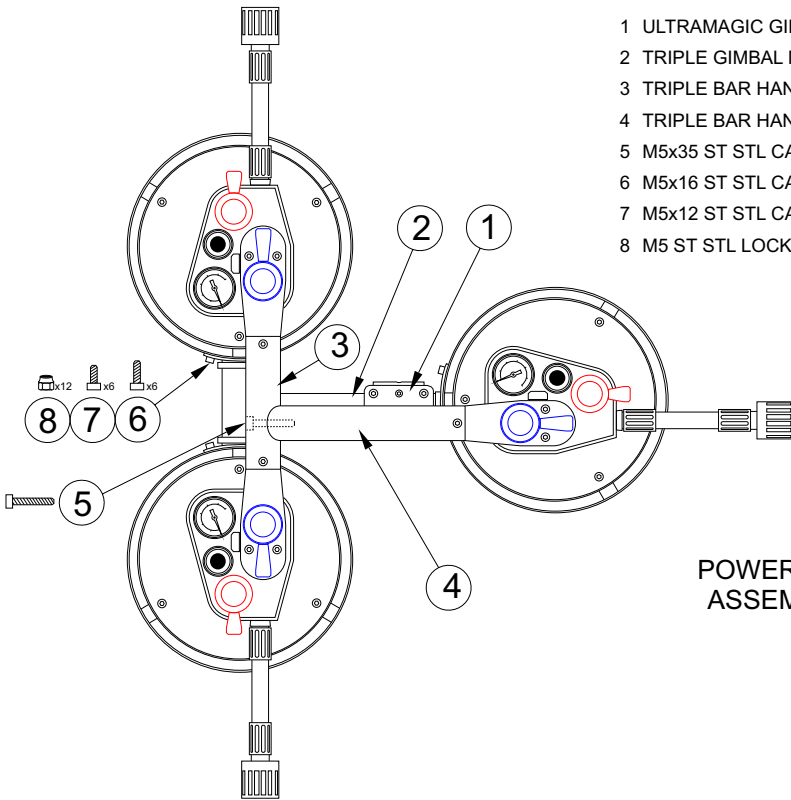
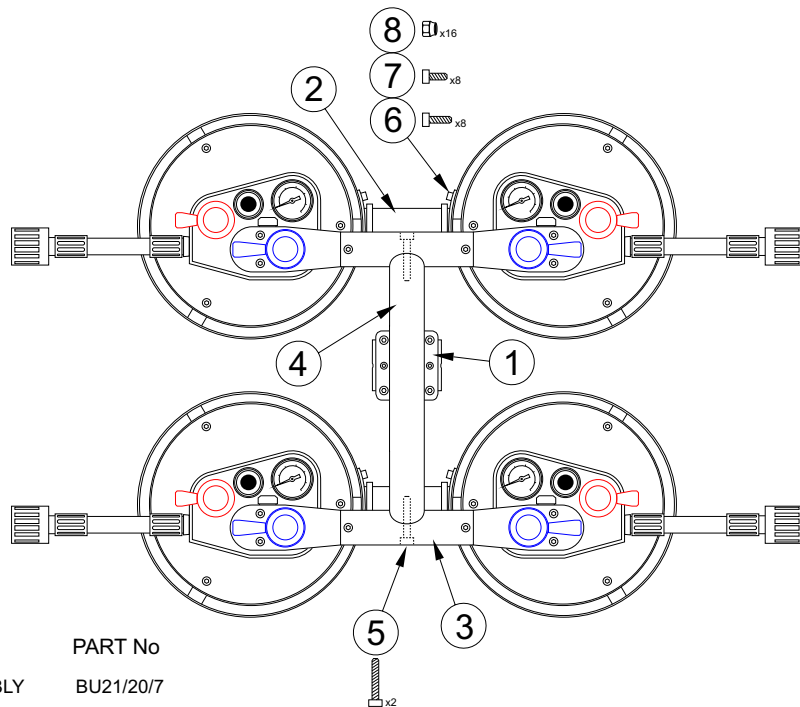
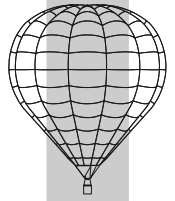


FIGURE 8 PPT
POWERPLUS TRIPLE BURNER
ASSEMBLY CONFIGURATION

FIGURE 9 PPQ
POWERPLUS QUAD BURNER
ASSEMBLY CONFIGURATION



ITEM	DESCRIPTION	PART No
1	ULTRAMAGIC GIMBAL BLOCK ASSEMBLY	BU21/20/7
2	QUAD GIMBAL MOUNTING BRACKET ASSY	PPQ/9/2
3	QUAD BAR HANDLE CONNECTION SHORT	PPQ/9/3
4	QUAD BAR HANDLE CONNECTION LONG	PPQ/9/4
5	M5x35 ST STL CAP HEAD SCREW	PPQ/9/5
6	M5x16 ST STL CAP HEAD SCREW	PPQ/9/6
7	M5x12 ST STL CAP HEAD SCREW	PPQ/9/7
8	M5 ST STL LOCK NUT	PPQ/9/8



2B

**P
O
W
E
R
P
L
U
S

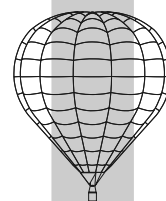
M
A
X
I

D
O
U
B
L
E

B
U
R
N
E
R

P
A
R
T
S**

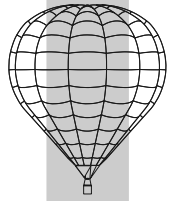
Cat. no.	Part Number	Description	Unit
Page 2B.1 Fig.1 Powerplus Maxi double burner arrangement			
BU21/1/23	CR-22-2500	Ultramagic gimbal block assembly	1
PPM/1/2	CR-PPM-D031	Right valve block	1
PPM/1/3	CR-PPM-E031	Left valve block	1
PPM/1/4	CR-PPD-0073	Bar handle connection	1
PPM/1/5	MA-FE-0170	M5x20 st stl cap head screw	1
Page 2B.2 Fig.2 Burner coil and can assembly			
PPM/2/1	CR-PPM-D115	Right side burner coil	1
PPM/2/2	CR-PPM-E115	Left side burner coil	1
PPM/2/3	CR-PPM-0016	Burner can	1
PPM/2/4	CR-PPM-0134	Can protection net	1
PPM/2/5	CR-PPM-0135	Gimbal mounting bracket assy	1
PPM/2/6	CR-PPM-0124	Lower jet ring	1
PPM/2/7	CR-PPM-0030	Slurper tube assy	1
PPM/2/8	CR-PP-0327	Coil "o" seal	1
PPM/2/9	CR-PPM-0083	Slurper tube modified screw	1
PPM/2/10	CR-PP-0013	M5x16 st stl cap head screw	1
PPM/2/11	CR-PP-0011	M5x12 st stl cap head screw	1
PPM/2/12	CR-PP-0111	M5 st stl lock nut	1
PPM/2/13	MA-FE-0840	M5x25 st stl cap head screw	1
PPM/2/14	CR-PPD-0127	Bi-metal strip	1
PPM/2/15	CR-PP-0041	M4x12 st stl pan head screw	1
Page 2B.2 Fig.3 Pressure gauge assembly			
PPM/3/1	CR-PPD-0062	Pressure gauge	1
PPM/3/2	CR-PPD-0063	Pressure gauge connection	1
PPM/3/3	CR-PP-0322	Pressure gauge "o" seal	1
PPM/3/4	CR-PPD-0064	Pressure gauge body seal	1
PPM/3/5	MA-FE-0840	M5x25 st stl cap head screw	1
Page 2B.3 Fig.4 Pilot light regulator and torch assembly			
PPM/4/1	CR-PPD-0043	Pilot light regulator lower body	1
PPM/4/2	CR-PP-0326	Lower body "o" seal	1
PPM/4/3	CR-PPD-0039	Pilot light regulator upper body	1
PPM/4/4	CR-PPD-0040	Pilot light regulator piston	1
PPM/4/5	CR-PPD-0091	Pilot light regulator spring	1
PPM/4/6	CR-PP-0311	Regulator stem piston "o" seal	1
PPM/4/7	CR-PP-0312	Regulator piston large "o" seal	1
PPM/4/8	CR-PPD-0038	Pilot flame jet filter	1
PPM/4/9	CR-PPD-0037	Pilot flame jet	1
PPM/4/10	CR-PPD-0035	Pilot flame lower tube	1
PPM/4/11	CR-N-0040	M6x6 st stl grub screw	1
PPM/4/12	CR-PPD-0036	Pilot flame tube gauze	1
PPM/4/13	CR-PP-0031	M4x5 st stl flat drive screw	1
PPM/4/14	CR-PP-0201	M4 st stl washer	1
PPM/4/15	CR-PPM-D032	Right torch upper tube	1
PPM/4/16	CR-PPM-E032	Left torch upper tube	1
PPM/4/17	CR-PPD-0065	Pilot light inlet filter housing	1
PPM/4/18	CR-PP-0321	Filter housing "o" seal	1
PPM/4/19	CR-PPD-0038	Pilot light fuel filter	1



2B

POWERPLUS
MAXI
DOUBLE
BURNER
PARTS

Cat. no.	Part Number	Description	Unit
Page 2B.3	Fig.5	Piezo ignitor assembly	
PPM/5/1	CR-PPD-0061	Piezo ignitor unit	1
PPM/5/2	CR-PPD-0057	Piezo ignitor support tube	1
PPM/5/3	CR-PPD-0060	Piezo ignitor insulator	1
PPM/5/4	CR-PPD-0059	Piezo ignitor spring	1
PPM/5/5	CR-PPD-0058	Piezo ignitor ceramic electrode	1
PPM/5/6	CR-PP-0324	Stop water "o" seal	1
PPM/5/7	CR-PP-0022	M6x8 st stl grub screw	1
Page 2B.4	Fig.6	Pilot flame valve assembly	
PPM/6/1	CR-PPD-V055	Pilot valve handle	1
PPM/6/2	CR-PPD-V054	Pilot valve knob	1
PPM/6/3	CR-C-0250	M6x20 st stl cap head screw	1
PPM/6/4	CR-N-0040	M6x6 st stl grub screw	1
PPM/6/5	CR-PPD-0082	Rotation stop pin	1
PPM/6/6	CR-PPD-0049	Pilot valve bonnet	1
PPM/6/7	CR-PP-0326	Pilot valve bonnet "o" seal	1
PPM/6/8	CR-PPD-0046	Pilot valve stem	1
PPM/6/9	CR-PPD-0082	Anti-rotation pin	1
PPM/6/10	CR-PPD-0050	Pilot valve cam	1
PPM/6/11	CR-PPD-0087	Stop stem washer	1
PPM/6/12	CR-PP-0032	M4x8 st stl flat drive screw	1
PPM/6/13	CR-PPD-0084	Anti-friction washer	1
PPM/6/14	CR-PPD-0045	Pilot valve shutter	1
PPM/6/16	CR-PPD-0091	Pilot valve spring	1
PPM/6/17	CR-PP-0323	Pilot valve stem "o" seal	1
Page 2B.5	Fig.7	Main and liquid valve double action assembly	
PPM/7/1	CR-PPD-D070	Blast valve right handle	1
PPM/7/2	CR-PPD-E070	Blast valve left handle	1
PPM/7/3	CR-PPD-0076	Blast valve cam	1
PPM/7/4	CR-PPD-0077	Connection cam / stem	1
PPM/7/5	CR-PPD-0081	Double action handle pin	1
PPM/7/6	CR-PPM-L078	Liquid valve stem	1
PPM/7/7	CR-PPD-P078	Blast valve stem	1
PPM/7/8	CR-PP-0323	Valve stem "o" seal	1
PPM/7/9	CR-PPD-0080	Blast / liquid anti-friction washer	1
PPM/7/10	CR-PPD-P079	Blast valve centre body	1
PPM/7/11	CR-PPD-L079	Liquid valve centre body	1
PPM/7/12	CR-PP-0301	Ptfe energized "o" seal	1
PPM/7/13	CR-PPD-0088	Washer stop ptfe seal	1
PPM/7/14	CR-PPD-0090	Blast / pilot / liquid valve spring	1
PPM/7/15	CR-PPD-0045	Blast / pilot / liquid valve shutter	1
PPM/7/17	CR-PPM-0075	Liquid jet sleeve	1
PPM/7/18	CR-PPM-0074	Blast valve sleeve	1
PPM/7/19	CR-PPM-0053	Liquid valve external body blue	1
PPM/7/20	CR-PPM-0056	Liquid valve handle blue	1
PPM/7/21	MA-FE-0449	M6x30 st stl cap head screw	1
PPM/7/22	CR-PPD-0082	Rotation stop pin	1
PPM/7/23	CR-PPM-0048	Liquid valve bonnet	1



2B

**P
O
W
E
R
P
L
U
S

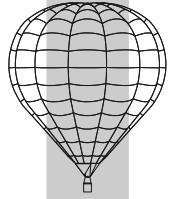
M
A
X
I

D
O
U
B
L
E

B
U
R
N
E
R

P
A
R
T
S**

Cat. no.	Part Number	Description	Unit
Page 2B.5	Fig.7	Main and liquid valve double action assembly	
PPM/7/24	CR-PPD-0050	Ring to open valve	1
PPM/7/25	CR-PPD-0084	Liquid anti-friction washer	1
PPM/7/26	CR-PPM-0085	Liquid spring support	1
PPM/7/27	CR-PPM-0086	Liquid valve stop stem	1
PPM/7/28	CR-PP-0032	M4x8 st stl flat drive screw	1
PPM/7/29	CR-PPM-0092	Liquid valve bonnet spring	1
PPM/7/30	CR-PPD-0082	Anti-rotation stem pin	1
PPM/7/31	CR-PPM-0072	Bar end cap	1
PPM/7/32	MA-FE-0840	M5x25 st stl cap head screw	1
PPM/7/33	CR-N-0040	M6x6 st stl grub screw	1
PPM/7/34	CR-PPD-D071	External body right	1
PPM/7/35	CR-PPD-E071	External body left	1
PPM/7/36	CR-PP-0017	M5x50 st stl cap head screw	1
PPM/7/37	CR-PP-0326	Blast / liquid valve body "o" seal	1
PPM/7/38	MA-FE-0170	M5x20 st stl cap head screw	1
PPM/7/39	CR-PPD-0094	Blast valve centre body spring	1
PPM/7/40	CR-PPD-0066	Safety button	1
PPM/7/41	CR-PPD-0067	Safety button stem	1
PPM/7/42	CR-PPD-0068	Safety button support	1
PPM/7/43	CR-PPD-0093	Safety button spring	1
Page 2B.6	Fig.8	Powerplus Triple burner assembly configuration	
BU21/19/12	CR-22-2500	Ultramagic gimbal block assembly	1
PPT/8/2	CR-PPT-0136	Triple gimbal mounting bracket assy	1
PPT/8/3	CR-PPT-C073	Triple bar handle connection short	1
PPT/8/4	CR-PPT-L073	Triple bar handle connection long	1
PPT/8/5	CR-PP-0019	M5x35 st stl cap head screw	1
PPT/8/6	CR-PP-0013	M5x16 st stl cap head screw	1
PPT/8/7	CR-PP-0011	M5x12 st stl cap head screw	1
PPT/8/8	CR-PP-0111	M5 st stl lock nut	1
Page 2B.6	Fig.9	Powerplus Quad burner assembly configuration	
BU21/20/7	CR-22-2500	Ultramagic gimbal block assembly	1
PPQ/9/2	CR-PPQ-0137	Quad gimbal mounting bracket assy	1
PPQ/9/3	CR-PPQ-C073	Quad bar handle connection short	1
PPQ/9/4	CR-PPQ-L073	Quad bar handle connection long	1
PPQ/9/5	CR-PP-0019	M5x35 st stl cap head screw	1
PPQ/9/6	CR-PP-0013	M5x16 st stl cap head screw	1
PPQ/9/7	CR-PP-0011	M5x12 st stl cap head screw	1
PPQ/9/8	CR-PP-0111	M5 st stl lock nut	1



2B

**P
O
W
E
R
P
L
U
S

D
O
U
B
L
E

B
U
R
N
E
R

P
A
R
T
S**

ITEM	DESCRIPTION	PART No
1	ULTRAMAGIC GIMBAL BLOCK ASSEMBLY	BU21/1/23
2	RIGHT VALVE BLOCK	PPD/1/2
3	LEFT VALVE BLOCK	PPD/1/3
4	BAR HANDLE CONNECTION	PPD/1/4
5	M5x20 ST STL CAP HEAD SCREW	PPD/1/5
6	FUEL CONNECTOR (Rego or Tema)	SEE HOSES
7	FUEL HOSE ASSY (For Rego or Tema)	SEE HOSES

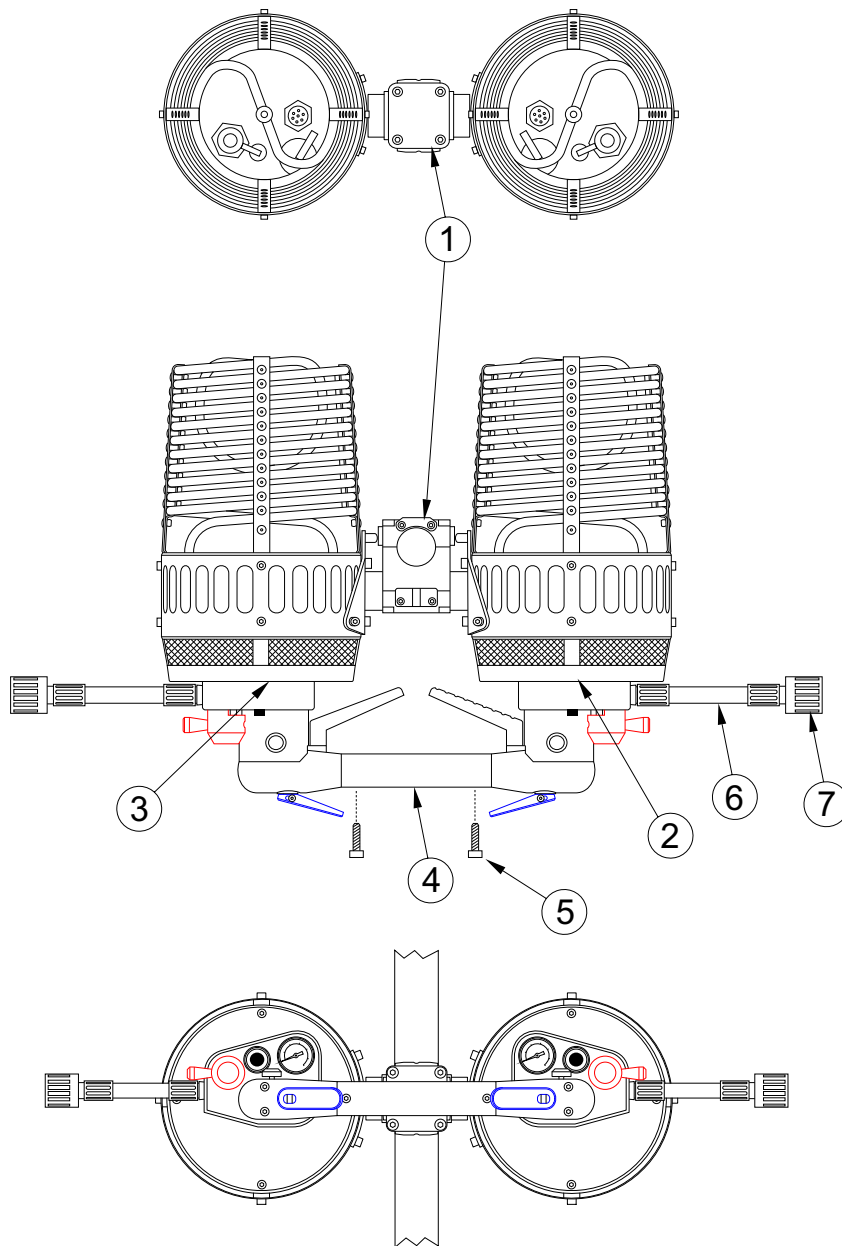
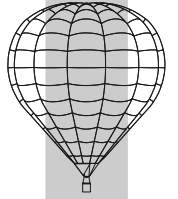


FIGURE 1 PPD
POWERPLUS DOUBLE BURNER CONFIGURATION



ITEM	DESCRIPTION	PART No
1	BURNER COIL	PPD/2/1
2	BURNER CAN	PPD/2/2
3	CAN PROTECTION NET	PPD/2/3
4	GIMBAL MOUNTING BRACKET ASSY	PPD/2/4
5	LOWER JET RING	PPD/2/5
6	COIL "O" SEAL	PPD/2/6
7	M5x16 ST STL CAP HEAD SCREW	PPD/2/7
8	M5x12 ST STL CAP HEAD SCREW	PPD/2/8
9	M5 ST STL LOCK NUT	PPD/2/9
10	M5x25 ST STL CAP HEAD SCREW	PPD/2/10
11	BI-METAL STRIP	PPD/2/11
12	M4x12 ST STL PAN HEAD SCREW	PPD/2/12

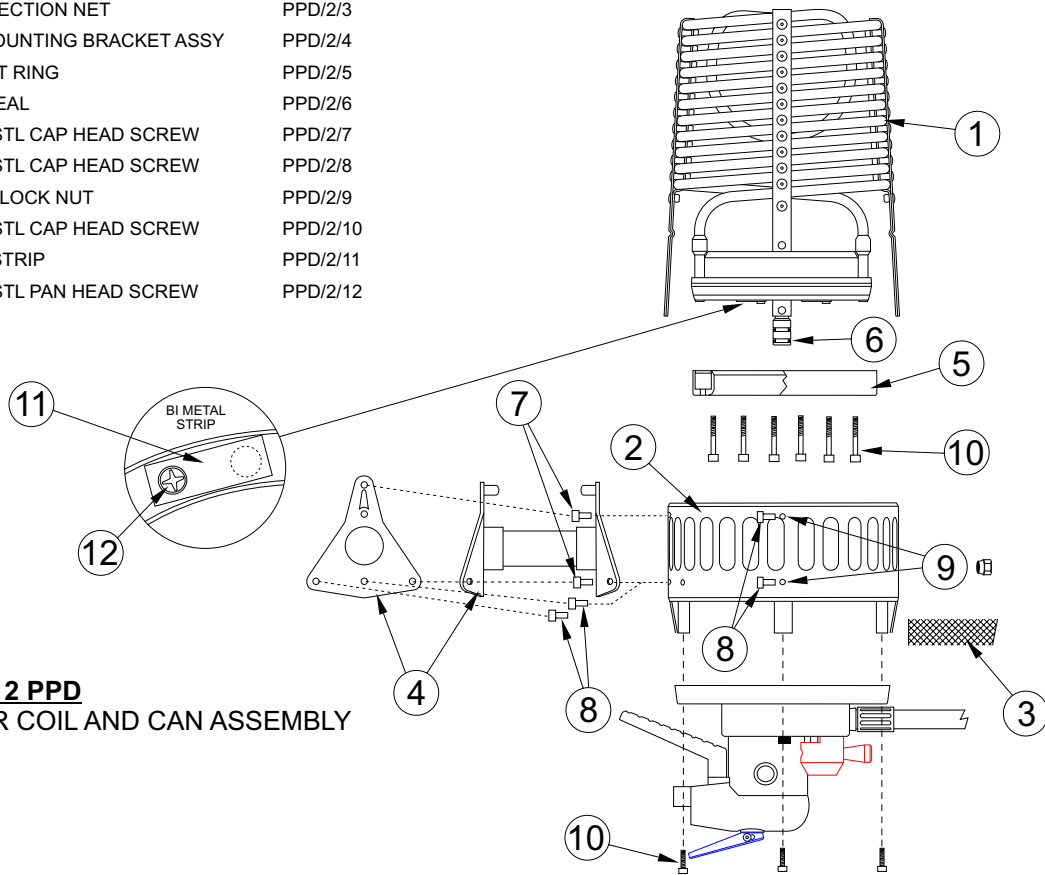


FIGURE 2 PPD
BURNER COIL AND CAN ASSEMBLY

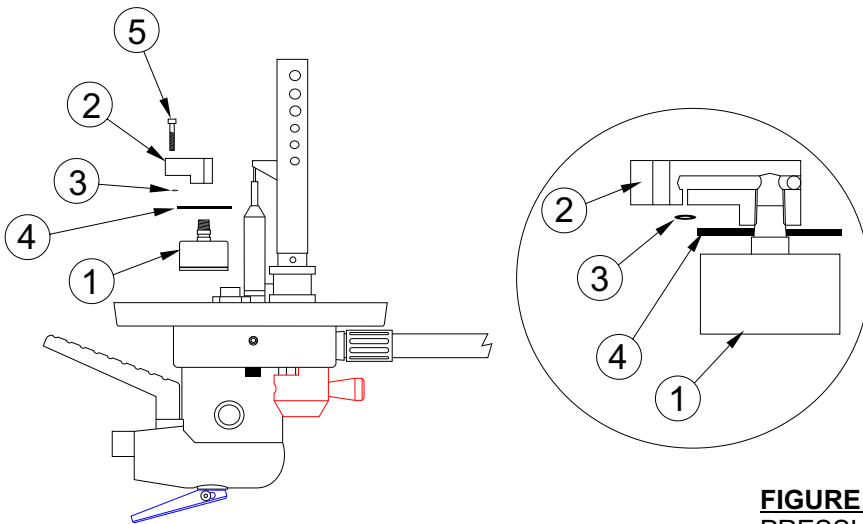
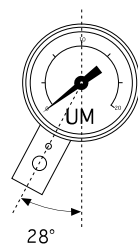
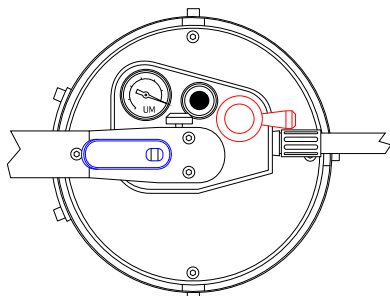
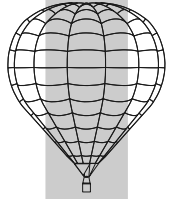


FIGURE 3 PPD
PRESSURE GAUGE ASSEMBLY



ITEM	DESCRIPTION	PART No
1	PRESSURE GAUGE	PPD/3/1
2	PRESSURE GAUGE CONNECTION	PPD/3/2
3	PRESSURE GAUGE "O" SEAL	PPD/3/3
4	PRESSURE GAUGE BODY SEAL	PPD/3/4
5	M5x25 ST STL CAP HEAD SCREW	PPD/3/5

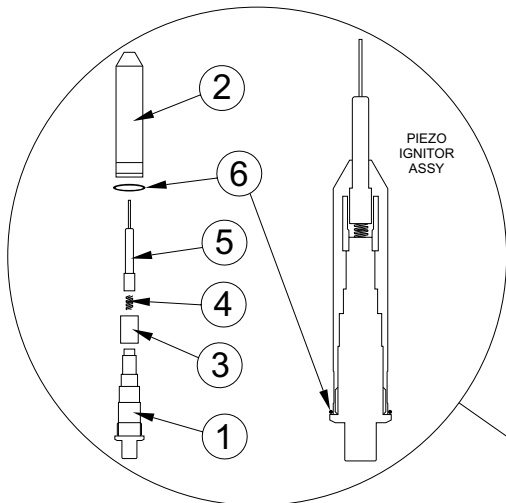
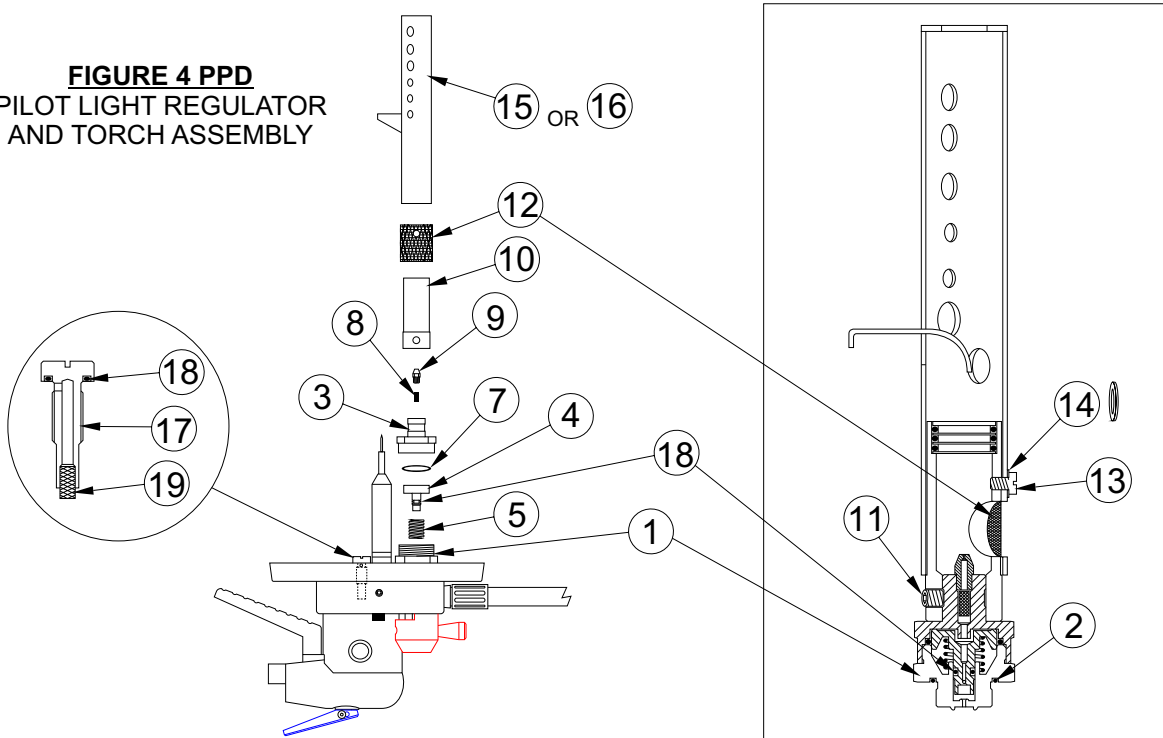


2B

POWER PLUS DOUBLE BURNER PARTS

ITEM	DESCRIPTION	PART No	ITEM	DESCRIPTION	PART No
1	PILOT LIGHT REGULATOR LOWER BODY	PPD/4/1	11	M6x6 ST STL GRUB SCREW	PPD/4/11
2	LOWER BODY "O" SEAL	PPD/4/2	12	PILOT FLAME TUBE GAUZE	PPD/4/12
3	PILOT LIGHT REGULATOR UPPER BODY	PPD/4/3	13	M4x5 ST STL FLAT DRIVE SCREW	PPD/4/13
4	PILOT LIGHT REGULADOR PISTON	PPD/4/4	14	M4 ST STL WASHER	PPD/4/14
5	PILOT LIGHT REGULATOR SPRING	PPD/4/5	15	RIGHT TORCH UPPER TUBE	PPD/4/15
6	REGULATOR STEM PISTON "O" SEAL	PPD/4/6	16	LEFT TORCH UPPER TUBE	PPD/4/16
7	REGULATOR PISTON LARGE "O" SEAL	PPD/4/7	17	PILOT LIGHT INLET FILTER HOUSING	PPD/4/17
8	PILOT FLAME JET FILTER	PPD/4/8	18	FILTER HOUSING "O" SEAL	PPD/4/18
9	PILOT FLAME JET	PPD/4/9	19	PILOT LIGHT FUEL FILTER	PPD/4/19
10	PILOT FLAME LOWER TUBE	PPD/4/10			

FIGURE 4 PPD
PILOT LIGHT REGULATOR
AND TORCH ASSEMBLY



ITEM	DESCRIPTION	PART No
1	PIEZO IGNITOR UNIT	PPD/5/1
2	PIEZO IGNITOR SUPPORT TUBE	PPD/5/2
3	PIEZO IGNITOR INSULATOR	PPD/5/3
4	PIEZO IGNITOR SPRING	PPD/5/4
5	PIEZO IGNITOR CERAMIC ELECTRODE	PPD/5/5
6	STOP WATER "O" SEAL	PPD/5/6
7	M6x8 ST STL GRUB SCREW	PPD/5/7

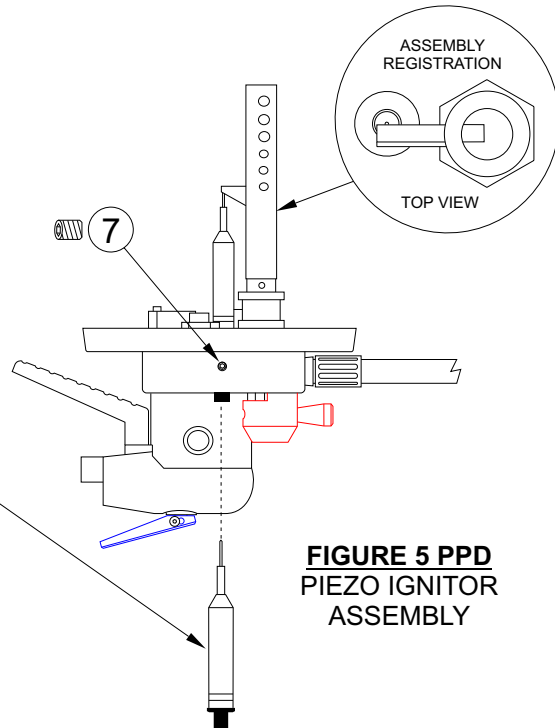


FIGURE 5 PPD
PIEZO IGNITOR
ASSEMBLY

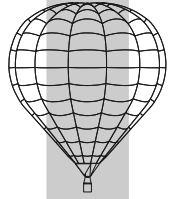
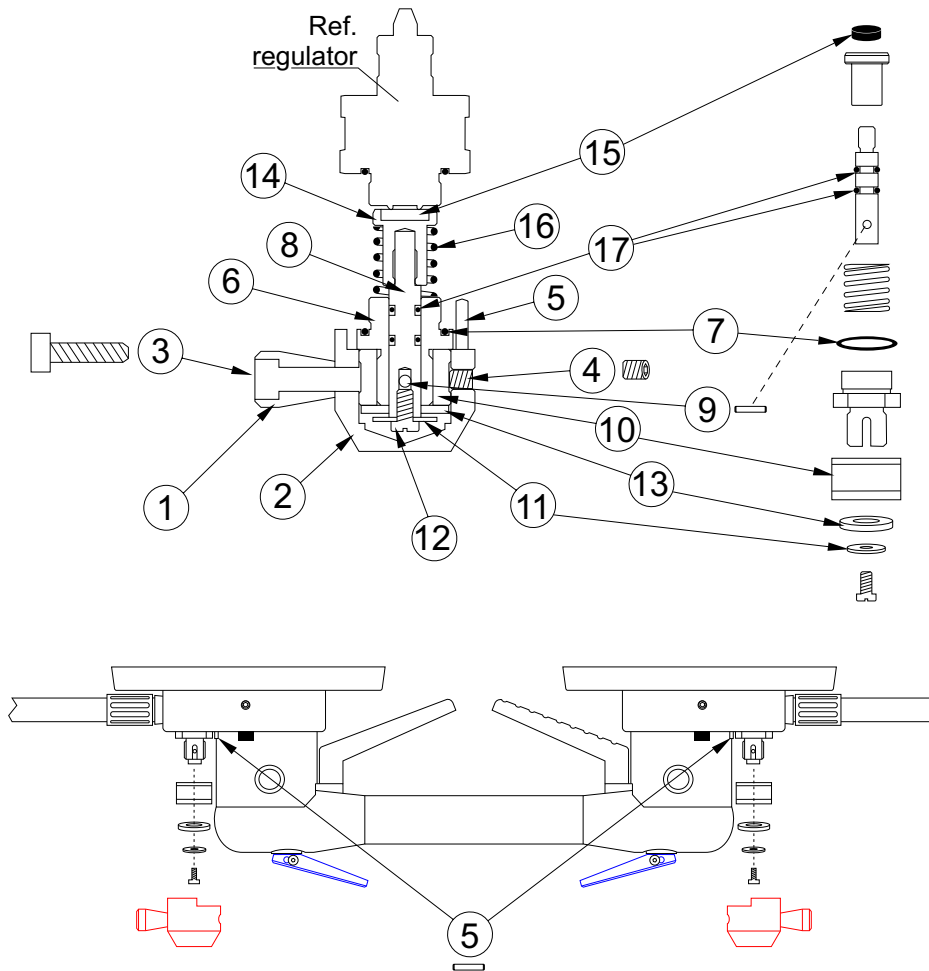
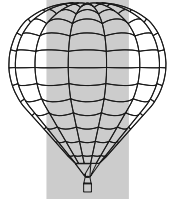


FIGURE 6 PPD
PILOT FLAME VALVE ASSEMBLY



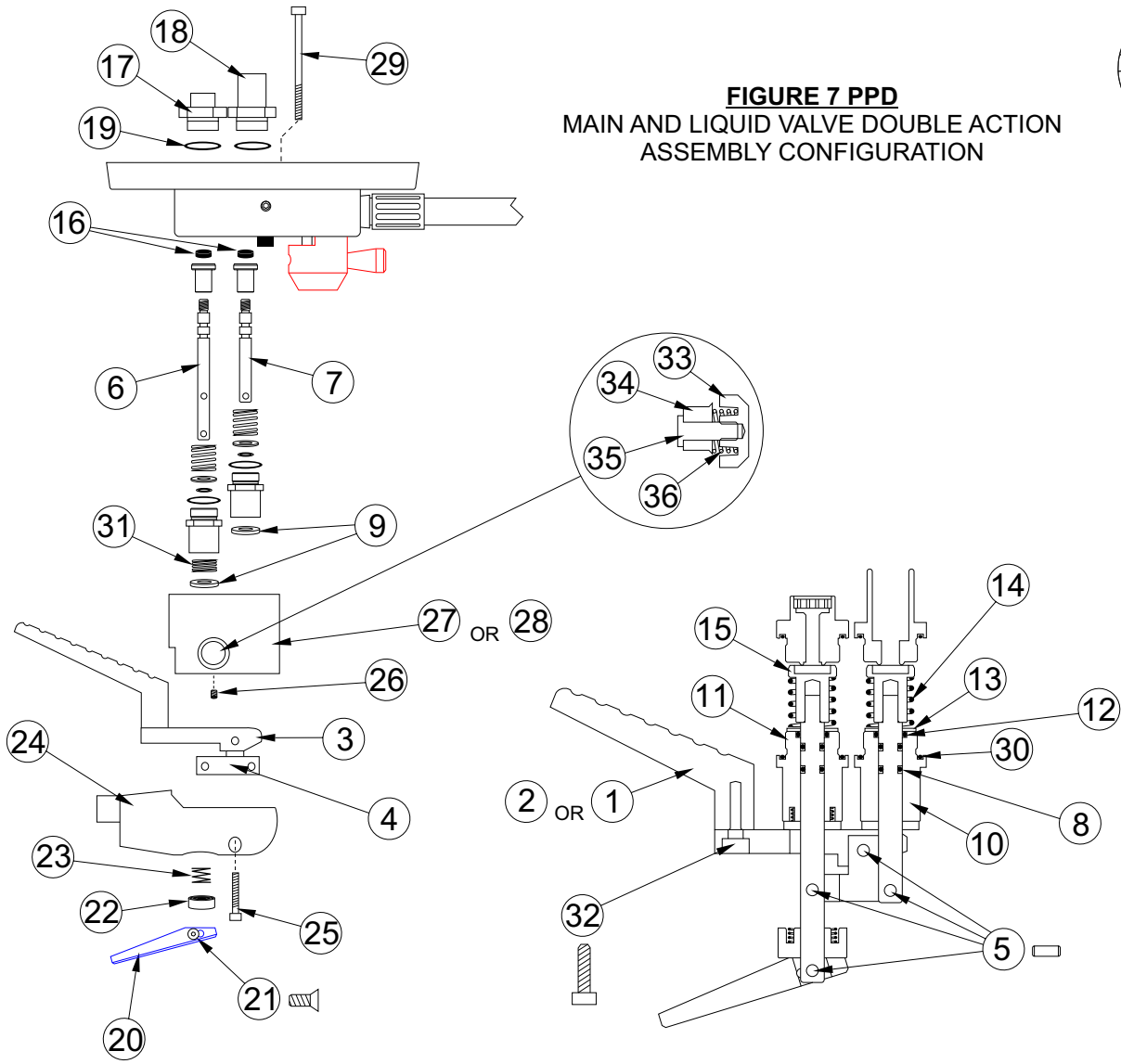
ITEM	DESCRIPTION	PART No	ITEM	DESCRIPTION	PART No
1	PILOT VALVE HANDLE	PPD/6/1	10	PILOT VALVE CAM	PPD/6/10
2	PILOT VALVE KNOB	PPD/6/2	11	STOP STEM WASHER	PPD/6/11
3	M6x20 ST STL CAP HEAD SCREW	PPD/6/3	12	M4x8 ST STL FLAT DRIVE SCREW	PPD/6/12
4	M6x6 ST STL GRUB SCREW	PPD/6/4	13	ANTI-FRICTION WASHER	PPD/6/13
5	ROTATION STOP PIN	PPD/6/5	14	PILOT VALVE SHUTTER	PPD/6/14
6	PILOT VALVE BONNET	PPD/6/6	15	SHUTTER SEAL PAD	PPD/6/15
7	PILOT VALVE BONNET "O" SEAL	PPD/6/7	16	PILOT VALVE SPRING	PPD/6/16
8	PILOT VALVE STEM	PPD/6/8	17	PILOT VALVE STEM "O" SEAL	PPD/6/17
9	ANTI-ROTATION PIN	PPD/6/9			



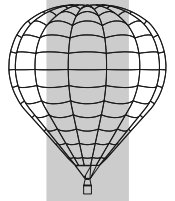
2B

POWERPLUS
DOUBLE
BURNER
PARTS

FIGURE 7 PPD
MAIN AND LIQUID VALVE DOUBLE ACTION
ASSEMBLY CONFIGURATION



ITEM	DESCRIPTION	PART No	ITEM	DESCRIPTION	PART No
1	BLAST VALVE RIGHT HANDLE	PPD/7/1	19	BLAST & LIQUID JET VALVE SLEEVE "O" SEAL	PPD/7/19
2	BLAST VALVE LEFT HANDLE	PPD/7/2	20	LIQUID VALVE HANDLE BLUE	PPD/7/20
3	BLAST VALVE HANDLE CAM	PPD/7/3	21	M3x5 ST STL HEX DRIVE SCREW	PPD/7/21
4	CONNECTION CAM / STEM	PPD/7/4	22	LIQUID HANDLE ANTI-FRICTION WASHER	PPD/7/22
5	DOUBLE ACTION HANDLE PIN	PPD/7/5	23	LIQUID HANDLE SPRING	PPD/7/23
6	LIQUID VALVE STEM	PPD/7/6	24	BAR END CAP	PPD/7/24
7	BLAST VALVE STEM	PPD/7/7	25	M5x30 ST STL CAP HEAD SCREW	PPD/7/25
8	VALVE STEM "O" SEAL	PPD/7/8	26	M6x6 ST STL GRUB SCREW	PPD/7/26
9	BLAST / LIQUID ANTI-FRICTION WASHER	PPD/7/9	27	EXTERNAL BODY RIGHT	PPD/7/27
10	BLAST VALVE CENTRE BODY	PPD/7/10	28	EXTERNAL BODY LEFT	PPD/7/28
11	LIQUID VALVE CENTRE BODY	PPD/7/11	29	M5x50 ST STL CAP HEAD SCREW	PPD/7/29
12	PTFE ENERGIZED "O" SEAL	PPD/7/12	30	BLAST & LIQUID VALVE BODY "O" SEAL	PPD/7/30
13	SPRING WASHER RETAINING PTFE SEAL	PPD/7/13	31	LIQUID VALVE BODY ANTI-FRICTION SPRING	PPD/7/31
14	BLAST & LIQUID VALVE SPRING	PPD/7/14	32	M5x20 ST STL CAP HEAD SCREW	PPD/7/32
15	BLAST & LIQUID VALVE SHUTTER	PPD/7/15	33	SAFETY BUTTON	PPD/7/33
16	BLAST & LIQUID VALVE SEAL PAD	PPD/7/16	34	SAFETY BUTTON STEM	PPD/7/34
17	LIQUID JET SLEEVE	PPD/7/17	35	SAFETY BUTTON SUPPORT	PPD/7/35
18	BLAST VALVE SLEEVE	PPD/7/18	36	SAFETY BUTTON SPRING	PPD/7/36



2B

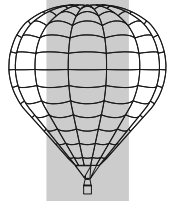
**P
O
W
E
R
P
L
U
S

D
O
U
B
L
E

B
U
R
N
E
R

P
A
R
T
S**

Cat. no.	Part Number	Description	Unit
Page 2B.10 Fig.1 Powerplus double burner configuration			
BU21/1/23	CR-22-2500	Ultramagic gimbal block assembly	1
PPD/1/2	CR-PPD-D031	Right valve block	1
PPD/1/3	CR-PPD-E031	Left valve block	1
PPD/1/4	CR-PPD-0073	Bar handle connection	1
PPD/1/5	MA-FE-0170	M5x20 st stl cap head screw	1
Page 2B.11 Fig.2 Burner coil and can assembly			
PPD/2/1	CR-PPD-0115	Burner coil	1
PPD/2/2	CR-PPD-0016	Burner can	1
PPD/2/3	CR-PPD-0134	Can protection net	1
PPD/2/4	CR-PPD-0135	Gimbal mounting bracket assy	1
PPD/2/5	CR-PPD-0124	Lower jet ring	1
PPD/2/6	CR-PP-0327	Coil "o" seal	1
PPD/2/7	CR-PP-0013	M5x16 st stl cap head screw	1
PPD/2/8	CR-PP-0011	M5x12 st stl cap head screw	1
PPD/2/9	CR-PP-0111	M5 st stl lock nut	1
PPD/2/10	MA-FE-0840	M5x25 st stl cap head screw	1
PPD/2/11	CR-PPD-0127	Bi-metal strip	1
PPD/2/12	CR-PP-0041	M4x12 st stl pan head screw	1
Page 2B.11 Fig.3 Pressure gauge assembly			
PPD/3/1	CR-PPD-0062	Pressure gauge	1
PPD/3/2	CR-PPD-0063	Pressure gauge connection	1
PPD/3/3	CR-PP-0322	Pressure gauge "o" seal	1
PPD/3/4	CR-PPD-0064	Pressure gauge body seal	1
PPD/3/5	MA-FE-0840	M5x25 st stl cap head screw	1
Page 2B.12 Fig.4 Pilot light regulator and torch assembly			
PPD/4/1	CR-PPD-0043	Pilot light regulator lower body	1
PPD/4/2	CR-PP-0326	Lower body "o" seal	1
PPD/4/3	CR-PPD-0039	Pilot light regulator upper body	1
PPD/4/4	CR-PPD-0040	Pilot light regulator piston	1
PPD/4/5	CR-PPD-0091	Pilot light regulator spring	1
PPD/4/6	CR-PP-0311	Regulator stem piston "o" seal	1
PPD/4/7	CR-PP-0312	Regulator piston large "o" seal	1
PPD/4/8	CR-PPD-0038	Pilot flame jet filter	1
PPD/4/9	CR-PPD-0037	Pilot flame jet	1
PPD/4/10	CR-PPD-0035	Pilot flame lower tube	1
PPD/4/11	CR-N-0040	M6x6 st stl grub screw	1
PPD/4/12	CR-PPD-0036	Pilot flame tube gauze	1
PPD/4/13	CR-PP-0031	M4x5 st stl flat drive screw	1
PPD/4/14	CR-PPD-0201	M4 st stl washer	1
PPD/4/15	CR-PPD-D032	Right torch upper tube	1
PPD/4/16	CR-PPD-E032	Left torch upper tube	1
PPD/4/17	CR-PPD-0065	Pilot light inlet filter housing	1
PPD/4/18	CR-PP-0321	Filter housing "o" seal	1
PPD/4/19	CR-PPD-0038	Pilot light fuel filter	1
Page 2B.12 Fig.5 Piezo ignitor assembly			
PPD/5/1	CR-PPD-0061	Piezo ignitor unit	1
PPD/5/2	CR-PPD-0057	Piezo ignitor support tube	1
PPD/5/3	CR-PPD-0060	Piezo ignitor insulator	1
PPD/5/4	CR-PPD-0059	Piezo ignitor spring	1



2B

**P
O
W
E
R
P
L
U
S

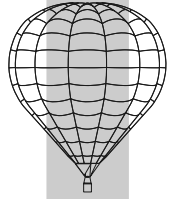
D
O
U
B
L
E

B
U
R
N
E
R

P
A
R
T
S**

Cat. no.	Part Number	Description	Unit
Page 2B.12	Fig.5	Piezo ignitor assembly	
PPD/5/5	CR-PPD-0058	Piezo ignitor ceramic electrode	1
PPD/5/6	CR-PP-0324	Stop water "o" seal	1
PPD/5/7	CR-PP-0022	M6x8 st stl grub screw	1
Page 2B.13	Fig.6	Pilot flame valve assembly	
PPD/6/1	CR-PPD-V055	Pilot valve handle	1
PPD/6/2	CR-PPD-V054	Pilot valve knob	1
PPD/6/3	CR-C-0250	M6x20 st stl cap head screw	1
PPD/6/4	CR-N-0040	M6x6 st stl grub screw	1
PPD/6/5	CR-PPD-0082	Rotation stop pin	1
PPD/6/6	CR-PPD-0049	Pilot valve bonnet	1
PPD/6/7	CR-PP-0326	Pilot valve bonnet "o" seal	1
PPD/6/8	CR-PPD-0046	Pilot valve stem	1
PPD/6/9	CR-PPD-0082	Anti-rotation pin	1
PPD/6/10	CR-PPD-0050	Pilot valve cam	1
PPD/6/11	CR-PPD-0087	Stop stem washer	1
PPD/6/12	CR-PP-0032	M4x8 st stl flat drive screw	1
PPD/6/13	CR-PPD-0084	Anti-friction washer	1
PPD/6/14	CR-PPD-0045	Pilot valve shutter	1
PPD/6/15	CR-PPD-0044	Shutter seal pad	1
PPD/6/16	CR-PPD-0090	Pilot valve spring	1
PPD/6/17	CR-PP-0323	Pilot valve stem "o" seal	1
Page 2B.11	Fig.7	Main and liquid valve double action assembly	
PPD/7/1	CR-PPD-D070	Blast valve right handle	1
PPD/7/2	CR-PPD-E070	Blast valve left handle	1
PPD/7/3	CR-PPD-0076	Blast valve handle cam	1
PPD/7/4	CR-PPD-0077	Connection cam / stem	1
PPD/7/5	CR-PPD-0081	Double action handle pin	1
PPD/7/6	CR-PPD-L078	Liquid valve stem	1
PPD/7/7	CR-PPD-P078	Blast valve stem	1
PPD/7/8	CR-PP-0323	Valve stem "o" seal	1
PPD/7/9	CR-PPD-0080	Blast / liquid anti-friction washer	1
PPD/7/10	CR-PPD-P079	Blast valve centre body	1
PPD/7/11	CR-PPD-L079	Liquid valve centre body	1
PPD/7/12	CR-PP-0301	Ptfe energized "o" seal	1
PPD/7/13	CR-PPD-0088	Spring retaining washer ptfe seal	1
PPD/7/14	CR-PPD-0090	Blast & liquid valve spring	1
PPD/7/15	CR-PPD-0045	Blast & liquid valve shutter	1
PPD/7/16	CR-PPD-0044	Blast & liquid valve seal pad	1
PPD/7/17	CR-PPD-0075	Liquid jet sleeve	1
PPD/7/18	CR-PPD-0074	Blast valve sleeve	1
PPD/7/19	CR-PP-0326	Blast & liquid jet valve sleeve "o" seal	1
PPD/7/20	CR-PPD-B069	Liquid valve handle blue	1
PPD/7/21	CR-PP-0001	M3x5 st stl hex drive screw	1
PPD/7/22	CR-PPD-0083	Liquid handle anti-friction washer	1
PPD/7/23	CR-PPD-0094	Liquid handle spring	1
PPD/7/24	CR-PPD-0072	Bar end cap	1
PPD/7/25	CR-PP-0016	M5x30 st stl cap head screw	1
PPD/7/26	CR-N-0040	M6x6 st stl grub screw	1
PPD/7/27	CR-PPD-D071	External body right	1
PPD/7/28	CR-PPD-E071	External body left	1

Cat. no.	Part Number	Description	Unit
Page 2B.11	Fig.7	Main and liquid valve double action assembly	
PPD/7/29	CR-PP-0017	M5x50 st stl cap head screw	1
PPD/7/30	CR-PP-0326	Blast & liquid valve body "o" seal	1
PPD/7/31	CR-PPD-0094	Liquid valve body anti-friction spring	1
PPD/7/32	MA-FE-0170	M5x20 st stl cap head screw	1
PPD/7/33	CR-PPD-0066	Safety button	1
PPD/7/34	CR-PPD-0067	Safety button stem	1
PPD/7/35	CR-PPD-0068	Safety button support	1
PPD/7/36	CR-PPD-0093	Safety button spring	1



2B

**P
O
W
E
R
P
L
U
S

D
O
U
B
L
E

B
U
R
N
E
R

P
A
R
T
S**

ITEM	DESCRIPTION	PART No	ITEM	DESCRIPTION	PART No
10R	RIGHT PILOT REGULATOR VALVE - BLUE	BU21S/1/10R	23	M6 STAINLESS STEEL WASHER	BU21S/1/23
9L	LEFT LIQUID VALVE ASSEMBLY - RED	BU21S/1/9L	21	M6 x10 ST STL CAP HEAD SCREW	BU21S/1/21
9R	RIGHT LIQUID VALVE ASSEMBLY - BLUE	BU21S/1/9R	20	COIL POST NUT - STD	BU21S/1/20
8L	LEFT MAIN VALVE ASSEMBLY	BU21S/1/8L	19	3/8" BSP BONDED WASHER	BU21S/1/19
8R	RIGHT MAIN VALVE ASSEMBLY	BU21S/1/8R	18	HANDLE POST	BU21S/1/18
7L	LEFT BURNER HANDLE - RED	BU21S/1/7L	17	SINGLE BURNER VALVE BLOCK	BU21S/1/17
7R	RIGHT BURNER HANDLE - BLUE	BU21S/1/7R	16	FUEL INLET POST - STD	BU21S/1/16
6	FUEL CONNECTOR (REGO or TEMA)	SEE HOSES	15	SLURPER TUBE ASSEMBLY - STD	BU21S/1/15
5	FUEL HOSE ASSEMBLY (for REGO or TEMA)	SEE HOSES	14	PILOT LIGHT ASSEMBLY - STD	BU21S/1/14
4	SINGLE BURNER COIL POST	BU21S/1/4	13	LIQUID FIRE JET ASSEMBLY - STD	BU21S/1/13
3	SWIVEL BOSS - STAINLESS STEEL	BU21S/1/3	12	PRESSURE GAUGE ASSEMBLY - STD	BU21S/1/12
2	SINGLE BURNER VAPOURISATION COIL	BU21S/1/2	11	IGNITER ASSEMBLY - STD	BU21S/1/11
1	SINGLE BURNER CAN	BU21S/1/1	10L	LEFT PILOT REGULATOR VALVE - RED	BU21S/1/10L

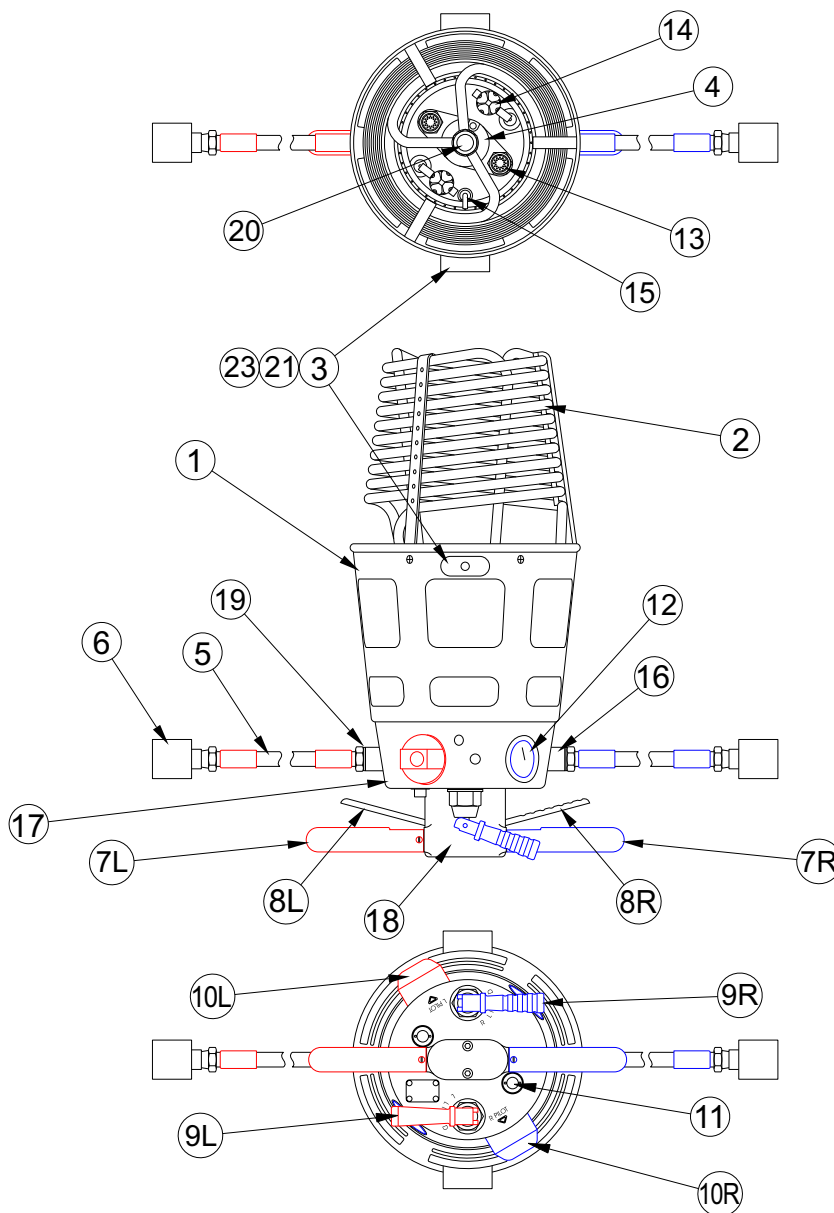
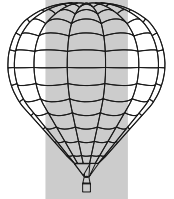


FIGURE 1
MK-21 SINGLE BURNER ARRANGEMENT



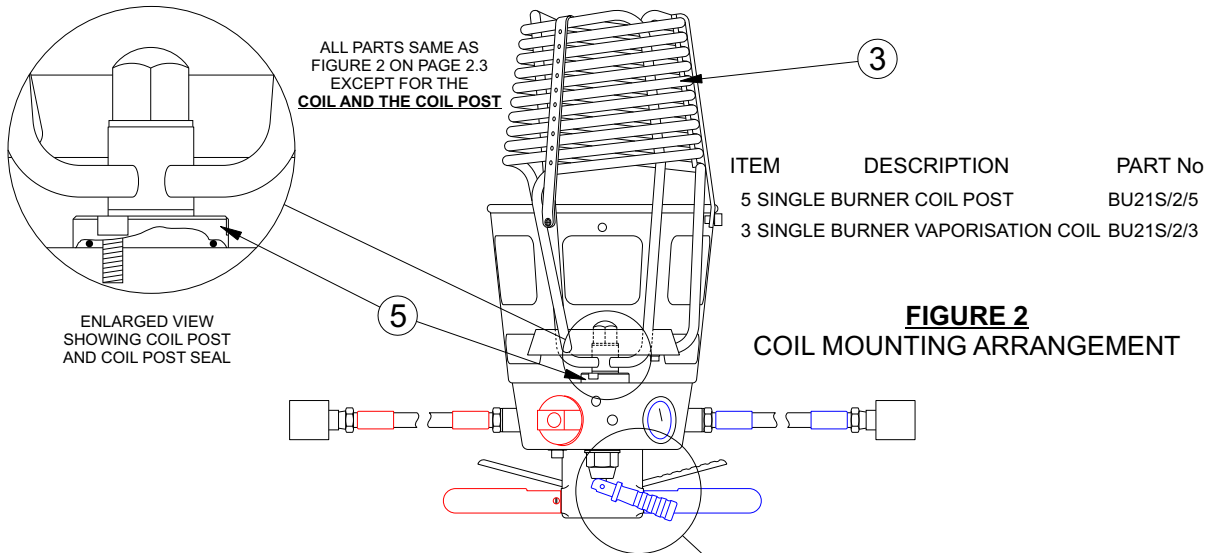
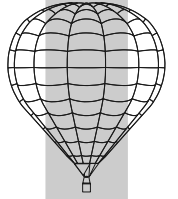


FIGURE 2
COIL MOUNTING ARRANGEMENT

ITEM	DESCRIPTION	PART No
11	RIGHT LIQUID VALVE HANDLE - BLUE	BU21S/7/11
10	RIGHT LIQUID VALVE HANDLE STD (DEAD MAN'S) - BLUE	BU21S/7/10
6	LEFT LIQUID VALVE HANDLE - RED	BU21S/7/6
5	LEFT LIQUID VALVE HANDLE STD (DEAD MAN'S) - RED	BU21S/7/5

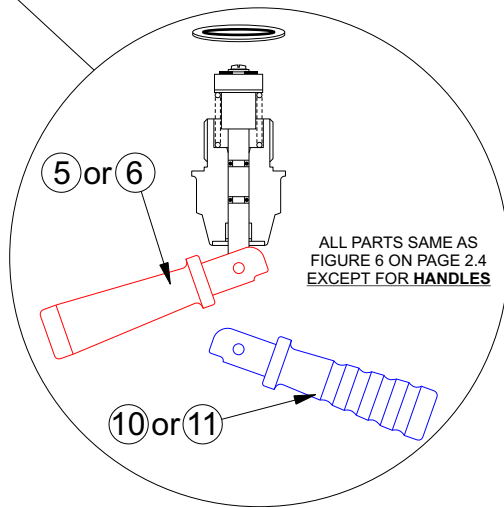


FIGURE 7
LIQUID VALVE ASSEMBLY CONFIGURATION

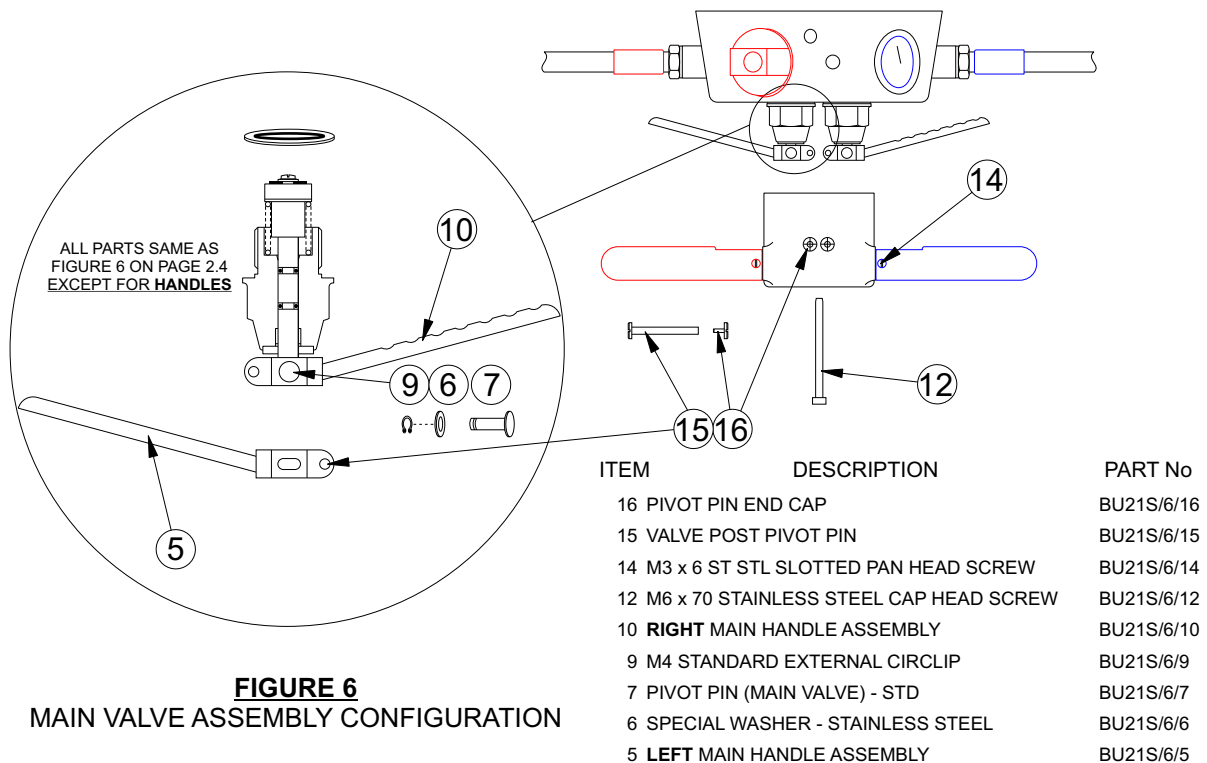
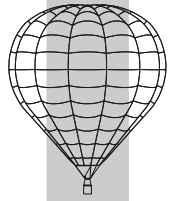
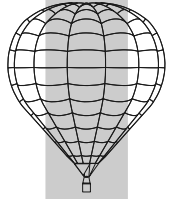


FIGURE 6
MAIN VALVE ASSEMBLY CONFIGURATION



**3
MK21
S
I
N
G
L
E
B
U
R
N
E
R
P
A
R
T
S**

Cat. no.	Part Number	Description	Unit
Page 3.1	Fig.1	MK-21 Single burner arrangement	
BU21S/1/1	CR-21-0011	Single burner can	1
BU21S/1/2	CR-21-0500	Single burner vapourisation coil	1
BU21S/1/3	CR-21-0010	Swivel boss - stainless steel	1
BU21S/1/4	CR-21-0318	Single burner coil post	1
BU21S/1/7R	CR-21-0313	Right burner handle - color blue	1
BU21S/1/7L	CR-21-0313	Left burner handle - color red	1
BU21S/1/8R	CR-21-1400	Right main valve assembly	1
BU21S/1/8L	CR-21-1200	Left main valve assembly	1
BU21S/1/9R	CR-21-1600	Right liquid valve assembly - color blue	1
BU21S/1/9L	CR-21-1600	Left liquid valve assembly - color red	1
BU21S/1/10R	CR-22-0800	Right pilot regulator valve assembly - color blue	1
BU21S/1/10L	CR-22-0800	Left pilot regulator valve assembly - color red	1
BU21S/1/11	CR-22-0900	Igniter assembly - standard	1
BU21S/1/12	CR-22-1300	Pressure gauge assembly - standard	1
BU21S/1/13	CR-22-1000	Liquid fire jet assembly - standard	1
BU21S/1/14	CR-22-0700	Pilot light assembly - standard	1
BU21S/1/15	CR-22-1500	Slurper tube assembly - standard	1
BU21S/1/16	CR-22-0313	Fuel inlet post - standard	1
BU21S/1/17	CR-21-0311	Single burner valve block	1
BU21S/1/18	CR-21-0312	Handle post	1
BU21S/1/19	MA-FE-0600	3/8" BSP bonded washer	1
BU21S/1/20	CR-22-0319	Coil post nut - standard	1
BU21S/1/21	MA-FE-0509	M6 x 10 stainless steel cap head screw	1
BU21S/1/23	MA-FE-0090	M6 stainless steel plain washer	1
Page 3.2	Fig. 2	Coil mounting arrangement	
BU21S/2/3	CR-21-0500	Single burner vaporisation coil	1
BU21S/2/5	CR-21-0318	Single burner coil post	1
Page 3.2	Fig. 6	Main valve assembly configuration	
BU21S/6/5	CR-21-1201	Left main handle assembly	1
BU21S/6/6	CR-21-1214	Special washer - stainless steel	1
BU21S/6/7	CR-22-1211	Pivot pin (main valve) - standard	1
BU21S/6/9	MA-FE-0530	M4 standard external circlip	1
BU21S/6/10	CR-21-1401	Right main handle assembly	1
BU21S/6/12	MA-FE-0500	M6 x 70 stainless steel cap head screw	1
BU21S/6/14	MA-FE-0533	M3 x 6 stainless steel slotted pan head screw	1
BU21S/6/15	CR-21-0317	Valve post pivot pin	1
BU21S/6/16	CR-21-0319	Pivot pin end cap	1
Page 3.2	Fig. 7	Liquid valve assembly configuration	
BU21S/7/5	CR-22-1119	Left liquid valve handle STD (dead man's) - color red	1
BU21S/7/6	CR-22-1116	Left liquid valve handle - color red	1
BU21S/7/10	CR-21-1619	Right liquid valve handle STD (dead man's) - blue	1
BU21S/7/11	CR-21-1616	Right liquid valve handle - color blue	1



3B

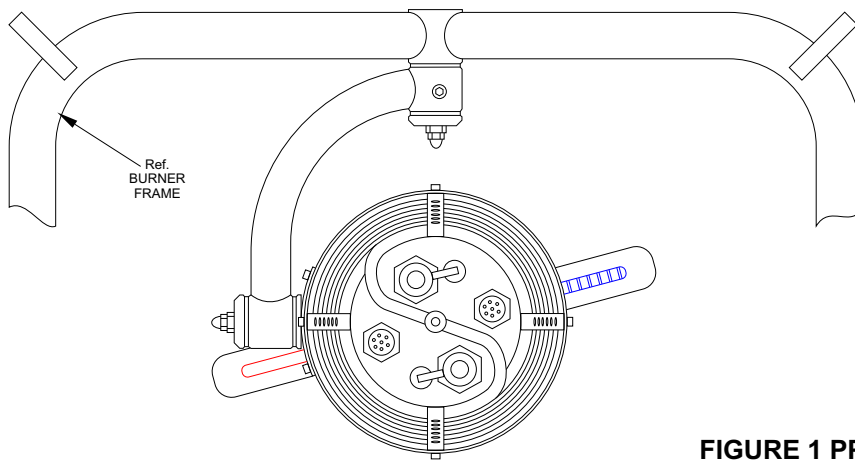
**P
O
W
E
R
P
L
U
S

S
I
N
G
L
E

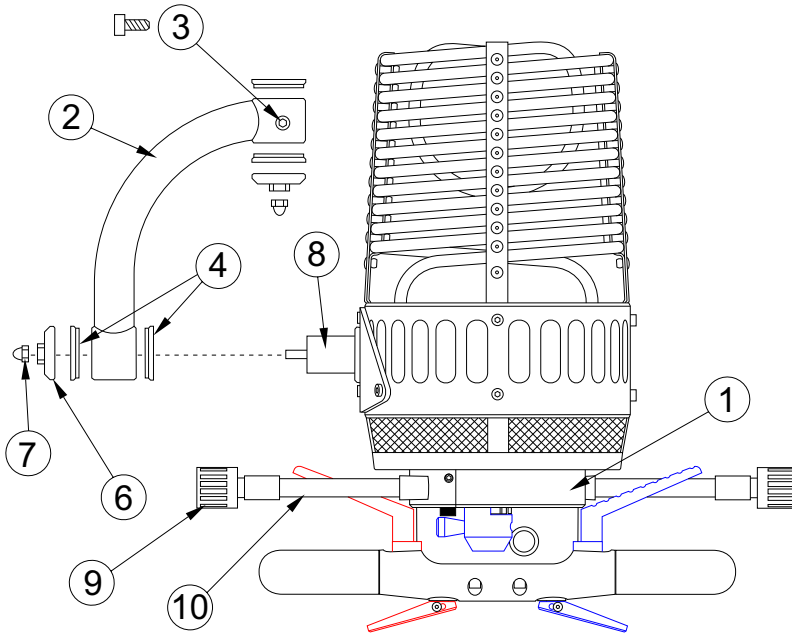
B
U
R
N
E
R

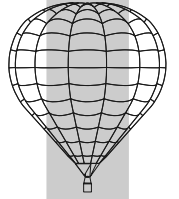
P
A
R
T
S**

ITEM	DESCRIPTION	PART No
1	SINGLE VALVE BLOCK	PPS/1/1
2	ST STL RADIUS ARM	PPS/1/2
3	M6 ST STL SPECIAL CAP HEAD SCREW	PPS/1/3
4	RADIUS ARM END ANTI-FRICTION WASHER	PPS/1/4
6	RADIUS ARM M6 THREAD SPACER	PPS/1/6
7	M8 ST STL CAP NUT	PPS/1/7
8	GIMBAL MOUNTING BRACKET ASSY	PPS/1/8
9	FUEL CONNECTOR (Rego or Tema)	SEE HOSES
10	FUEL HOSE ASSY (For Rego or Tema)	SEE HOSES

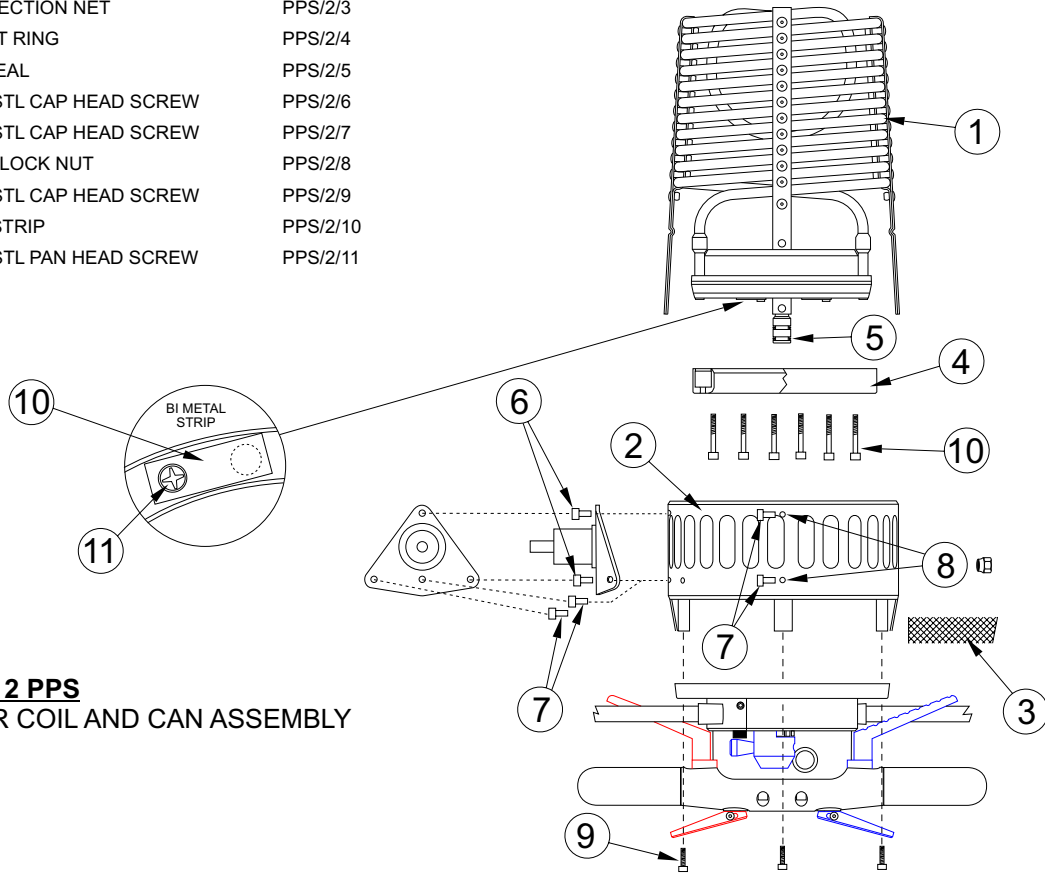


**FIGURE 1 PPS
POWERPLUS SINGLE
BURNER CONFIGURATION**

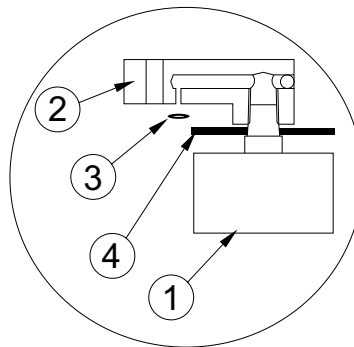
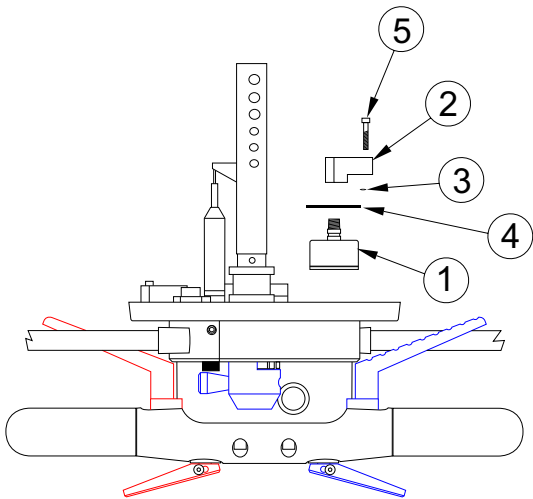




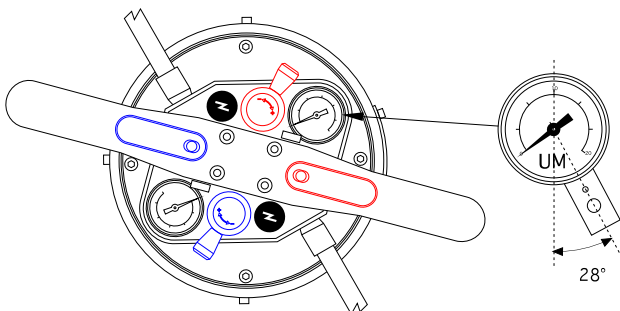
ITEM	DESCRIPTION	PART No
1	BURNER COIL	PPS/2/1
2	BURNER CAN	PPS/2/2
3	CAN PROTECTION NET	PPS/2/3
4	LOWER JET RING	PPS/2/4
5	COIL "O" SEAL	PPS/2/5
6	M5x16 ST STL CAP HEAD SCREW	PPS/2/6
7	M5x12 ST STL CAP HEAD SCREW	PPS/2/7
8	M5 ST STL LOCK NUT	PPS/2/8
9	M5x25 ST STL CAP HEAD SCREW	PPS/2/9
10	BI-METAL STRIP	PPS/2/10
11	M4x12 ST STL PAN HEAD SCREW	PPS/2/11



**FIGURE 2 PPS
BURNER COIL AND CAN ASSEMBLY**

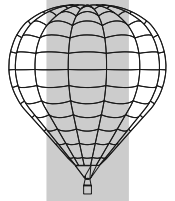


**FIGURE 3 PPS
PRESSURE GAUGE ASSEMBLY**



ITEM	DESCRIPTION	PART No
1	PRESSURE GAUGE	PPS/3/1
2	PRESSURE GAUGE CONNECTION	PPS/3/2
3	PRESSURE GAUGE "O" SEAL	PPS/3/3
4	PRESSURE GAUGE BODY SEAL	PPS/3/4
5	M5x25 ST STL CAP HEAD SCREW	PPS/3/5

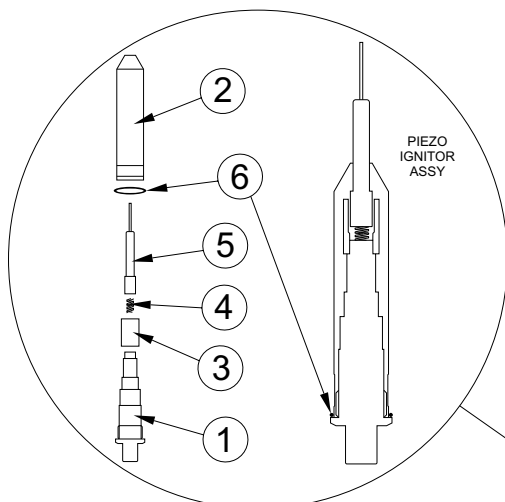
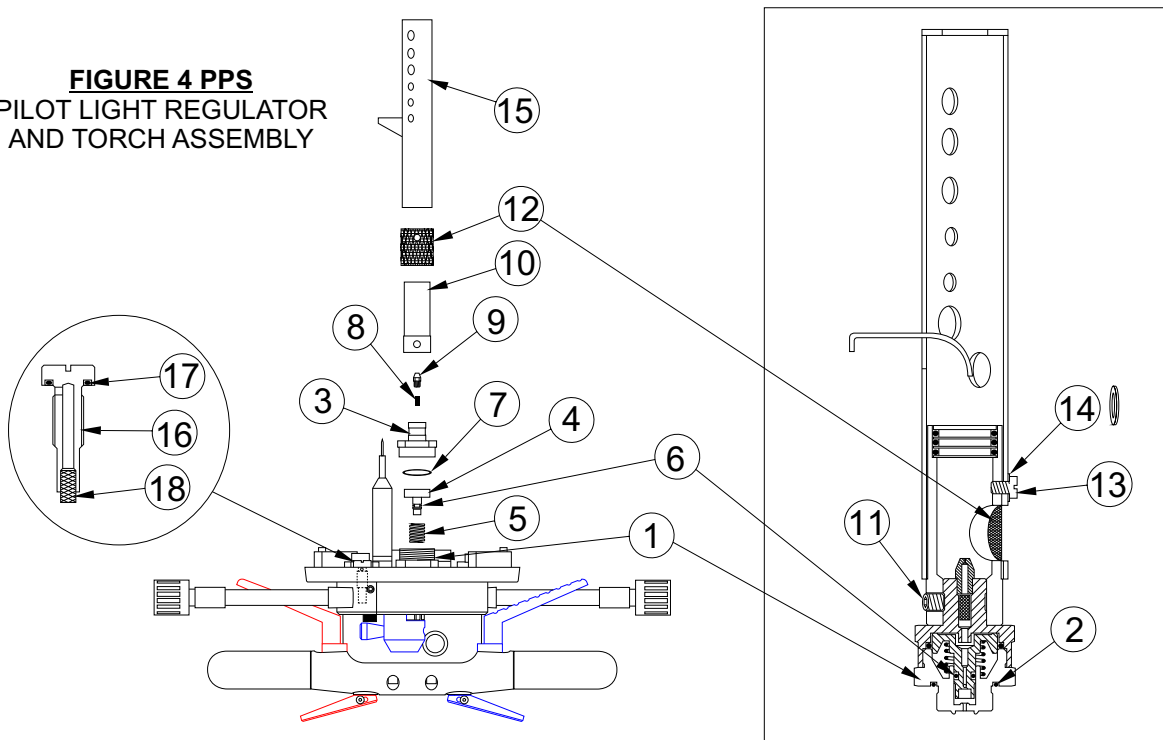
ITEM	DESCRIPTION	PART No	ITEM	DESCRIPTION	PART No
1	PILOT LIGHT REGULATOR LOWER BODY	PPS/4/1	10	PILOT FLAME LOWER TUBEM6x6 ST STL	PPS/4/10
2	LOWER BODY "O" SEAL	PPS/4/2	11	GRUB SCREW	PPS/4/11
3	PILOT LIGHT REGULATOR UPPER BODY	PPS/4/3	12	PILOT FLAME TUBE GAUZE	PPS/4/12
4	PILOT LIGHT REGULADOR PISTON	PPS/4/4	13	M4x5 ST STL FLAT DRIVE SCREW	PPS/4/13
5	PILOT LIGHT REGULATOR SPRING	PPS/4/5	14	M4 ST STL WASHER	PPS/4/14
6	REGULATOR STEM PISTON "O" SEAL	PPS/4/6	15	TORCH UPPER TUBE	PPS/4/15
7	REGULATOR PISTON LARGE "O" SEAL	PPS/4/7	16	PILOT LIGHT INLET FILTER HOUSING	PPS/4/16
8	PILOT FLAME JET FILTER	PPS/4/8	17	FILTER HOUSING "O" SEAL	PPS/4/17
9	PILOT FLAME JET	PPS/4/9	18	PILOT LIGHT FUEL FILTER	PPS/4/18



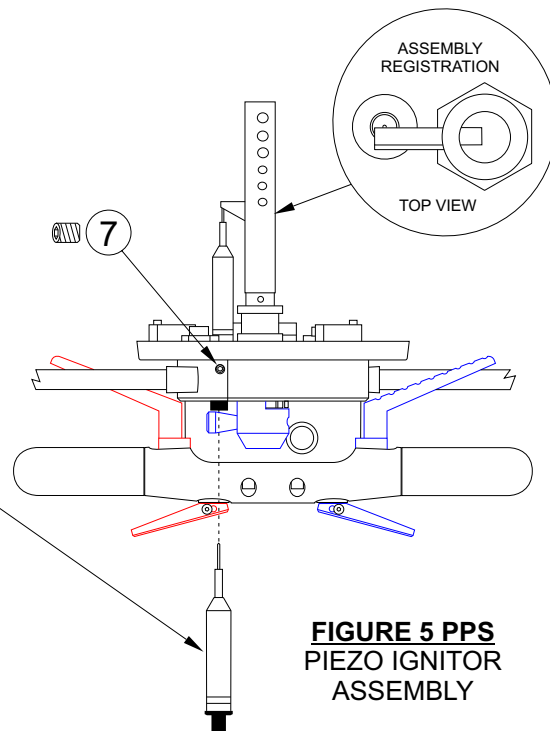
3B

POWER PLUS SINGLE BURNER PARTS

**FIGURE 4 PPS
PILOT LIGHT REGULATOR
AND TORCH ASSEMBLY**



ITEM	DESCRIPTION	PART No
1	PIEZO IGNITOR UNIT	PPS/5/1
2	PIEZO IGNITOR SUPPORT TUBE	PPS/5/2
3	PIEZO IGNITOR INSULATOR	PPS/5/3
4	PIEZO IGNITOR SPRING	PPS/5/4
5	PIEZO IGNITOR CERAMIC ELECTRODE	PPS/5/5
6	STOP WATER "O" SEAL	PPS/5/6
7	M6x8 ST STL GRUB SCREW	PPS/5/7



**FIGURE 5 PPS
PIEZO IGNITOR
ASSEMBLY**

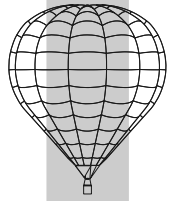
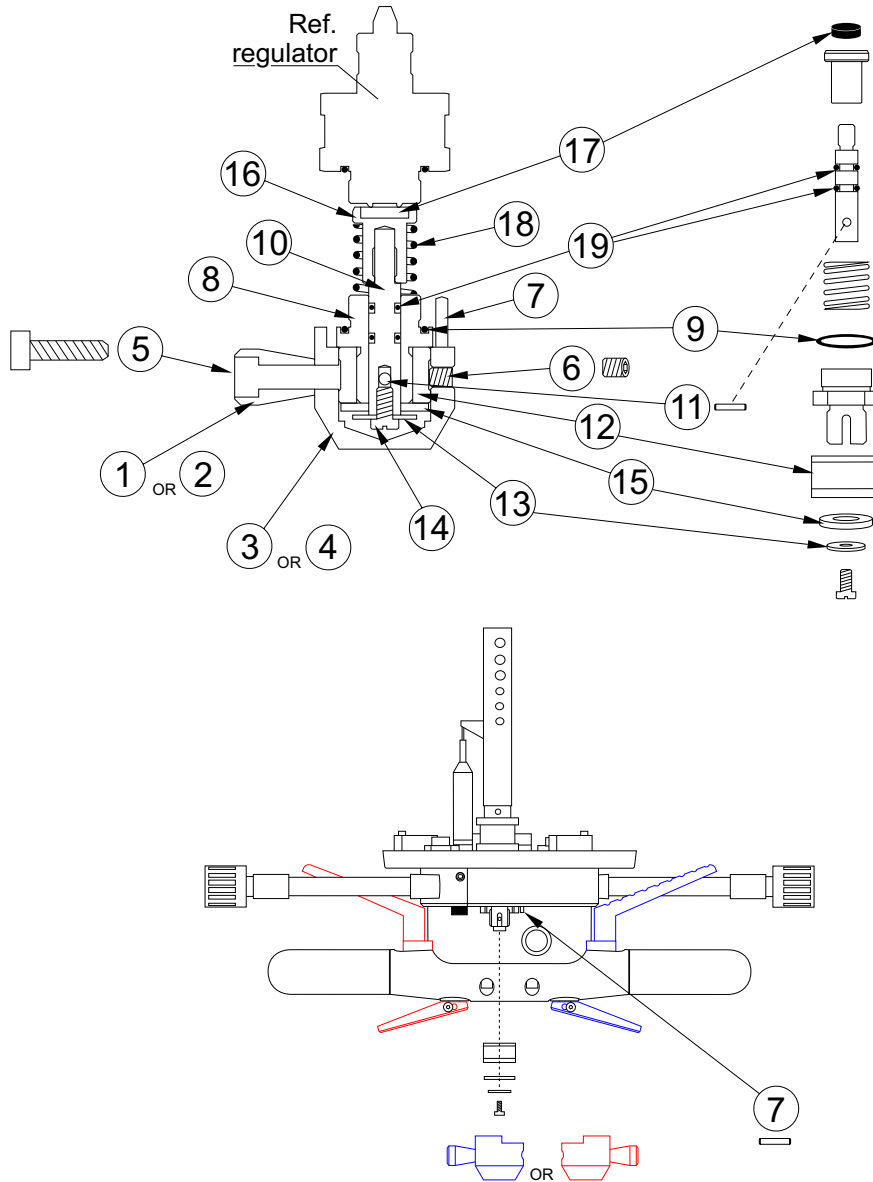
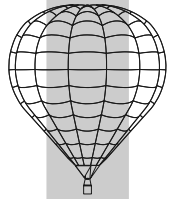


FIGURE 6 PPS
PILOT FLAME VALVE ASSEMBLY



3B POWERPLUS SINGLE BURNER PARTS

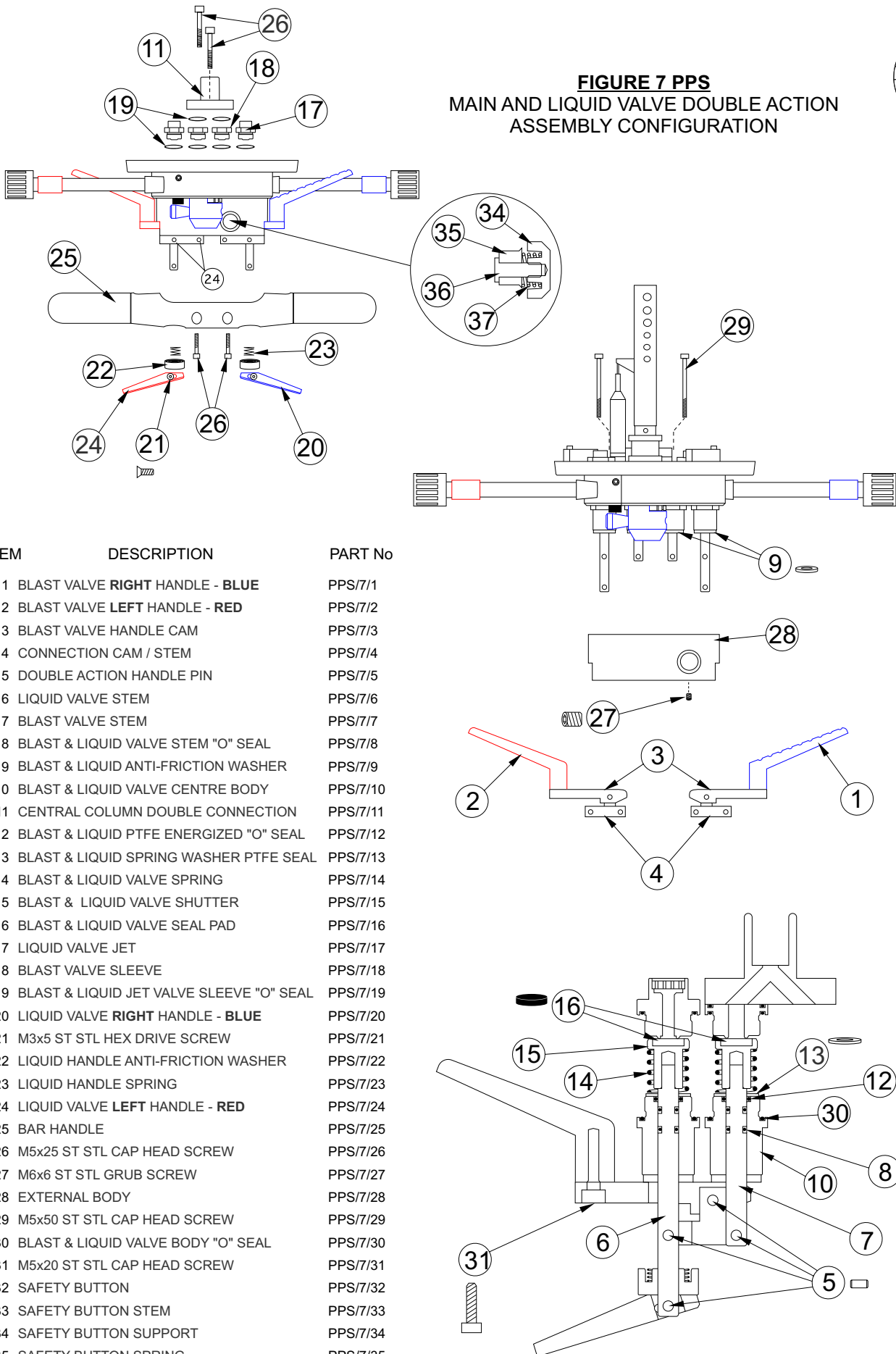
ITEM	DESCRIPTION	PART No	ITEM	DESCRIPTION	PART No
1	RIGHT PILOT VALVE HANDLE - BLUE	PPS/6/1	11	ANTI-ROTATION PIN	PPS/6/11
2	LEFT PILOT VALVE HANDLE - RED	PPS/6/2	12	PILOT VALVE CAM	PPS/6/12
3	RIGHT PILOT VALVE KNOB - BLUE	PPS/6/3	13	STOP STEM WASHER	PPS/6/13
4	LEFT PILOT VALVE KNOB - RED	PPS/6/4	14	M4x8 ST STL FLAT DRIVE SCREW	PPS/6/14
5	M6x20 ST STL CAP HEAD SCREW	PPS/6/5	15	ANTI-FRICTION WASHER	PPS/6/15
6	M6x6 ST STL GRUB SCREW	PPS/6/6	16	PILOT VALVE SHUTTER	PPS/6/16
7	ROTATION STOP PIN	PPS/6/7	17	SHUTTER SEAL PAD	PPS/6/17
8	PILOT VALVE BONNET	PPS/6/8	19	PILOT VALVE SPRING	PPS/6/18
9	PILOT VALVE BONNET "O" SEAL	PPS/6/9	19	PILOT VALVE STEM "O" SEAL	PPS/6/19
10	PILOT VALVE STEM	PPS/6/10			



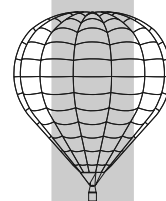
3B

POWERPLUS SINGLE BURNER PARTS

FIGURE 7 PPS
MAIN AND LIQUID VALVE DOUBLE ACTION
ASSEMBLY CONFIGURATION



ITEM	DESCRIPTION	PART No
1	BLAST VALVE RIGHT HANDLE - BLUE	PPS/7/1
2	BLAST VALVE LEFT HANDLE - RED	PPS/7/2
3	BLAST VALVE HANDLE CAM	PPS/7/3
4	CONNECTION CAM / STEM	PPS/7/4
5	DOUBLE ACTION HANDLE PIN	PPS/7/5
6	LIQUID VALVE STEM	PPS/7/6
7	BLAST VALVE STEM	PPS/7/7
8	BLAST & LIQUID VALVE STEM "O" SEAL	PPS/7/8
9	BLAST & LIQUID ANTI-FRICTION WASHER	PPS/7/9
10	BLAST & LIQUID VALVE CENTRE BODY	PPS/7/10
11	CENTRAL COLUMN DOUBLE CONNECTION	PPS/7/11
12	BLAST & LIQUID PTFE ENERGIZED "O" SEAL	PPS/7/12
13	BLAST & LIQUID SPRING WASHER PTFE SEAL	PPS/7/13
14	BLAST & LIQUID VALVE SPRING	PPS/7/14
15	BLAST & LIQUID VALVE SHUTTER	PPS/7/15
16	BLAST & LIQUID VALVE SEAL PAD	PPS/7/16
17	LIQUID VALVE JET	PPS/7/17
18	BLAST VALVE SLEEVE	PPS/7/18
19	BLAST & LIQUID JET VALVE SLEEVE "O" SEAL	PPS/7/19
20	LIQUID VALVE RIGHT HANDLE - BLUE	PPS/7/20
21	M3x5 ST STL HEX DRIVE SCREW	PPS/7/21
22	LIQUID HANDLE ANTI-FRICTION WASHER	PPS/7/22
23	LIQUID HANDLE SPRING	PPS/7/23
24	LIQUID VALVE LEFT HANDLE - RED	PPS/7/24
25	BAR HANDLE	PPS/7/25
26	M5x25 ST STL CAP HEAD SCREW	PPS/7/26
27	M6x6 ST STL GRUB SCREW	PPS/7/27
28	EXTERNAL BODY	PPS/7/28
29	M5x50 ST STL CAP HEAD SCREW	PPS/7/29
30	BLAST & LIQUID VALVE BODY "O" SEAL	PPS/7/30
31	M5x20 ST STL CAP HEAD SCREW	PPS/7/31
32	SAFETY BUTTON	PPS/7/32
33	SAFETY BUTTON STEM	PPS/7/33
34	SAFETY BUTTON SUPPORT	PPS/7/34
35	SAFETY BUTTON SPRING	PPS/7/35



3B

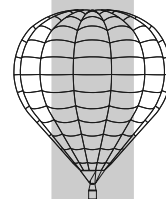
**P
O
W
E
R
P
L
U
S

S
I
N
G
L
E

B
U
R
N
E
R

P
A
R
T
S**

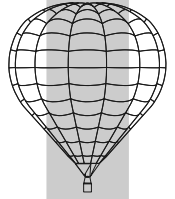
Cat. no.	Part Number	Description	Unit
Page 3B.1 Fig.1 Powerplus single burner configuration			
PPS/1/1	CR-PPS-0031	Single valve block	1
PPS/1/2	CR-PPS-0143	Stainless steel radius arm	1
PPS/1/3	CR-PP-0018	M6 stainless steel special cap head screw	1
PPS/1/4	CR-PPS-0149	Radius arm end anti-friction washer	1
PPS/1/6	CR-PPS-0147	Radius arm M6 thread spacer	1
PPS/1/7	VE-C-0260	M8 stainless steel nylock nut	1
PPS/1/8	CR-PPS-0139	Gimbal mounting bracket assembly	1
Page 3B.2 Fig.2 Burner coil and can assembly			
PPS/2/1	CR-PPD-0115	Burner coil	1
PPS/2/2	CR-PPD-0016	Burner can	1
PPS/2/3	CR-PPD-0134	Can protection net	1
PPS/2/4	CR-PPD-0124	Lower jet ring	1
PPS/2/5	CR-PP-0327	Coil "o" seal	1
PPS/2/6	CR-PP-0013	M5x16 st stl cap head screw	1
PPS/2/7	CR-PP-0011	M5x12 st stl cap head screw	1
PPS/2/8	CR-PP-0111	M5 st stl lock nut	1
PPS/2/9	MA-FE-0840	M5x25 st stl cap head screw	1
PPS/2/10	CR-PPD-0127	Bi-metal strip	1
PPS/2/11	CR-PP-0041	M4x12 st stl pan head screw	1
Page 3B.2 Fig.3 Pressure gauge assembly			
PPS/3/1	CR-PPD-0062	Pressure gauge	1
PPS/3/2	CR-PPD-0063	Pressure gauge connection	1
PPS/3/3	CR-PP-0322	Pressure gauge "o" seal	1
PPS/3/4	CR-PPD-0064	Pressure gauge body seal	1
PPS/3/5	MA-FE-0840	M5x25 st stl cap head screw	1
Page 3B.3 Fig.4 Pilot light regulator and torch assembly			
PPS/4/1	CR-PPS-0043	Pilot light regulator lower body	1
PPS/4/2	CR-PP-0326	Lower body "o" seal	1
PPS/4/3	CR-PPD-0039	Pilot light regulator upper body	1
PPS/4/4	CR-PPD-0040	Pilot light regulator piston	1
PPS/4/5	CR-PPD-0091	Pilot light regulator spring	1
PPS/4/6	CR-PP-0311	Regulator stem piston "o" seal	1
PPS/4/7	CR-PP-0312	Regulator piston large "o" seal	1
PPS/4/8	CR-PPD-0038	Pilot flame jet filter	1
PPS/4/9	CR-PPD-0037	Pilot flame jet	1
PPS/4/10	CR-PPD-0035	Pilot flame lower tube	1
PPS/4/11	CR-N-0040	M6x6 st stl grub screw	1
PPS/4/12	CR-PPD-0036	Pilot flame tube gauze	1
PPS/4/13	CR-PP-0031	M4x5 st stl flat drive screw	1
PPS/4/14	CR-PP-0201	M4 st stl washer	1
PPS/4/15	CR-PPS-0032	Torch upper tube	1
PPS/4/16	CR-PPD-0065	Pilot light inlet filter housing	1
PPS/4/17	CR-PP-0321	Filter housing "o" seal	1
PPS/4/18	CR-PPD-0038	Pilot light fuel filter	1



3B

POWERPLUS
SINGLE
BURNER
PARTS

Cat. no.	Part Number	Description	Unit
Page 3B.3	Fig.5	Piezo ignitor assembly	
PPS/5/1	CR-PPD-0061	Piezo ignitor unit	1
PPS/5/2	CR-PPD-0057	Piezo ignitor support tube	1
PPS/5/3	CR-PPD-0060	Piezo ignitor insulator	1
PPS/5/4	CR-PPD-0059	Piezo ignitor spring	1
PPS/5/5	CR-PPD-0058	Piezo ignitor ceramic electrode	1
PPS/5/6	CR-PP-0324	Stop water "o" seal	1
PPS/5/7	CR-PP-0022	M6x8 st stl grub screw	1
Page 3B.4	Fig.6	Pilot flame valve assembly	
PPS/6/1	CR-PPS-B055	Right pilot valve handle - blue	1
PPS/6/2	CR-PPD-V055	Left pilot valve handle - red	1
PPS/6/3	CR-PPS-B054	Right pilot valve knob - blue	1
PPS/6/4	CR-PPD-V054	Left pilot valve knob - red	1
PPS/6/5	CR-C-0250	M6x20 st stl cap head screw	1
PPS/6/6	CR-N-0040	M6x6 st stl grub screw	1
PPS/6/7	CR-PPD-0082	Rotation stop pin	1
PPS/6/8	CR-PPS-0049	Pilot valve bonnet	1
PPS/6/9	CR-PP-0326	Pilot valve bonnet "o" seal	1
PPS/6/10	CR-PPD-0046	Pilot valve stem	1
PPS/6/11	CR-PPD-0082	Anti-rotation pin	1
PPS/6/12	CR-PPD-0050	Pilot valve cam	1
PPS/6/13	CR-PPD-0087	Stop stem washer	1
PPS/6/14	CR-PP-0032	M4x8 st stl flat drive screw	1
PPS/6/15	CR-PPD-0084	Anti-friction washer	1
PPS/6/16	CR-PPD-0045	Pilot valve shutter	1
PPS/6/18	CR-PPD-0090	Pilot valve spring	1
PPS/6/19	CR-PP-0323	Pilot valve stem "o" seal	1
Page 3B.5	Fig.7	Main and liquid valve double action assembly	
PPS/7/1	CR-PPS-B070	Blast valve right handle - blue	1
PPS/7/2	CR-PPS-V070	Blast valve left handle - red	1
PPS/7/3	CR-PPS-0076	Blast valve handle cam	1
PPS/7/4	CR-PPS-0077	Connection cam / stem	1
PPS/7/5	CR-PPD-0081	Double action handle pin	1
PPS/7/6	CR-PPS-L078	Liquid valve stem	1
PPS/7/7	CR-PPS-P078	Blast valve stem	1
PPS/7/8	CR-PP-0323	Blast & liquid valve stem "o" seal	1
PPS/7/9	CR-PPS-0080	Blast & liquid anti-friction washer	1
PPS/7/10	CR-PPS-0079	Blast & liquid valve centre body	1
PPS/7/11	CR-PPS-0075	Central column double connection	1
PPS/7/12	CR-PP-0301	Blast & liquid ptfе energized "o" seal	1
PPS/7/13	CR-PPD-0088	Blast & liquid spring washer retaining ptfе seal	1
PPS/7/14	CR-PPD-0090	Blast & liquid valve spring	1
PPS/7/15	CR-PPD-0045	Blast & liquid valve shutter	1
PPS/7/17	CR-PPS-0073	Liquid valve jet	1
PPS/7/18	CR-PPS-0074	Blast valve sleeve	1
PPS/7/19	CR-PP-0325	Blast & liquid jet valve sleeve "o" seal	1
PPS/7/20	CR-PPD-B069	Liquid valve right handle - blue	1
PPS/7/21	CR-PP-0001	M3x5 stainless steel hex drive screw	1
PPS/7/22	CR-PPD-0083	Liquid handle anti-friction washer	1



3B

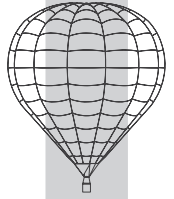
**P
O
W
E
R
P
L
U
S

S
I
N
G
L
E

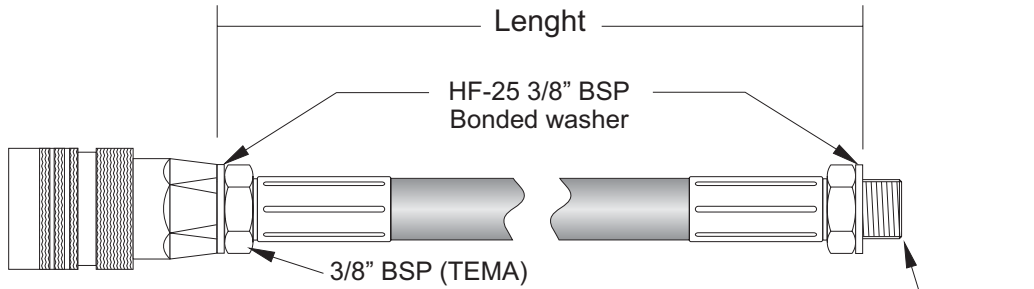
B
U
R
N
E
R

P
A
R
T
S**

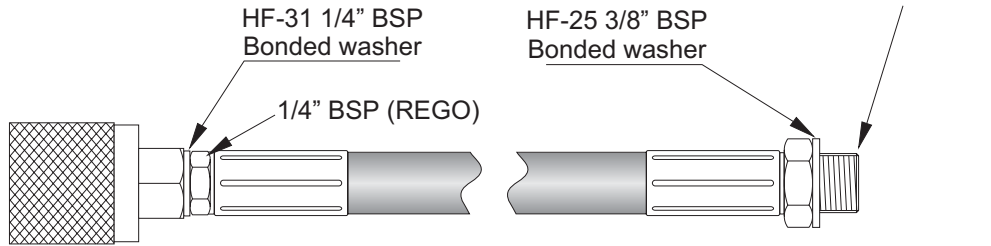
Cat. no.	Part Number	Description	Unit
Page 3B.5	Fig.7	Main and liquid valve double action assembly	
PPS/7/23	CR-PPD-0094	Liquid handle spring	1
PPS/7/24	CR-PPS-V069	Liquid valve left handle - red	1
PPS/7/25	CR-PPS-0072	Bar handle	1
PPS/7/26	MA-FE-0840	M5x25 stainless steel cap head screw	1
PPS/7/27	CR-N-0040	M6x6 stainless steel grub screw	1
PPS/7/28	CR-PPS-0071	External body	1
PPS/7/29	CR-PP-0017	M5x50 stainless steel cap head screw	1
PPS/7/30	CR-PP-0325	Blast & liquid valve body "o" seal	1
PPS/7/31	MA-FE-0170	M5x20 stainless steel cap head screw	1
PPS/7/32	CR-PPD-0066	Safety button	1
PPS/7/33	CR-PPD-0067	Safety button stem	1
PPS/7/34	CR-PPD-0068	Safety button support	1
PPS/7/35	CR-PPD-0093	Safety button spring	1



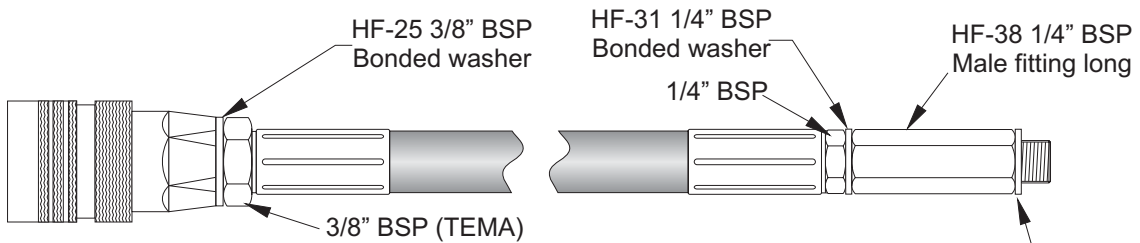
4 HOSES AND FITTINGS



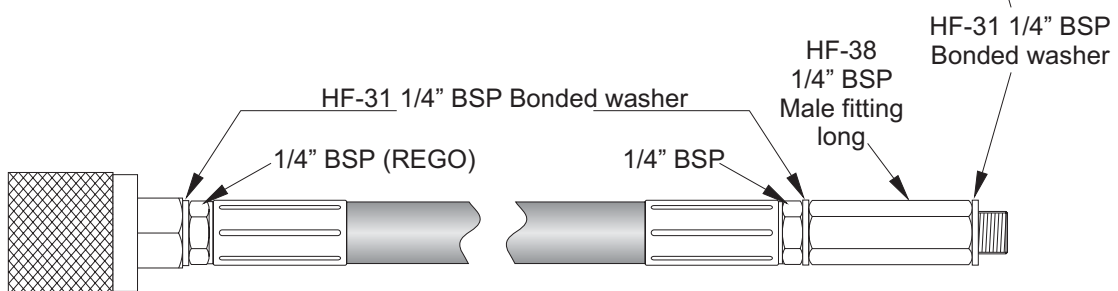
HF-01 3/8" x 3/8" MK-21 liquid hose with Tema std - 2,5mts long



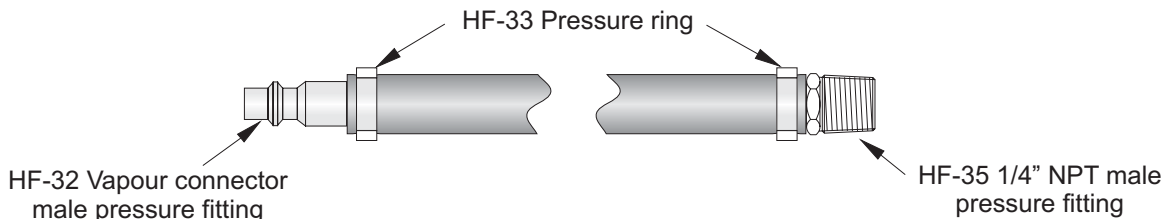
HF-03 1/4" x 3/8" MK-21 liquid hose with Rego std - 2,5mts long



HF-09 3/8" x 1/4" MK-10 liquid hose with Tema std - 2,5mts long

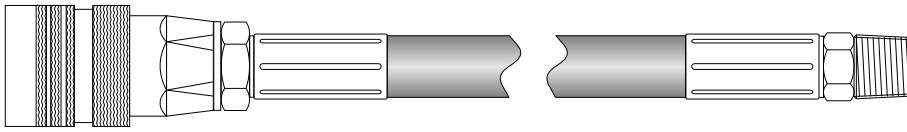
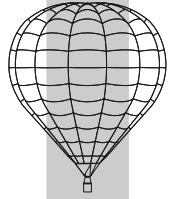


HF-11 1/4" x 1/4" MK-10 liquid hose with Rego std - 2,5mts long

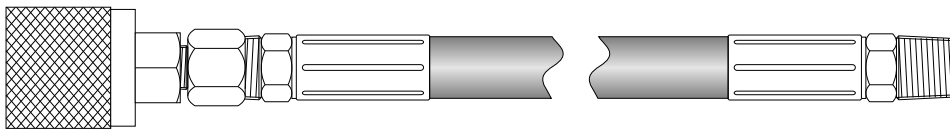


HF-17 Vapour hose complete std - 2mts long

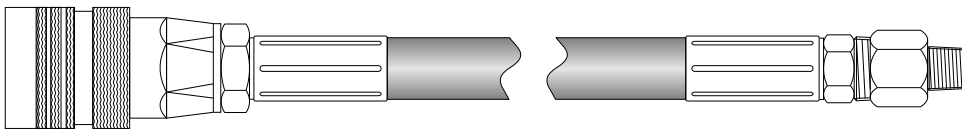
Note: when ordering replacement hoses it is important to measure the existing hose accurately as shown and request this length as well as quoting the part number.



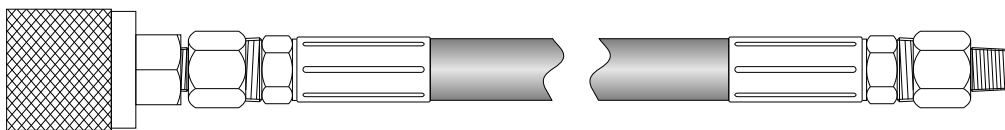
HF-40 3/8" BSP x 3/8" NPT Liquid hose with Tema std - 2,5mts long
Powerplus Maxi Tema hose



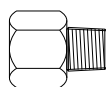
HF-41 1/4" x 3/8" NPT Liquid hose with Rego std - 2,5mts long
Powerplus Maxi Rego hose



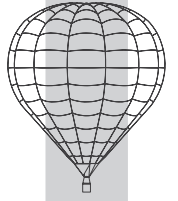
HF-42 3/8" BSP x 1/4" NPT Liquid hose with Tema std - 2,5mts long
Powerplus Single / Double Tema hose



HF-43 1/4" x 1/4" NPT Liquid hose with Rego std - 2,5mts long
Powerplus Single / Double Rego hose



HF-44 3/8" to 1/4" NPT st stl adaptor for Rego fittings



**4
H
O
S
E
S

A
N
D

F
I
T
T
I
N
G
S**



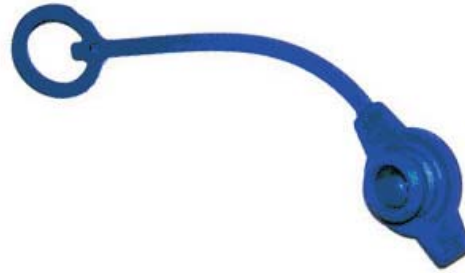
HF-19 Rego type 7141 hose connector



HF-20 Rego hose dust cap



HF-21 Tema 3810 female hose connector



HF-22 Tema hose dust cap



HF-40 FastFlat 3/8" female hose connector



HF-41 FastFlat hose dust cap



HF-23 Tema "O" seal inner



HF-24 Tema "O" seal outer



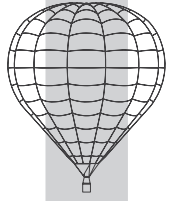
HF-25 3/8" BSP bonded washer



HF-26 Refuel adaptor Rego M x Rego F



HF-27 Refuel adaptor Rego M x Tema F



HF-28 Refuel adaptor Tema M x Tema F



HF-29 Refuel adaptor Tema M x Rego F



HF-30 Refuel adaptor Rego M x Rego M



HF-31 1/4" BSP Bonded washer



HF-32 Vapour connector Male



HF-33 Pressure ring



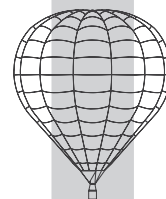
HF-35 1/4" NPT male pressure fitting



HF-38 1/4" NPT male fitting long



HF-34 Cylinder interconnection "T" hose Rego - 90cm long



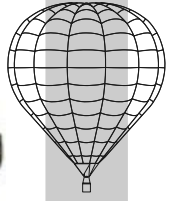
4

HOSES

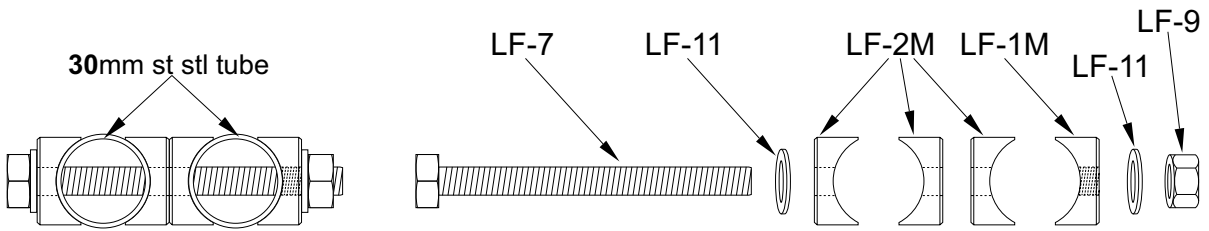
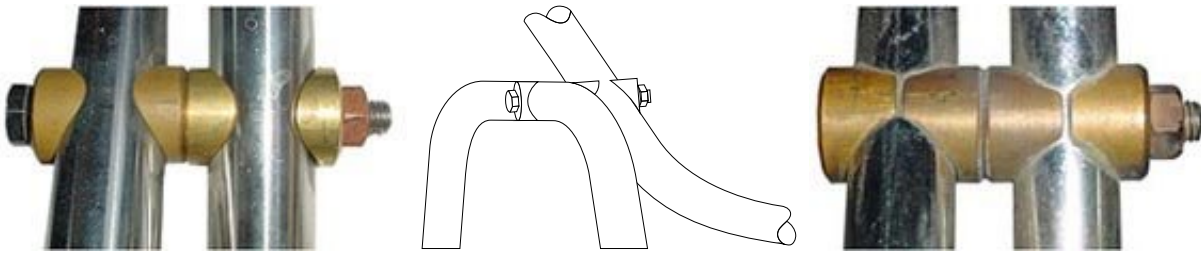
AND

FITTINGS

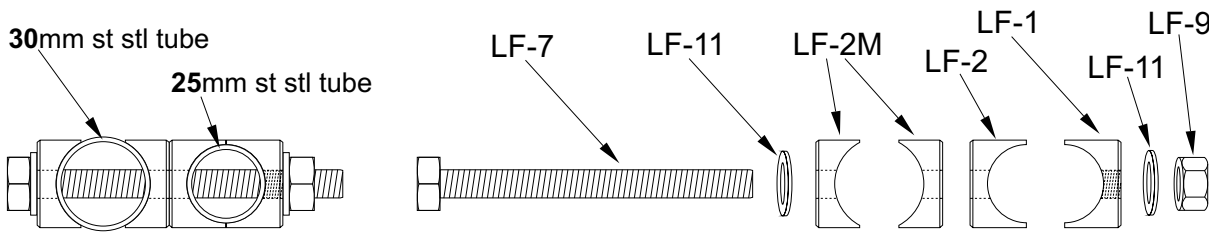
Cat. no.	Part Number	Description	Unit
Page 4.1			
HF-01		Mk21 Liquid hose with Tema - std length	1
HF-02		Mk21 Liquid hose with Tema - long	1
HF-03		Mk21 Liquid hose with Rego - std length	1
HF-04		Mk21 Liquid hose with Rego - long	1
HF-05	CR-06-0235	Mk21 Liquid hose only (for Tema) - std	1
HF-06		Mk21 Liquid hose only (for Tema) - long	1
HF-07	CR-06-0236	Mk21 Liquid hose only (for Rego) - std	1
HF-08		Mk21 Liquid hose only (for Rego) - long	1
HF-09		Mk10 Liquid hose with Tema - std length	1
HF-10		Mk10 Liquid hose with Tema - long	1
HF-11		Mk10 Liquid hose with Rego - std length	1
HF-12		Mk10 Liquid hose with Rego - long	1
HF-13		Mk10 Liquid hose only (for Tema) - std	1
HF-14		Mk10 Liquid hose only (for Tema) - long	1
HF-15		Mk10 Liquid hose only (for Rego) - std	1
HF-16		Mk10 Liquid hose only (for Rego) - long	1
HF-17	CR-06-0231	Mk10 Vapour hose complete - std length	1
HF-18		Mk10 Vapour hose complete - long	1
Page 4.2			
HF-40		Powerplus Maxi liquid hose with Tema std lenght	1
HF-41		Powerplus Maxi liquid hose with Rego std lenght	1
HF-42		Powerplus Single/Double liquid hose Tema std lenght	1
HF-43		Powerplus Single/Double liquid hose Rego std lenght	1
HF-44	CR-06-0260	3/8" to 1/4"NPT st stl adaptor for Rego fittings	1
HF-45	CR-06-0238	Powerplus Liquid hose only (for Tema) - std	1
HF-46	CR-06-0237	Powerplus Liquid hose only (for Rego) - std	1
Page 4.3			
HF-19	CR-06-0070	Rego type 7141F hose connector (Female)	1
HF-20	CR-06-0075	Rego 7141F hose dust cap	1
HF-21	CR-06-0080	Tema type 3810 hose connector (Female)	1
HF-22	CR-06-0220	Tema type 3816 hose dust cap	1
HF-23	MA-FE-0621	Tema 3810 "O" seal inner	1
HF-24	MA-FE-0620	Tema 3810 "O" seal outer	1
HF-25	MA-FE-0600	3/8" BSP bonded washer	1
HF-26	CR-C-0660	Refuel adaptor Rego M x Rego F	1
HF-27	CR-C-0661	Refuel adaptor Rego M x Tema F	1
HF-40	CR-06-0255	FastFlat 3/8" female hose connector	1
HF-41	CR-06-0256	FastFlat hose dust cap	1
Page 4.4			
HF-28	CR-C-0662	Refuel adaptor Tema M x Tema F	1
HF-29	CR-C-0663	Refuel adaptor Tema M x Rego F	1
HF-30	CR-C-0664	Refuel adaptor Rego M x Rego M	1
HF-31	CR-06-0020	1/4" BSP bonded washer	1
HF-32	CR-06-0100	Vapour connector male	1
HF-33	CR-06-0060	Pressure ring	1
HF-34	CR-07-0160	Cylinder interconnection "T" hose - Rego	1
HF-35	CR-06-0120	1/4"NPT male pressure fitting	1
HF-38	CR-06-0205	1/4"NPT male fitting long	1



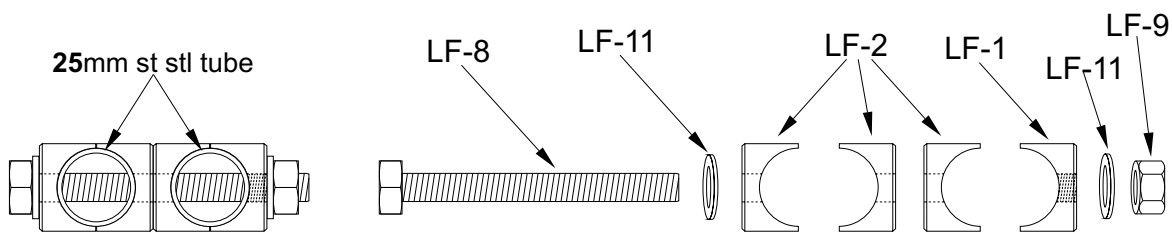
**5
LOAD
FRAME**



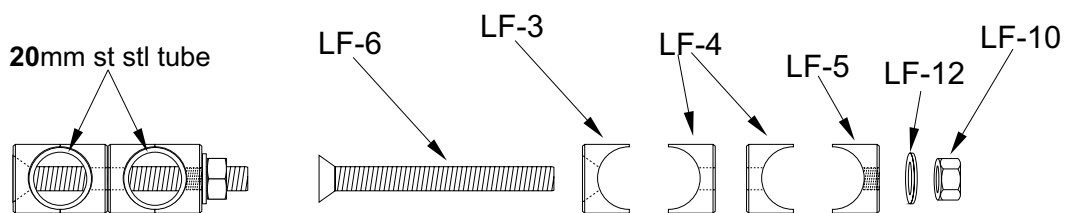
Type of frames: *QSQ4-triple/quad *QSQ6-triple/quad *QSQ8-triple/quad



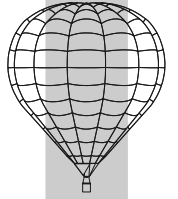
Type of frames: *QSQ4-double *QSQ7-triple



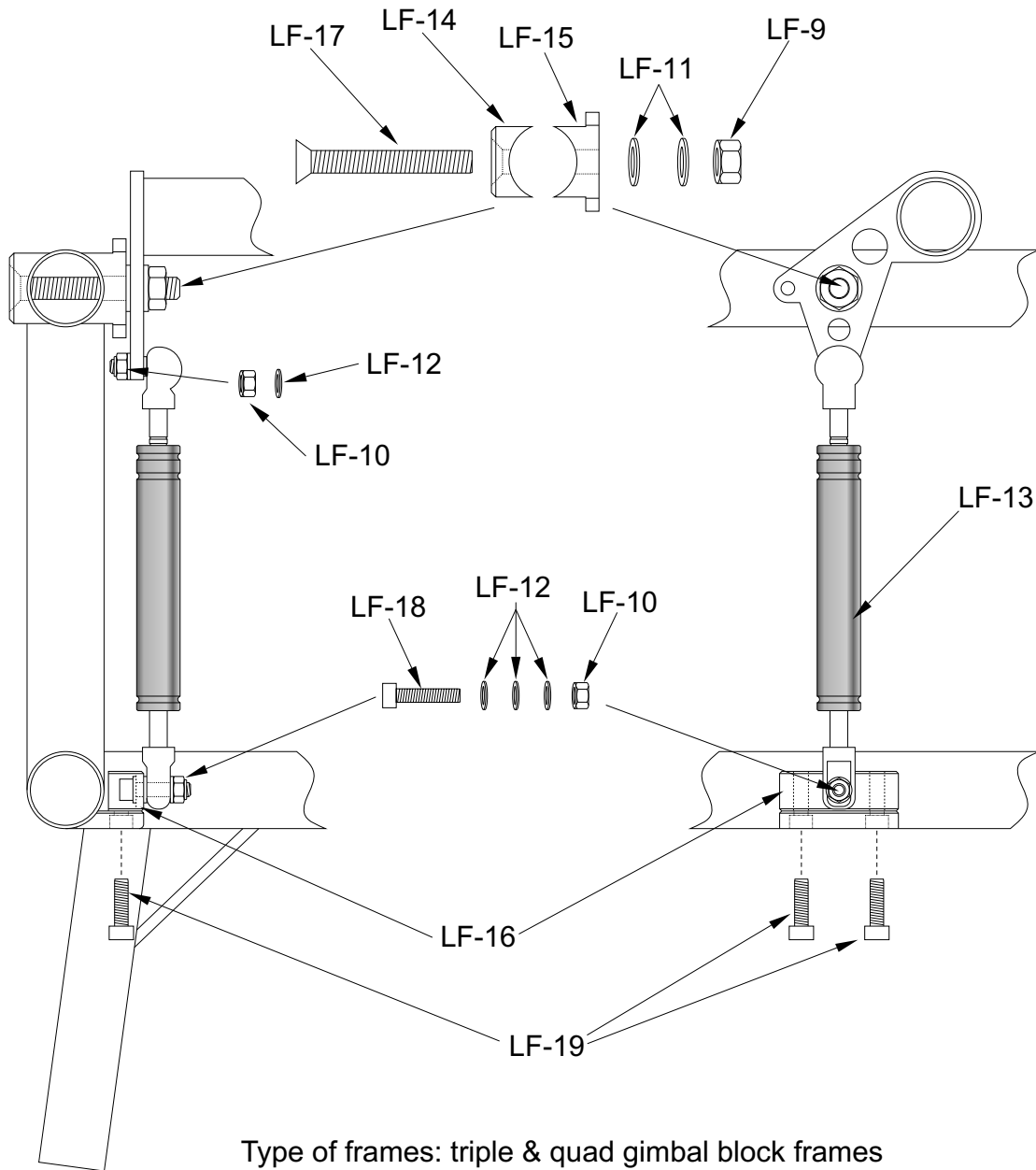
Type of frames: *QSQ7-double



Type of frames: *QSQ0-single/double *QSQ2-single/double *QSQ3-single/double

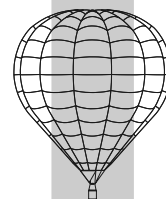


**5
L
O
A
D
F
R
A
M
E**

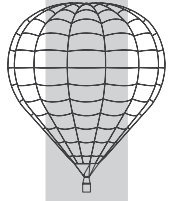


Type of frames: triple & quad gimbal block frames

Cat. no.	Part Number	Description	Unit
Page 5.1			
Single and old style burner frames			
LF-1	QU-C-0170	M10 Brass gimbal saddle - 25mm tube - threaded	1
LF-1M	Modified QU-C-0170	M10 Brass gimbal saddle - 30mm tube - threaded	1
LF-2	QU-C-0150	M10 Brass gimbal saddle - 25mm tube - plain	1
LF-2M	Modified QU-C-0150	M10 Brass gimbal saddle - 30mm tube - plain	1
LF-3	QU-C-0130	M8 Brass gimbal saddle - 20mm tube-countersink	1
LF-4	QU-C-0140	M8 Brass gimbal saddle - 20m tube - plain	1
LF-5	QU-C-0160	M8 Brass gimbal saddle - 20mm tube - threaded	1
LF-6	QU-C-0070	M8 x 70 stainless steel conical sink screw	1
LF-7	QU-C-0095	M10 x 100 stainless steel bolt	1
LF-8	QU-C-0090	M10 x 90 stainless steel bolt	1
LF-9	CR-03-0180	M10 brass lock nut	1
LF-10	CR-03-0190	M8 brass lock nut	1
LF-11	CR-C-0160	M10 stainless steel plain washer	1
LF-12	MA-FE-0100	M8 stainless steel plain washer	1
Page 5.2			
Triple and quad gimbal block burner frames			
LF-13	MA-FE-0890	Tension gas spring	1
LF-14	QU-33-1112	35mm brass saddle (outer)	1
LF-15	QU-33-1113	35mm anti-rotation brass saddle	1
LF-16	QU-33-1117	Gas spring horseshoe	1
LF-17	MA-FE-0305	M10 x 80 stainless steel conical sink screw	1
LF-18	MA-FE-0240	M8 x 30 stainless steel cap head screw	1
LF-19	BO-C-0080	M6 x 20 stainless steel cap head screw	1



**5
LOAD
FRAME**



**6
C
Y
L
I
N
D
E
R

P
A
R
T
S**



C-1 Rego type 7141 Male connector



C-2 Rego hose dust cap



C-3 Rego male inner "O" seal



C-4 Rego male outer flat seal



C-5 3/8" BSP bonded washer



C-6 Tema 3820 Male connector



C-7 Tema Male dust cap



C-42 FastFlat 3/8" Male connector



C-43 FastFlat Male dust cap

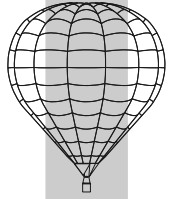


C-8 Ultramagic liquid take off valve

C-37 Allen conical sink screw (handle)



C-36 Liquid take of valve handle (blue)



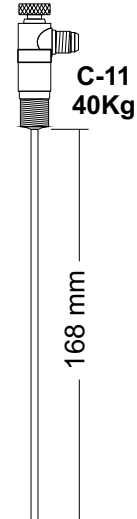
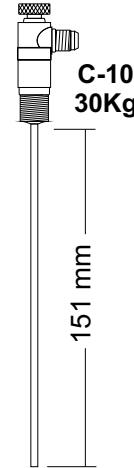
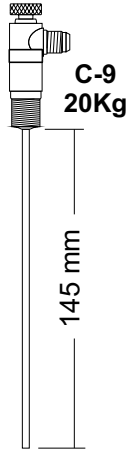
C-35 Fixed liquid level valve (bleed) - Old style REGO



C-9 Fixed liquid level valve (bleed) - 20 Kg

C-10 Fixed liquid level valve (bleed) - 30 Kg

C-11 Fixed liquid level valve (bleed) - 40 Kg



C-12 REGO Pressure relief valve - 26.5 bar (old style)



Complete Ultramagic PRV assembly - 27 bar



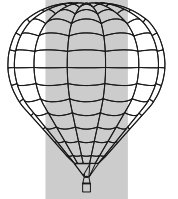
C-13 Ultramagic pressure relief valve - 27 bar



C-14 PRV deflector fitting



C-15 PRV Dust cap



**6
C
Y
L
I
N
D
E
R

P
A
R
T
S**

C-19A 16 litre Contents Gauge dial only for 20Kg cylinders



C-19B 24 litre Contents Gauge dial only for 30Kg & 40Kg cylinders



C-16 Contents level indicator complete 20 Kg cyl.

C-17 Contents level indicator complete 30 Kg cyl.

C-18 Contents level indicator complete 40 Kg cyl.



C-20 Contents level indicator allen screw



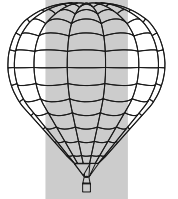
C-21 Contents level indicator seal



C-38 Regulator port blanking plug (Slave cylinders)



C-39 Vapour port blanking plug (Master cylinders)



**6
C
Y
L
I
N
D
E
R

P
A
R
T
S**



C-22 Vapour valve REGO



Ref - Vapour regulator assembly
(Old style)



C-23 Vapour regulator
POL connector (Old style)



C-26 Vapour connector
adaptor (Old style)



C-25 Vapour connector
female



Ref - Vapour regulator assembly



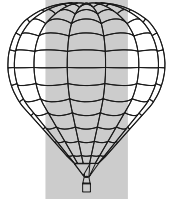
C-40 3/8" BSP left Lock nut



C-41 1/4" BSP Vapour connector adaptor



C-24 Vapour regulator



**6
C
Y
L
I
N
D
E
R

P
A
R
T
S**



Ref - Old style liquid valve assembly



Ref - Angled Rego block assembly



Ref - Straight Rego block assembly



Ref - Angled Tema block assembly



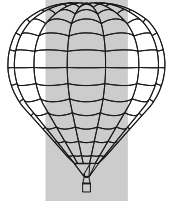
Ref - Angled Tema block assembly - details



C-27 Liquid valve assembly (Old style)



C-28 Liquid valve seals kit



**6
C
Y
L
I
N
D
E
R

P
A
R
T
S**



Ref - Old style liquid valve detail breakdown



Gland nut



Gland seals



Stem seal



Main ball seals



C-29 Liquid valve adaptor



C-30 Angled Rego block



C-31 Angled Tema block



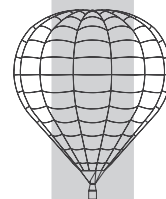
C-32 Straight Rego block



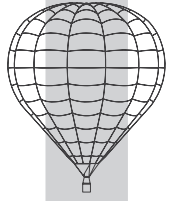
C-33 Rego Male (external thread)



C-34 Tema adaptor

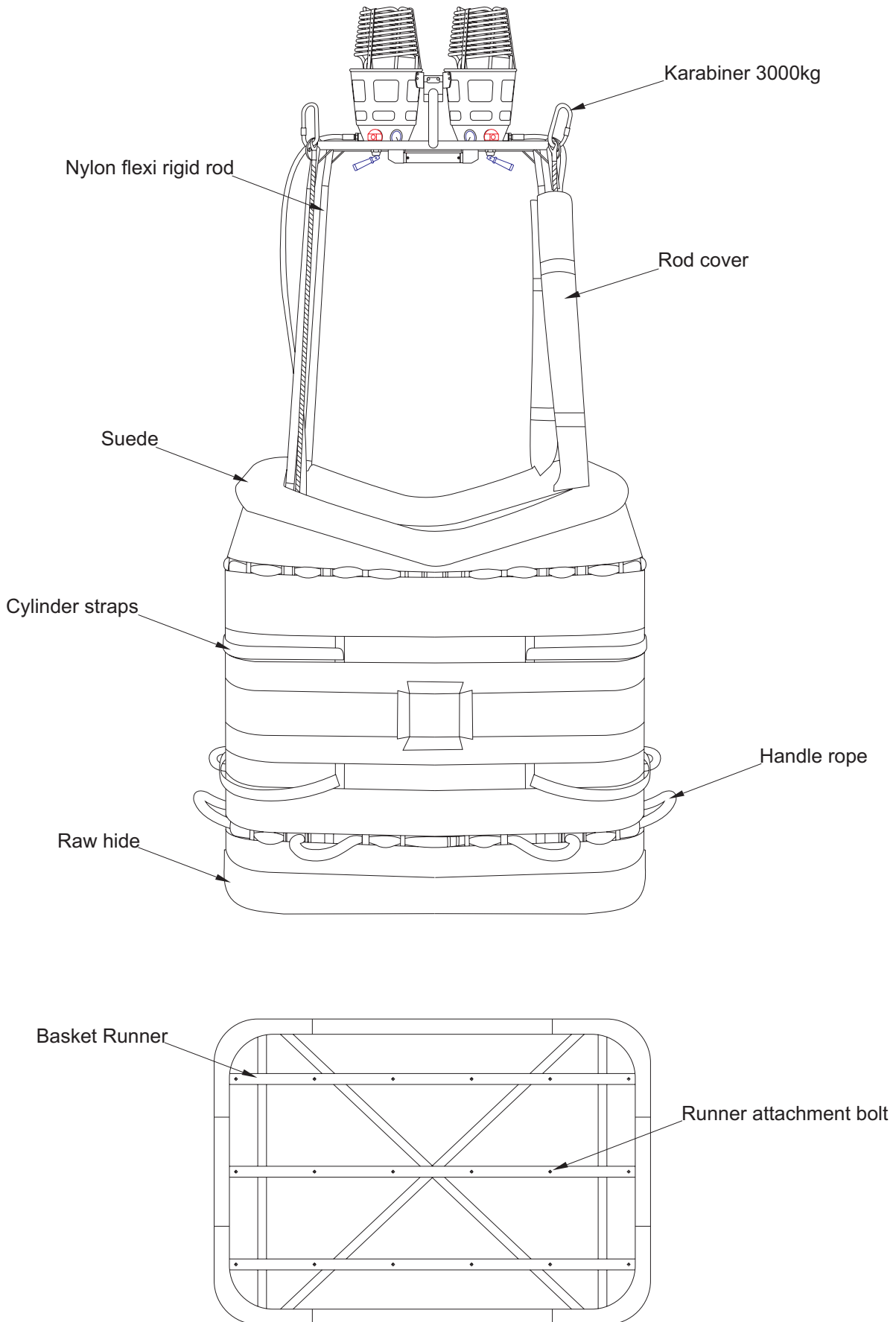


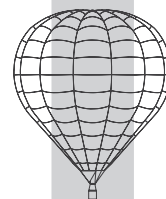
Cat. no.	Part Number	Description	Unit
Page 6.1			
C-1	CR-07-0030	Rego type 7141M connector	1
C-2	CR-07-0035	Rego 7141M hose dust cap	1
C-3	BO-FL-0045	Rego male inner seal	1
C-4	BO-FL-0040	Rego male outer seal	1
C-5	MA-FE-0600	3/8" BSP bonded washer	1
C-6	CR-07-0020	Tema 3820 Male connector	1
C-7	BO-FL-0140	Tema dust cap (Male)	1
C-8	BO-FP-0130	Ultramagic Liquid take off valve	1
C-36	CR-C-0420	Liquid take off valve handle (blue)	1
C-37	CR-03-0030	Allen conical sink screw (handle)	1
Page 6.2			
C-9	BO-C-0225 (20)	Fixed liquid level valve - 20kg cylinder	1
C-10	BO-C-0225 (30)	Fixed liquid level valve - 30kg cylinder	1
C-11	BO-C-0225 (40)	Fixed liquid level valve - 40kg cylinder	1
C-12	BO-C-0270	Pressure relief valve - Rego 26.5 Bar (old style)	1
C-13	BO-C-0285	Pressure relief valve - Tecval 27 Bar	1
C-14	BO-C-0100	Pressure relief valve deflector fitting	1
C-15	BO-C-0070	Pressure relief valve dust cap	1
C-35	BO-C-0220	Fixed liquid level valve REGO (Old style)	1
Page 6.3			
C-16	BO-C-0180	Contents level indicator complete 20kg cyl.	1
C-17	BO-C-0170	Contents level indicator complete 30kg cyl.	1
C-18	BO-C-0160	Contents level indicator complete 40kg cyl.	1
C-19A	BO-C-0136	16 litres Contents gauge - dial only 20Kg cyl.	1
C-19B	BO-C-0137	24 litres Contents gauge - dial only 30 & 40Kg cyl.	1
C-20	BO-C-0080	Contents level indicator allen screw	1
C-21	BO-C-0135	Contents level indicator seal	1
C-38	BO-C-0260	Regulator port blanking plug 3/4" (slave cylinders)	1
C-39	BO-C-0250	Vapour port blanking plug 1/4" (master cylinders)	1
Page 6.4			
C-22	BO-FP-0120	Vapour valve REGO	1
C-23	BO-FP-0040	Vapour regulator pol connector (2906D REGO)	1
C-24	BO-FP-0095	Vapour regulator	1
C-25	BO-FP-0010	Vapour connector female UM	1
C-26	BO-FP-0060	Vapour connector adaptor	1
C-40	BO-FP-0086	3/8"BSP left lock nut	1
C-41	BO-FP-0085	1/4"BSP Vapour connector adaptor	1
Page 6.5			
C-27	BO-FL-0150	Liquid valve assembly (Old style)	1
Page 6.6			
C-29		Liquid valve adaptor	1
C-30		Angled Rego block	1
C-31		Angled Tema block	1
C-32		Rego block (straight)	1
C-33	BO-FL-0020	Rego male fitting (external thread)	1
C-34		Tema adaptor	1



**7
B
A
S
K
E
T

P
A
R
T
S**



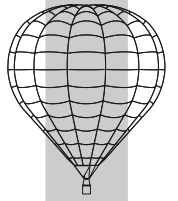
**Notes:**

When ordering Nylon rods, the exact length must be given as well as the appropriate part number.

When ordering rod covers, the exact length must be given as well as basket / rod details and suede colour required.

Basket runner section is supplied blank with no holes Dimensions shown are in centimetres.

Cat. no.	Part Number	Description	Unit
BA-1	CI-C-0060	Nylon flexi rigid rod - 35cm	1
BA-29	CI-C-0050	Nylon flexi rigid rod - 30cm	1
BA-2	CI-C-0040	Nylon flexi rigid rod - 25cm	1
BA-3	EM-01-0140	Karabiner - Stubai 3000kg	1
BA-4		Rod cover	1
BA-5	CI-01-0050	Suede - black	piece
BA-6	CI-01-0010	Suede - navy blue	piece
BA-7	CI-01-0060	Suede - dark green (bottle)	piece
BA-8	CI-01-0040	Suede - dark brown	piece
BA-9	CI-01-0080	Suede - red	piece
BA-10	CI-01-0030	Suede - tobacco	piece
BA-11		Suede - leather	piece
BA-12	CI-01-0090	Raw hide	piece
BA-13	CI-C-0210	Runner attachment bolt M10x55	1
BA-14	QU-C-0110	Runner attachment nut M10	1
BA-15		Frame attachment "U" bolt	1
BA-16		Frame attachment nut	1
BA-17	CI-02-0010	C-2 Basket Runner - 5 x 5 x 110	1 length
BA-18	CI-02-0020	C-3 Basket Runner - 5 x 5 x 130	1 length
BA-19	CI-02-0030	C-10 Basket Runner - 5 x 5 x 145	1 length
BA-20	CI-02-0040	C-4 Basket Runner - 5 x 5 x 160	1 length
BA-21	CI-02-0050	C-6 Basket Runner - 8 x 5 x 180	1 length
BA-22	CI-02-0060	Basket Runner - 8 x 5 x 190	1 length
BA-23	CI-02-0070	C-7 Basket Runner - 8 x 5 x 200	1 length
BA-24	CI-02-0080	C-5 Basket Runner - 8 x 5 x 220	1 length
BA-25	CI-02-0090	C-5L Basket Runner - 8 x 5 x 240	1 length
BA-26	CI-02-0100	C-8 Basket Runner - 8 x 5 x 260	1 length
BA-27	CI-02-0110	C-9 Basket Runner - 9 x 5 x 300	1 length
BA-28	CI-02-0120	C-11 Basket Runner - 9 x 5 x 350	1 length
BA-38	CI-02-0190	C-12 Basket Runner - 9 x 4,5 x 450	1 length
BA-39	CI-02-0230	C-14 Basket Runner - 9 x 4,5 x 520	1 length
BA-30		Basket Runner - no cut out for nylon	metre
BA-31	CI-C-0780	Basket Runner - Nylon strip - 3mts long	1
BA-32	CI-04-0020	20mm Handle rope - white	metre
BA-33	CI-04-0040	20mm Handle rope - black	metre
BA-34	CI-04-0060	20mm Handle rope - red	metre
BA-35	CI-04-0030	20mm Handle rope - blue	metre
BA-36	CI-04-0070	20mm Handle rope - yellow	metre
BA-37	CI-04-0050	20mm Handle rope - green	metre
BA-40	CI-C-0595	St stl Turnbuckle	1
BA-41	EM-01-0120	St stl 5mm Quick link	1



8
M
K
1
0
B
U
R
N
E
R
P
A
R
T
S

BU10-2 Ignitor electrode assembly - liquid pilot
BU10-2v Ignitor electrode assembly - vapour pilot



BU10-1 Piezo



BU10-3 Pressure gauge and copper seal



Ref - Liquid pilot light assembly



BU10-4 Liquid pilot regulator



BU10-5 copper washer



BU10-6 Liquid pilot stem



BU10-7 Liquid pilot jet



BU10-8 Liquid pilot light regulator cylinder

BU10-9 Liquid pilot light regulator piston assembly



BU10-9A piston large "O" seal

BU10-9C piston flat top seal

BU10-9B piston small "O" seal



BU10-10 Liquid pilot light regulator spring



BU10-11 Liquid pilot light regulator cylinder cap



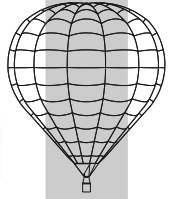
BU10-12 Liquid pilot valve



BU10-13 Liquid pilot vent tubs



BU10-14 pilot light handle



8

**M
K
1
0

B
U
R
N
E
R

P
A
R
T
S**



Ref - Liquid fire valve assembly



BU10-15 Liquid fire diffuser with mesh



BU10-16 Liquid fire jet stem

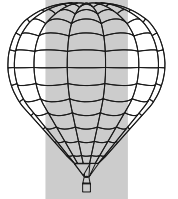


BU10-17 Liquid fire valve (left)
BU10-17A Liquid fire valve (right)



BU10-18 Liquid fire handle





BU10-19 Main valve
BU10-20 Main valve screws



BU10-21 Main valve handle assembly
BU10-22 Main valve handle pivot pin
BU10-23 Main valve handle circlip



Thrust washer Valve body Body seal Stem seal Stem washer Valve spring Valve stem assembly Valve cushion assembly

BU10-24 Main valve thrust washer
BU10-25 Main valve body
BU10-26 Main valve body seal
BU10-27 Main valve stem seat seal

BU10-28 Main valve stem washer
BU10-29 Main valve spring
BU10-30 Main valve stem assembly
BU10-32 Main valve cushion assembly

BU10-31 Stem seals



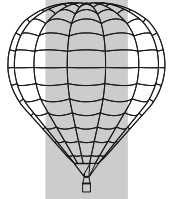
Ref - Main valve stem assembly seals detail



BU10-35 Block lock ring



BU10-36 Coil to Can attachment screws



**8
M
K
1
0
B
U
R
N
E
R
P
A
R
T
S**



BU10-37 Side strip
BU10-38 Side strip screw



BU10-39 Side strip nut
BU10-40 Side strip washer



BU10-41 Can left / BU10-41v Can left (vapour pilot)
BU10-42 Can right / BU10-42v Can right (vapour pilot)



BU10-43 Handle bar assembly
BU10-44 Handle bar screw
BU10-45 Handle bar screw plate



BU10-46 Cover plate



BU10-47 Cover plate screw



BU10-48 Slurper tube
BU10-49 Slurper tube screw

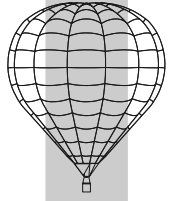


BU10-50 Condensate seal



BU10-51 Coil strip screw





**8
M
K
1
0
B
U
R
N
E
R
P
A
R
T
S**



Ref - Crossover valve assembly



Ref - Crossover feed tube 1 each side



Ref - Crossover valve assembly



BU10-52 Cross over valve



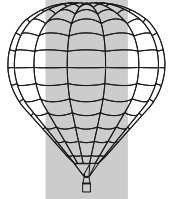
BU10-54 1/4" BSP bonded washer



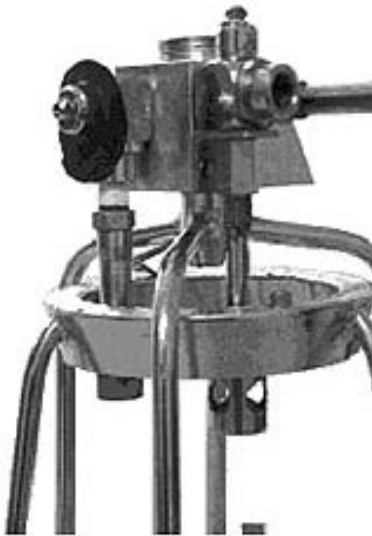
BU10-53 Male union fitting



BU10-55 Crossover feed tube



**8
M
K
1
0
B
U
R
N
E
R
P
A
R
T
S**



Ref - Vapour pilot light installation



BU10-56 Vapour pilot valve (left)
BU10-57 Vapour pilot valve (right)



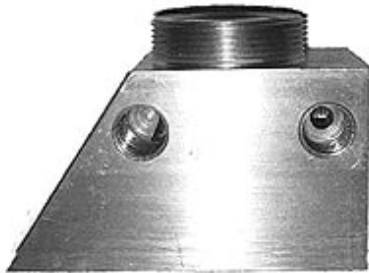
BU10-58 Vapour pilot stem assembly



BU10-59 Vapour pilot jet



BU10-60 Vapour pilot valve adaptor



BU10-61 Valve block (left) / BU10-61v Vapour pilot
BU10-62 Valve block (right) / BU10-62v Vapour pilot
BU10-63 Valve block triple / BU10-63v Vapour pilot



BU10-64 Coil assembly



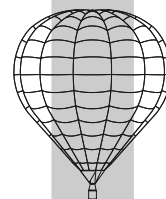
Ref - coil jet ring clean and drain position



BU10-65 Jet ring screw



BU10-66 Jet ring copper seal washer



8

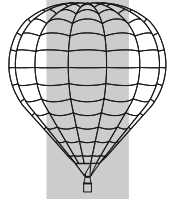
MK10

BURNER

PARTS

Cat. no.	Part Number	Description	Unit
Page 8.1			
BU10-1	CR-04-0080	Piezo ignitor	1
BU10-2	CR-04-0060	Ignitor electrode assembly - liquid pilot (long)	1
BU10-2v	CR-04-0070	Ignitor electrode assembly - vapour pilot - (short)	1
BU10-2A	CR-04-0030	Ignitor electrode ceramic	1
BU10-2B		Ignitor electrode stem	1
BU10-3	CR-C-0455	Pressure gauge	1
BU10-4	CR-02-0220	Liquid pilot regulator	1
BU10-5	CR-C-0090	Copper washer	1
BU10-6	CR-02-0060	Liquid pilot stem	1
BU10-7	CR-22-0713	Liquid pilot light jet	1
BU10-8		Liquid pilot light regulator cylinder	1
BU10-9		Liquid pilot light regulator piston assembly	1
BU10-9A	CR-02-0140	Regulator piston large "O" seal	1
BU10-9B	CR-02-0150	Regulator piston small "O" seal	1
BU10-9C	CR-02-0130	Regulator piston top flat seal	1
BU10-10		Liquid pilot light regulator spring	1
BU10-11		Liquid pilot light regulator cylinder cap	1
Page 8.2			
BU10-12	CR-02-0290	Liquid pilot valve	1
BU10-13		Liquid pilot vent tubes	1
BU10-14	CR-C-0430	Pilot light handle	1
BU10-15	CR-02-0070	Liquid fire diffuser with mesh	1
BU10-16	CR-05-0030	Liquid fire jet stem	1
BU10-17	CR-08-0080	Liquid fire valve (Left)	1
BU10-17A	CR-08-0090	Liquid fire valve (Right)	1
BU10-18	CR-C-0420	Liquid fire handle	1
Page 8.3			
BU10-19	CR-09-0460	Main valve	1
BU10-20		Main valve screw	1
BU10-21	CR-09-0190	Main valve handle assembly	1
BU10-22	CR-09-0230	Main valve handle pivot pin	1
BU10-23		Main valve handle circlip (seeger RA4)	1
BU10-24	CR-09-0040	Main valve thrust washer	1
BU10-25	CR-09-0465	Main valve body	1
BU10-26	CR-09-0140	Main valve body seal	1
BU10-27	CR-09-0150	Main valve stem seat seal	1
BU10-28	CR-09-0010	Main valve stem washer	1
BU10-29	CR-09-0200	Main valve spring	1
BU10-30	CR-09-0100	Main valve stem assembly	1
BU10-31	CR-02-0150	Main valve stem seals	1
BU10-32	CR-09-0270	Main valve cushion assembly	1
BU10-35	CR-09-0120	Block lock ring	1
BU10-36	CR-03-0050	Coil to can attachment screws	1
Page 8.4			
BU10-37	CR-03-0200	Side strip	1
BU10-38	CR-C-0230	Side strip attachment screw	1
BU10-39	CR-03-0170	Side strip attachment nut	1
BU10-40	MA-FE-0520	Side strip attachment washer	1
BU10-41	CR-03-0160	Can left	1
BU10-41v		Can left vapour pilot system	1
BU10-42		Can right	1
BU10-42v		Can right vapour pilot system	1

Cat. no.	Part Number	Description	Unit
Page 8.4			
BU10-43		Handle bar assembly	1
BU10-43t	CR-09-0370	Handle bar tube	1
BU10-43f	CR-09-0290	Handle bar fitting	1
BU10-44		Handle bar screw	1
BU10-45		Handle bar screw plate	1
BU10-46		Cover plate	1
BU10-47		Cover plate screw	1
BU10-48	CR-C-0590	Slurper tube	1
BU10-49		Slurper tube screw	1
BU10-50		Condensate seal - liquid hose	1
BU10-51	CR-01-0020	Coil strip screw - stainless steel aisi316	1
Page 8.5			
BU10-52	CR-05-0110	Cross over valve	1
BU10-53	CR-05-0040	Male union fitting assembly	1
BU10-54	CR-06-0020	1/4" BSP bonded washer	1
BU10-55	CR-05-0050	Cross over feed tube	1
Page 8.6			
BU10-56	CR-02-0280	Vapour pilot valve (Left)	1
BU10-57	CR-02-0270	Vapour pilot valve (Right)	1
BU10-58		Vapour pilot stem assembly	1
BU10-59		Vapour pilot jet	1
BU10-60		Vapour pilot valve adaptor	1
BU10-61	CR-09-0310	Valve block (Left)	1
BU10-61v	CR-09-0310	Valve block (Left) vapour pilot system	1
BU10-62	CR-09-0320	Valve block (Right)	1
BU10-62v	CR-09-0320	Valve block (Right) vapour pilot system	1
BU10-63	CR-09-0330	Valve block (Triple)	1
BU10-63v	CR-09-0330	Valve block (Triple) vapour pilot system	1
BU10-64	CR-01-0080	Coil assembly	1
BU10-65	MA-FE-0507	Jet ring drain screw	1
BU10-66	CR-01-0010	Jet ring copper seal washer	1

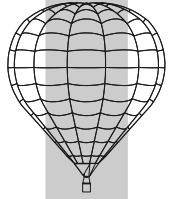


8

MK10

BURNER

PARTS



**9
F
A
N
P
A
R
T
S**



F-1 Fuel tank cap



F-2 Wheel - 9 & 13 hp



F-3 Wheel - 5.5 hp



F-4 Wheels holder



F-5 Frame tub end cap



F-25 Three blade impeller 3 hp



F-6 Three blade impeller 9 & 13 hp



F-7 Three blade impeller 5.5 hp



F-8 Blade impeller 9 & 13 hp



F-9 Blade impeller 5.5 hp



F-26 Blade impeller 3 hp



F-10 Blade blanking plug 5.5, 9 & 13 hp



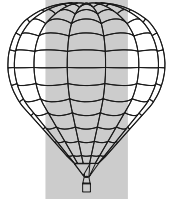
F-27 Blade blanking plug 3 hp



F-11 Blade impeller allen screw



F-12 Blade impeller nyloc nut



**9
F
A
N
P
A
R
T
S**



F-13 Front guard 850mm - 9 & 13 hp

F-14 Front guard 660mm - 5.5 hp

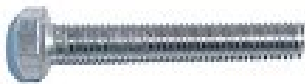
F-28 Front guard 560mm - 3 hp



F-15 Back guard 870mm - 9 & 13 hp

F-16 Back guard 680mm - 5.5 hp

F-29 Back guard 550mm - 3 hp



F-17 Guards
hex head screw



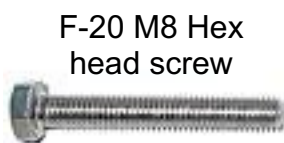
F-18 Guards
plain washer



F-19 Guards
nyloc nut



Ref - Engine mounting detail



F-20 M8 Hex
head screw



F-21 Rubber
mount



F-22 M8 Plain
washer



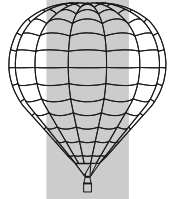
F-23 M8
st steel nut



F-24 M8 brass
lock nut



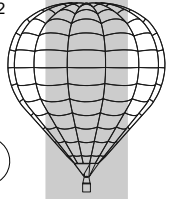
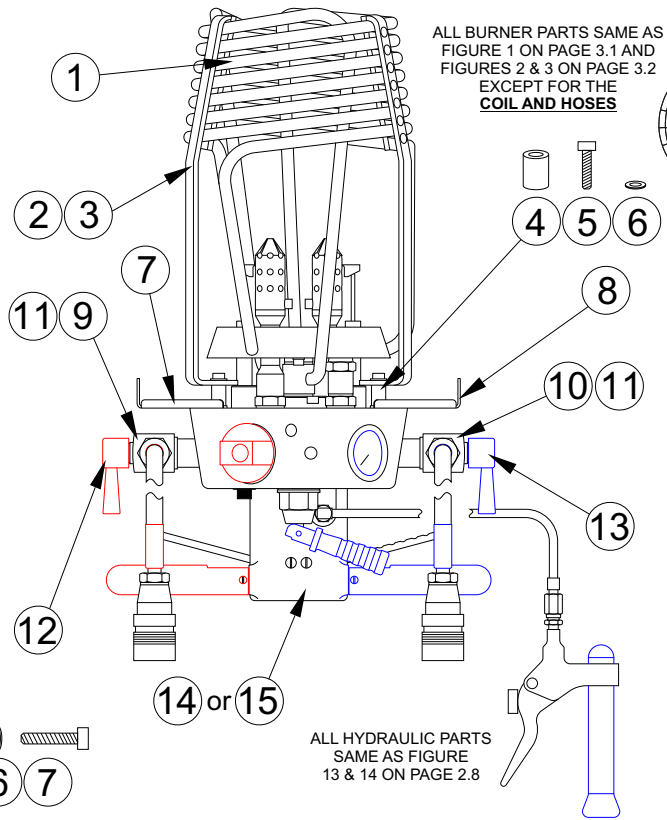
Cat. no.	Part Number	Description	Unit
Page 9.1			
F-1	VE-C-0470	Fuel tank cap	1
F-2	VE-C-0440	Large wheel - 9 & 13 hp fans	1
F-3	VE-C-0430	Small wheel - 5.5 hp fan	1
F-4	VE-C-0030	Wheels holder	1
F-5	VE-C-0480	20mm Frame tub end cap	1
F-6	VE-C-0320	3 Blade impeller - 9 & 13 hp fans	1
F-7	VE-C-0310	3 Blade impeller - 5.5 hp fan	1
F-8	VE-C-0020	Blade impeller - 9 & 13 hp fans	1
F-9	VE-C-0010	Blade impeller - 5.5 hp fan	1
F-10	VE-C-0500	Blade blanking plug - 5.5, 9 & 13 hp fans	1
F-11	MA-FE-0142	M6 x 25 Blade impeller allen screw	1
F-12	MA-FE-0380	M6 Blade impeller nyloc nut	1
Page 9.2			
F-13	VE-C-0400	Front guard 850mm diameter - 9 & 13 hp fans	1
F-14	VE-C-0390	Front guard 660mm diameter - 5.5 hp fan	1
F-15	VE-C-0410	Back guard 870mm diameter - 9 & 13 hp fans	1
F-16	VE-C-0420	Back guard 680mm diameter - 5.5 hp fan	1
F-17	MA-FE-0152	M6 x 40 Guards hex head screw - stainless steel	1
F-18	CR-03-0010	M6 Guards plain washer - stainless steel	1
F-19	VE-C-0250	M6 Guards nyloc nut - stainless steel	1
F-20	VE-C-0220	Engine mounting M8 x 55 Hex drive screw - st steel	1
F-21	VE-C-0460	Ruber mount	1
F-22	MA-FE-0100	Engine mounting M8 Plain washer - stainless steel	1
F-23	VE-C-0270	Engine mounting M8 Nut - stainless steel	1
F-24	CR-03-0190	Engine mounting M8 Brass lock nut	1
F-25	VE-C-0285	3 Blade impeller - 3 hp fan	1
F-26		Blade impeller - 3 hp fan	1
F-27		Blade blanking plug - 3 hp fan	1
F-28	VE-C-0385	Front guard 560mm diameter - 3 hp fan	1
F-29	VE-C-0405	Back guard 550mm diameter - 3 hp fan	1



**9
F
A
N
P
A
R
T
S**

FIGURE 1
SOLO SINGLE BURNER CONFIGURATION

ITEM	DESCRIPTION	PART No
15	HANDLE POST LONG-HYDRAULIC VERSION	SL/1/15
14	HANDLE POST	SL/1/14
13	RIGHT ISOLATION VALVE HANDLE - BLUE	SL/1/13
12	LEFT ISOLATION VALVE HANDLE - RED	SL/1/12
11	3/8" BONDED WASHER	SL/1/11
10	RIGHT ISOLATION VALVE	SL/1/10
9	LEFT ISOLATION VALVE	SL/1/9
8	BURNER MOUNTING BRACKET LONG	SL/1/8
7	BURNER MOUNTING BRACKET	SL/1/7
6	M6 PLAIN WASHER ST STL	SL/1/6
5	M6x30 CAP HEAD SCREW ST STL	SL/1/5
4	COIL SUPPORT SPACER	SL/1/4
3	SOLO COIL SUPPORT SHORT (INNER)	SL/1/3
2	SOLO COIL SUPPORT LONG (OUTER)	SL/1/2
1	SOLO COIL ASSEMBLY - SHORT VERSION	SL/1/1



10 SOLO / DUO PARTS

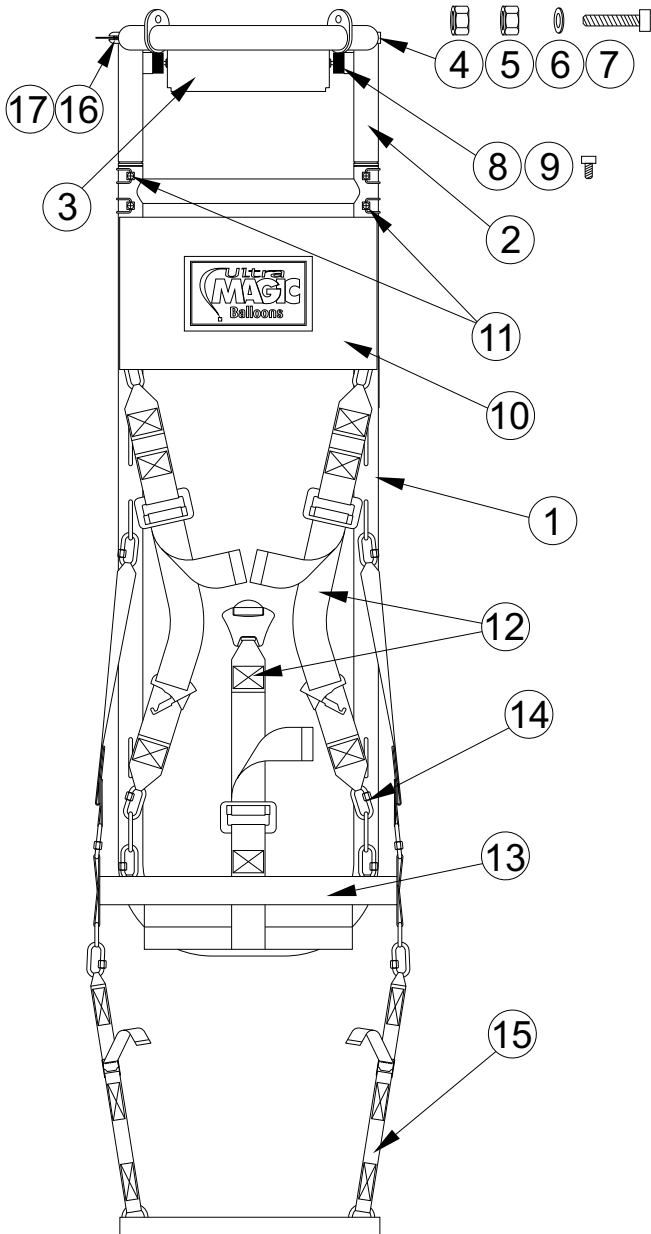


FIGURE 2
SOLO BOTTOM END CONFIGURATION

ITEM	DESCRIPTION	PART No
19	SOLO BURNER PADDED BAG	SL/2/19
18	SOLO MAIN FRAME BAG	SL/2/18
17	SPRING TYPE D21730	SL/2/17
16	BURNER LOCK PIN	SL/2/16
15	SOLO/DUO FOOT REST ASSEMBLY	SL/2/15
14	5MM 2250Kg RAPID LINK	SL/2/14
13	SOLO/DUO SEAT ASSEMBLY	SL/2/13
12	SOLO/DUO HARNESS ASSEMBLY	SL/2/12
11	M8x95 CARBON STEEL LOCKING PIN	SL/2/11
10	SOLO HEAD REST ASSEMBLY	SL/2/10
9	M6x10 CAP HEAD SCREW ST STL	SL/2/9
8	MIRROR SOCKET	SL/2/8
7	M8x55 CAP HEAD SCREW ST STL	SL/2/7
6	M8 PLAIN WASHER ST STL	SL/2/6
5	M8 ST STL NUT	SL/2/5
4	M8 BRASS LOCK NUT	SL/2/4
3	MIRROR ASSEMBLY	SL/2/3
2	BURNER FRAME ASSEMBLY	SL/2/2
1	MAIN FRAME ASSEMBLY	SL/2/1

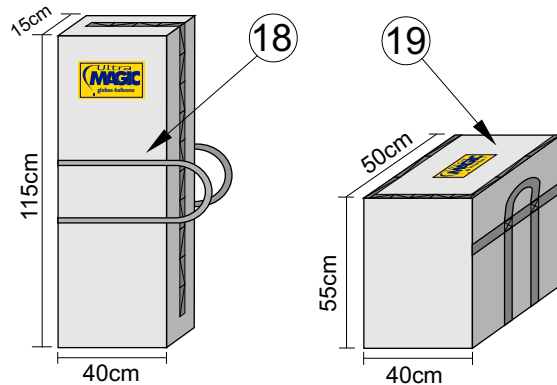
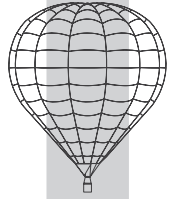


FIGURE 3
DUO BOTTOM END CONFIGURATION



10 SOLO / DUO PARTS

ITEM	DESCRIPTION	PART No	ITEM	DESCRIPTION	PART No
11	RIGHT HINGE BRACKET	DU/3/11	24	MIRROR ASSEMBLY	DU/3/24
10	MODIFIED LOCK PIN ST STL - LONG	DU/3/10	23	DUO MAIN FRAME TRANSPORTATION BAG	DU/3/23
9	50MM LOCK PIN ST STL	DU/3/9	22	M10x45 ST STL CAP HEAD SCREW	DU/3/22
8	5MM 2250Kg RAPID LINK	DU/3/8	21	SUSPENSION BEARING LONG	DU/3/21
7	DUO HEAD REST ASSEMBLY	DU/3/7	20	SUSPENSION BEARING SHORT	DU/3/20
6	SOLO/DUO FOOT REST ASSEMBLY	DU/3/6	19	M10 PLAIN WASHER ST STL	DU/3/19
5	SOLO/DUO SEAT ASSEMBLY	DU/3/5	18	M10 STAINLESS STEEL NUT	DU/3/18
4	SOLO/DUO HARNESS ASSEMBLY	DU/3/4	17	M10 BRASS LOCK NUT	DU/3/17
3	M8x95 CARBON STEEL LOCKING PIN	DU/3/3	16	M6x20 ST STL CONICAL SINK SCREW	DU/3/16
2R	INTERFACE TUBE ASSEMBLY - RIGHT	DU/3/2R	15	M6 PLAIN WASHER ST STL	DU/3/15
2L	INTERFACE TUBE ASSEMBLY - LEFT	DU/3/2L	14	M6 ST STL NYLOC NUT	DU/3/14
1R	DUO MAIN FRAME ASSEMBLY - RIGHT SIDE	DU/3/1R	13	HINGE - STAINLESS STEEL	DU/3/13
1L	DUO MAIN FRAME ASSEMBLY - LEFT SIDE	DU/3/1L	12	LEFT HINGE BRACKET	DU/3/12

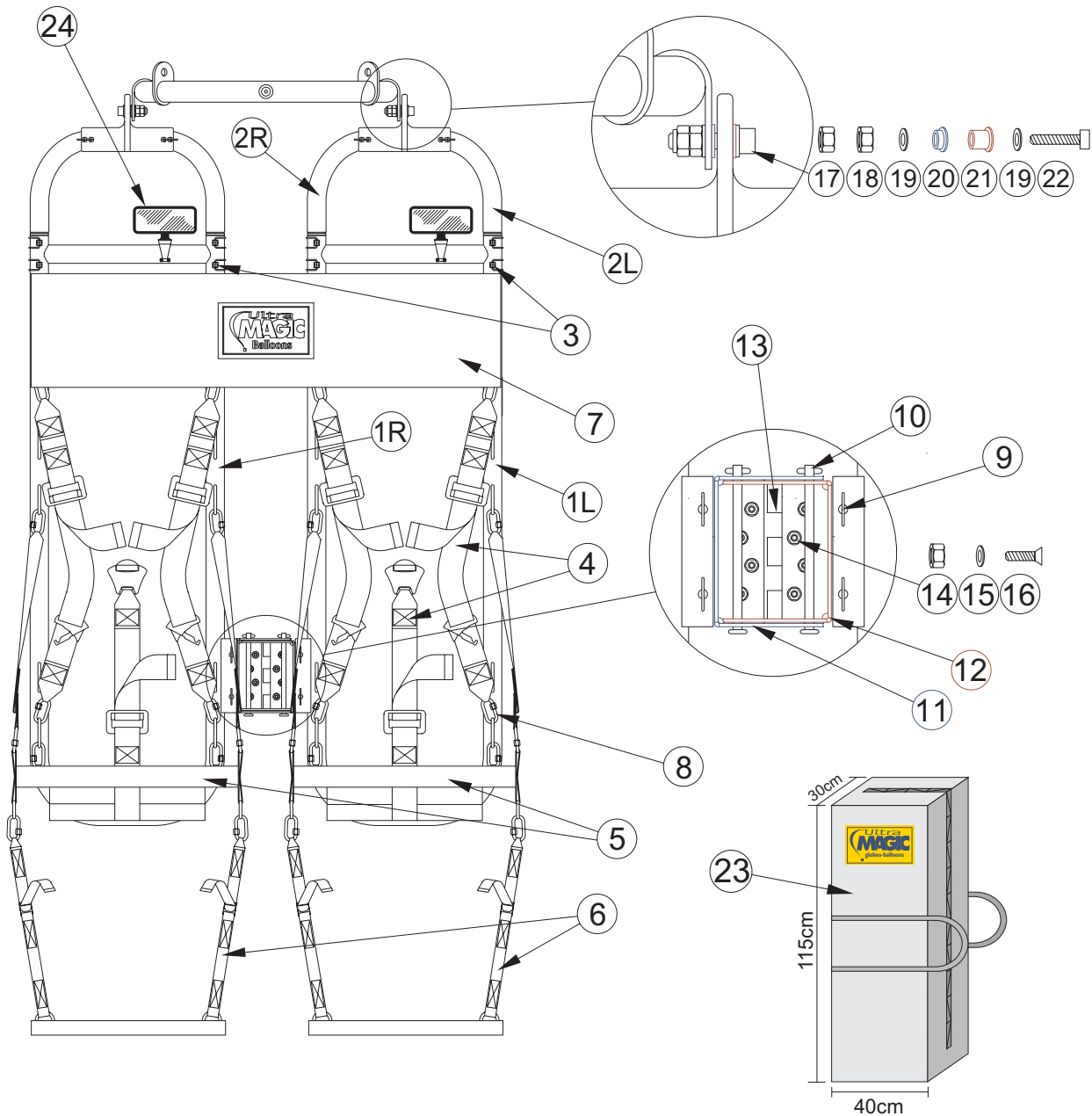
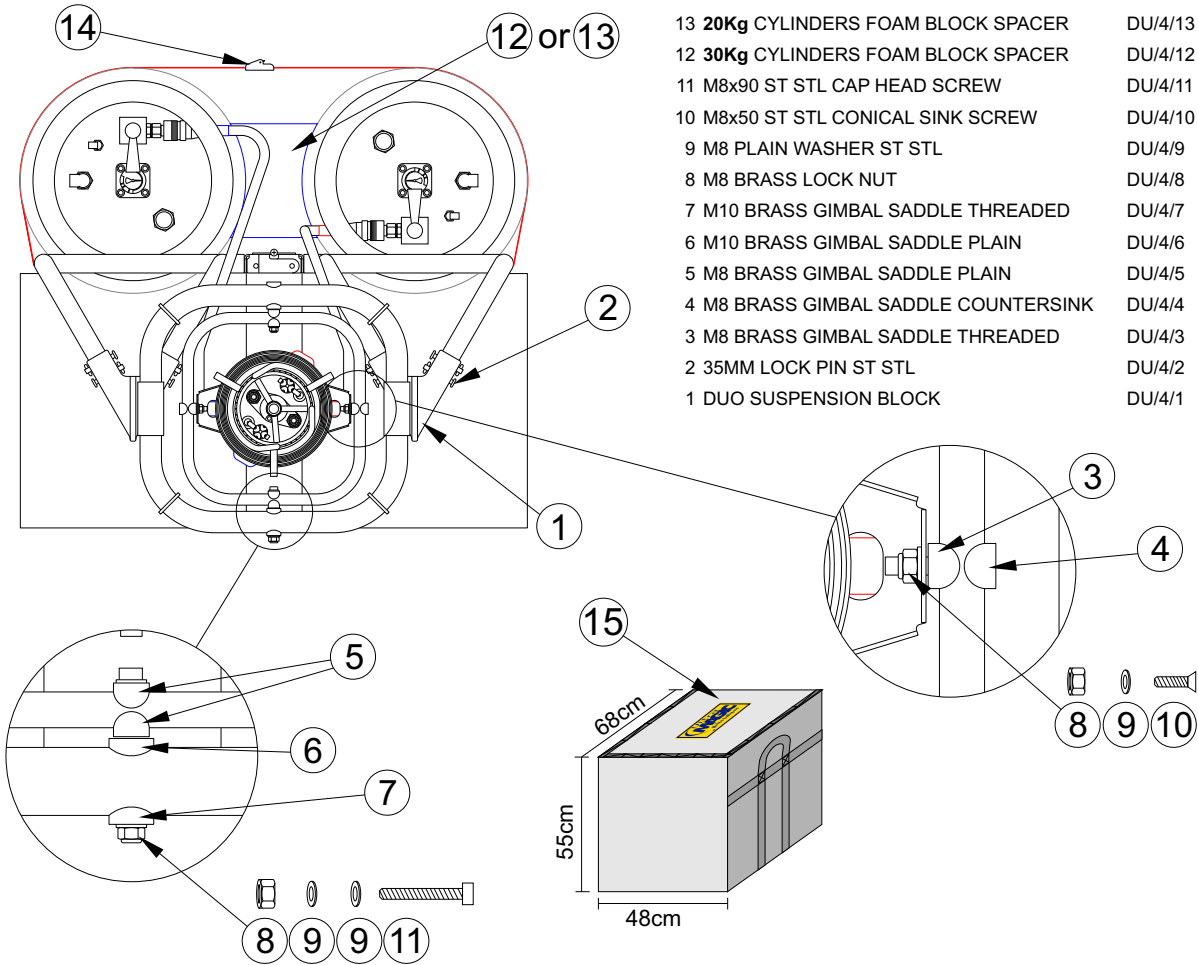


FIGURE 4
DUO BOTTOM END CONFIGURATION



ITEM	DESCRIPTION	PART No
15	DUO BURNER PADDED BAG	DU/4/15
14	SPECIAL CYLINDER STRAP WITH BUCKLE	DU/4/14
13	20Kg CYLINDERS FOAM BLOCK SPACER	DU/4/13
12	30Kg CYLINDERS FOAM BLOCK SPACER	DU/4/12
11	M8x90 ST STL CAP HEAD SCREW	DU/4/11
10	M8x50 ST STL CONICAL SINK SCREW	DU/4/10
9	M8 PLAIN WASHER ST STL	DU/4/9
8	M8 BRASS LOCK NUT	DU/4/8
7	M10 BRASS GIMBAL SADDLE THREADED	DU/4/7
6	M10 BRASS GIMBAL SADDLE PLAIN	DU/4/6
5	M8 BRASS GIMBAL SADDLE PLAIN	DU/4/5
4	M8 BRASS GIMBAL SADDLE COUNTERSINK	DU/4/4
3	M8 BRASS GIMBAL SADDLE THREADED	DU/4/3
2	35MM LOCK PIN ST STL	DU/4/2
1	DUO SUSPENSION BLOCK	DU/4/1

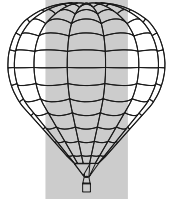
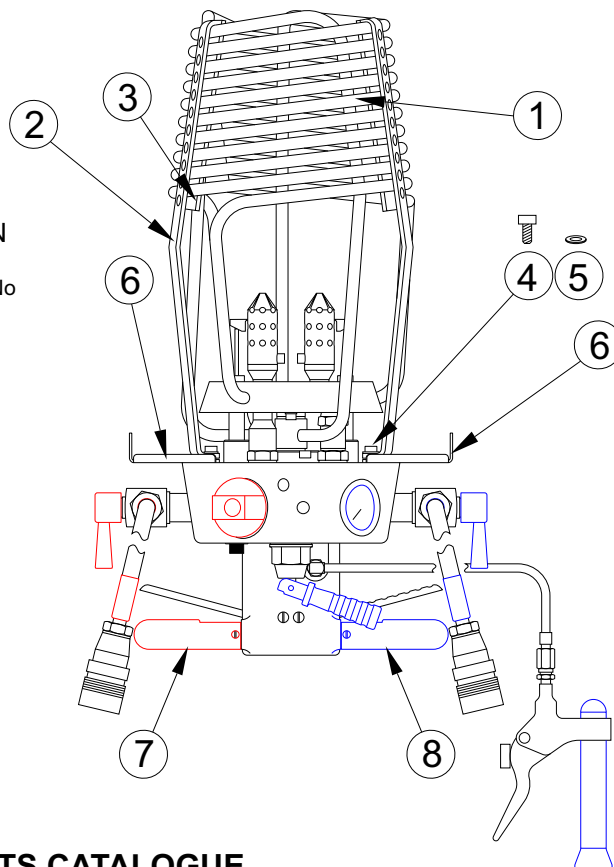
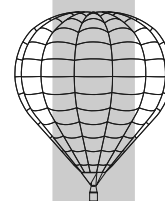


FIGURE 5
DUO SINGLE BURNER CONFIGURATION

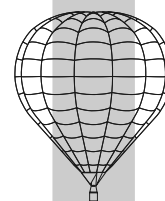
ITEM	DESCRIPTION	PART No
8	RIGHT HANDLE BLUE - SHORT VERSION	DU/5/8
7	LEFT HANDLE RED - SHORT VERSION	DU/5/7
6	BURNER MOUNTING BRACKET	DU/5/6
5	M6 WASHER ST STL	DU/5/5
4	M6x10 CAP HEAD SCREW ST STL	DU/5/4
3	COIL SUPPORT SHORT STD (INNER)	DU/5/3
2	DUO COIL SUPPORT LONG (OUTER)	DU/5/2
1	DUO COIL ASSEMBLY	DU/5/1



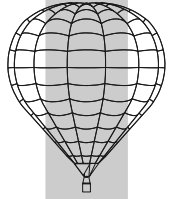
ALL DUO BURNER PARTS
SAME AS SOLO BURNER ON
PAGE 10.1 EXCEPT FOR THE
COIL AND HANDLES



Cat. no.	Part Number	Description	Unit
Page 10.1	Fig.1	Solo single burner configuration	
SL/1/1	CR-25-0500	Solo coil assembly - short version	1
SL/1/2	CR-25-0513	Solo coil support long (outer)	1
SL/1/3	CR-25-0514	Solo coil support short (inner)	1
SL/1/4	CR-25-0012	Coil support spacer	1
SL/1/5	MA-FE-0449	M6 x 30 cap head screw stainless steel	1
SL/1/6	MA-FE-0090	M6 stainless steel plain washer	1
SL/1/7	CR-25-0010	Burner mounting bracket	1
SL/1/8	CR-25-0011	Burner mounting bracket long	1
SL/1/9	CR-25-0600	Left isolation valve	1
SL/1/10	CR-25-0700	Right isolation valve	1
SL/1/11	MA-FE-0600	3/8" bonded washer	1
SL/1/12	CR-C-0430	Left isolation valve handle color red	1
SL/1/13	BO-FP-0140	Right isolation valve handle color blue	1
SL/1/14	CR-21-0312	Handle post	1
SL/1/15	CR-21-0320	Handle post long - hydraulic version	1
Page 10.1	Fig.2	Solo bottom end configuration	
SL/2/1	SL-A-0200	Main frame assembly	1
SL/2/2	SL-A-0300	Burner frame assembly	1
SL/2/3	SL-A-0500	Mirror assembly	1
SL/2/4	CR-03-0190	M8 brass lock nut	1
SL/2/5	VE-C-0270	M8 stainless steel nut	1
SL/2/6	MA-FE-0100	M8 plain washer stainless steel	1
SL/2/7	MA-FE-0270	M8 x 55 stainless steel cap head screw	1
SL/2/8	SL-C-0319	Mirror socket	1
SL/2/9	MA-FE-0509	M6 x 10 stainless steel cap head screw	1
SL/2/10	SL-A-0600	Solo head rest assembly	1
SL/2/11	SL-C-0050	M8 x 95 carbon steel locking pin	1
SL/2/12	SL-A-0400	Solo/Duo harness assembly	1
SL/2/13	SL-A-1000	Solo/Duo seat assembly	1
SL/2/14	EM-01-0120	5mm 2250kg rapid link	1
SL/2/15	SL-A-0700	Solo/Duo foot rest assembly	1
SL/2/16	SL-C-0317	Burner lock pin	1
SL/2/17	SL-C-0010	Spring type D21730	1
SL/2/18	SL-A-3200	Solo main frame bag	1
SL/2/19	SL-A-3300	Solo burner padded bag	1
Page 10.2	Fig.3	Duo bottom end configuration	
DU/3/1L	DU-A-0200	Duo main frame assembly - left side	1
DU/3/1R	DU-A-0100	Duo main frame assembly - right side	1
DU/3/2L	DU-A-0600	Interface tube assembly - left	1
DU/3/2R	DU-A-0500	Interface tube assembly - right	1
DU/3/3	SL-C-0050	M8 x 95 carbon steel locking pin	1
DU/3/4	SL-A-0400	Solo/Duo harness assembly	1
DU/3/5	SL-A-1000	Solo/Duo seat assembly	1
DU/3/6	SL-A-0700	Solo/Duo foot rest assembly	1
DU/3/7	DU-A-0800	Duo head rest assembly	1
DU/3/8	EM-01-0120	5mm 2250Kg rapid link	1
DU/3/9	DU-C-0025	50mm lock pin stainless steel	1
DU/3/10	DU-C-0014	Modified lock pin stainless steel - long	1
DU/3/11	DU-C-0710	Right hinge bracket	1
DU/3/12	DU-C-0711	Left hinge bracket	1



Cat. no.	Part Number	Description	Unit
Page 10.2	Fig.3	Duo bottom end configuration	
DU/3/13	DU-C-0713	Hinge - stainless steel	1
DU/3/14	VE-C-0250	M6 stainless steel nyloc nut	1
DU/3/15	CR-03-0010	M6 stainless steel plain washer	1
DU/3/16	CR-C-0240	M6x20 stainless steel conical sink screw	1
DU/3/17	MA-FE-0532	M10 brass lock nut	1
DU/3/18	QU-C-0110	M10 stainless steel nut	1
DU/3/19	MA-FE-0100	M10 stainless steel plain washer	1
DU/3/20	DU-C-0013	Suspension bearing short	1
DU/3/21	DU-C-0012	Suspension bearing long	1
DU/3/22	MA-FE-0403	M10x45 stainless steel cap head screw	1
DU/3/23	DU-A-3200	Duo main frame transportation bag	1
DU/3/24	DU-C-1110	Mirror assembly	1
Page 10.3	Fig.4	Duo bottom end configuration	
DU/4/1	DU-C-0011	Duo suspension block	1
DU/4/2	DU-C-0035	35mm lock pin stainless steel	1
DU/4/3	QU-C-0160	M8 brass gimbal saddle threaded	1
DU/4/4	QU-C-0130	M8 brass gimbal saddle countersink	1
DU/4/5	QU-C-0140	M8 brass gimbal saddle plain	1
DU/4/6	QU-C-0150	M10 brass gimbal saddle plain	1
DU/4/7	QU-C-0170	M10 brass gimbal saddle threaded	1
DU/4/8	CR-03-0190	M8 brass lock nut	1
DU/4/9	MA-FE-0100	M8 stainless steel plain washer	1
DU/4/10	QU-C-0050	M8x50 stainless steel conical sink screw	1
DU/4/11	MA-FE-0300	M8x90 stainless steel cap head screw	1
DU/4/12	DU-A-0400	30kg cylinders foam block spacer	1
DU/4/13	DU-A-0400	20kg cylinders foam block spacer	1
DU/4/14	DU-C-0016	Special cylinder strap with buckle	1
DU/4/15	DU-A-3300	Duo burner padded bag	1
Page 10.3	Fig.5	Duo single burner configuration	
DU/5/1	CR-26-0500	Duo coil assembly	1
DU/5/2	CR-26-0513	Duo coil support long (outer)	1
DU/5/3	CR-22-0514	Coil support standard (inner)	1
DU/5/4	MA-FE-0509	M6x10 stainless steel cap head screw	1
DU/5/5	MA-FE-0090	M6 stainless steel plain washer	1
DU/5/6	CR-25-0010	Burner mounting bracket	1
DU/5/7	CR-26-0013	Left handle red - short version	1
DU/5/8	CR-26-0013	Right handle blue - short version	1



**A
C
C
E
S
S
O
R
I
E
S**



AC-1 Quick Release
Bonanno



AC-2 Gas refuel Filter
GOK



AC-3 Gas refuel Filter
with cristal - Bonanno



AC-4 Top cylinders
protection - 30Kg & 40 Kg



AC-5 Top cylinders
protection - 20Kg



AC-6 First Aid & Fire
Extinguisher padded bags



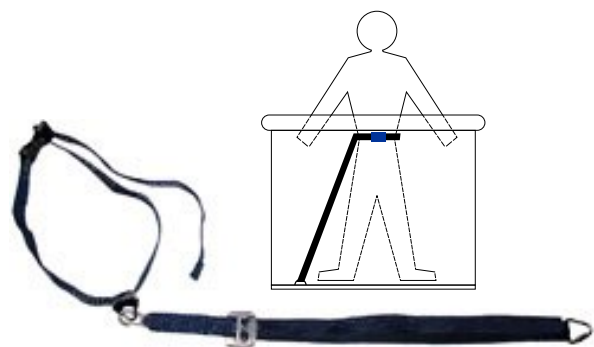
AC-8 Pilot bag - Large



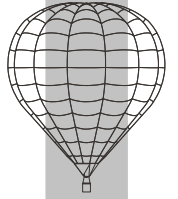
AC-9A 1Kg Fire
extinguisher



AC-9B 2Kg Fire
extinguisher



AC-10 Pilot security
Harness



**A
C
C
E
S
S
O
R
I
E
S**



AC-11 MK-21 Tools kit bag



AC-12 MK-21 Spares kit box



AC-13 Drop Line 50 meters



AC-7 MK-21 basic maintenance kit



AC-14 Drop Line 25 meters



AC-15 Safety Refueling gas kit
3 meters long



AC-16 Glasses and cava transportation bag



AC-17 Nylon fabric grab test machine



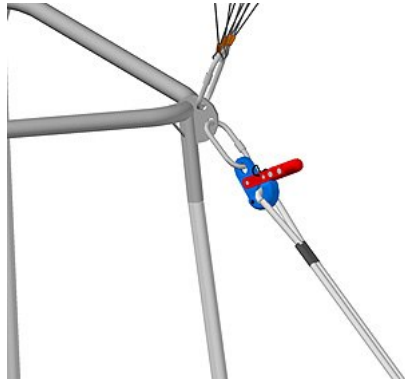
AC-18 8mm to 4mm rope reduction knot protection



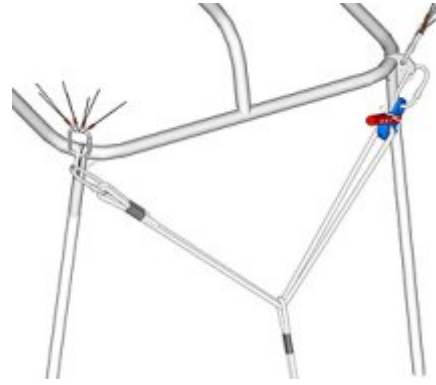
AC-19 Molykote 111 compound grease - 100ml



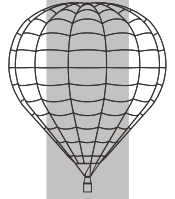
AC-20 Long time burning safety matches



AC-21 Quick release standard
10 mts long



AC-22 Quick release "Y" type
10 mts long



Cat. no.	Part Number	Description	Unit
Page A.1			
AC-1	EM-C-0250	Quick release Bonanno	1
AC-2	CR-02-0100	Gas refuel filter - GOK	1
AC-3	CR-07-0145	Gas refuel filter with cristal view - Bonanno	1
AC-4	BO-C-0010	Top cylinders protection - 30Kg & 40Kg	1
AC-5	BO-C-0011	Top cylinders protection - 20Kg	1
AC-6	AR-BO-0802	First Aid & Fire extinguisher padded bag	1
AC-8	AR-BO-0400	Pilot bag - large	1
AC-9A	CI-C-0251	Fire extinguisher - 1Kg - Aluminium	1
AC-9B	CI-C-0252	Fire extinguisher - 2Kg - Aluminium	1
AC-10	CI-C-0910	Pilot security harness	1
Page A.2			
AC-7	AR-BO-0799	MK-21 basic maintenance kit	1
AC-11	AR-BO-0805	MK-21 tools kit bag - 15 tools	1
AC-12	AR-BO-0800	MK-21 spares kit box	1
AC-13	EM-C-0160	Drop line - 50 mts	1
AC-14	EM-C-0150	Drop line - 25 mts	1
AC-15	BO-C-0305	Safety refueling gas kit - 3 mts	1
AC-16	AR-BO-0420	Glasses and cava transportation bag - 10 glasses	1
AC-17	EM-PT-0010	Nylon fabric grab test machine	1
AC-18	EM-04-0160	8 to 4mm rope reduction knot protection	1
AC-19	CR-C-2009	Molykote 111 compound grease - 100ml tube	1
AC-20	AR-BO-0730	Long time burning safety matches	1
Page A.3			
AC-21	EM-C-0251	Quick release standard 10 mts long	1
AC-22	EM-C-0252	Quick release "Y" type 10 mts long	1